

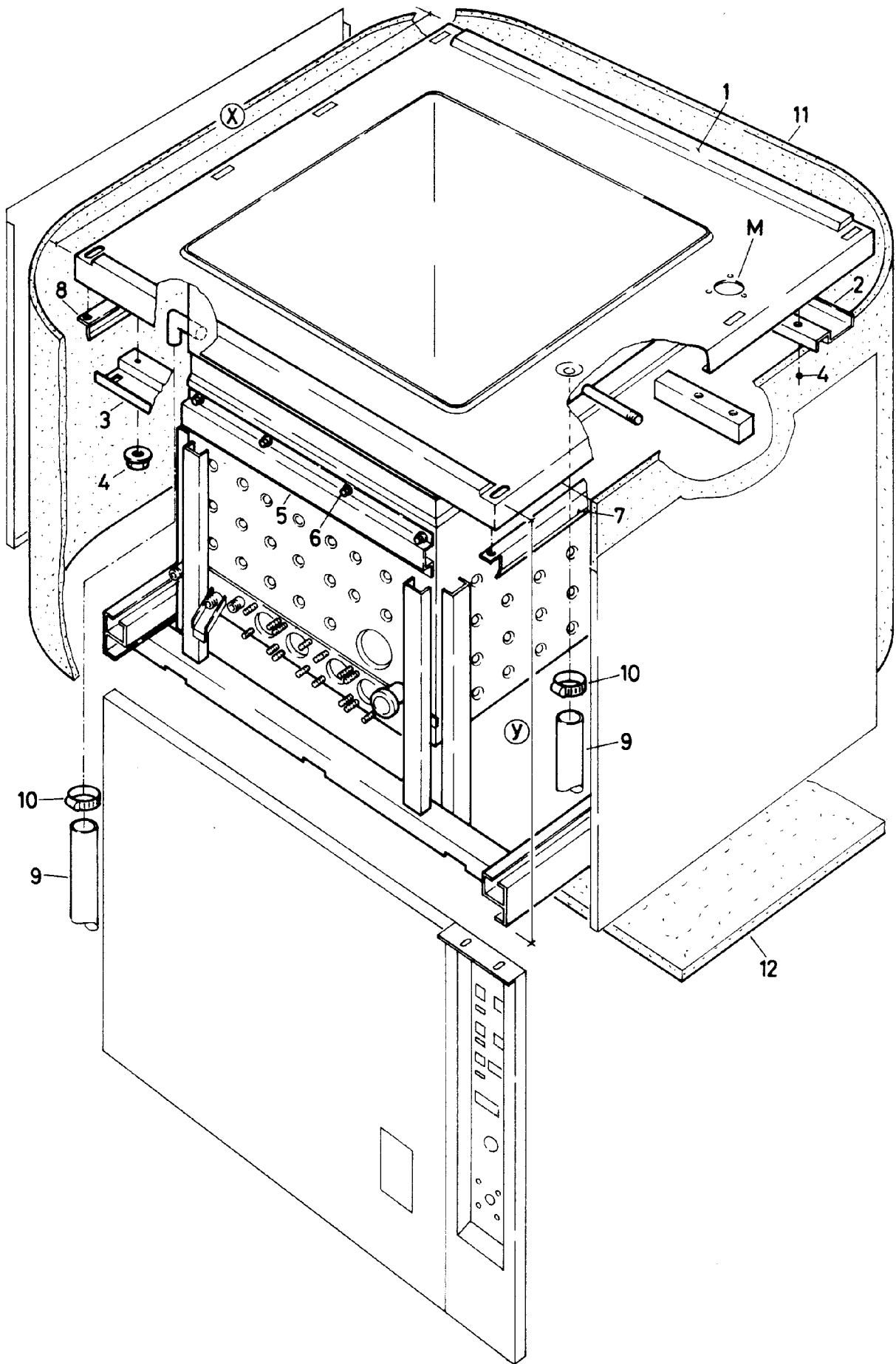
**Ersatzteillisten  
Listes des pièces de rechange  
Liste dei pezzi di ricambio  
Spare parts lists**

**STANDKOCHKESSEL  
MARMITES FIXES  
PENTOLE FISSE  
STATIONARY BOILING PANS**

**THERMETIC  
BEN-E / S / H  
PEN-E / S / H**

**D, F, I, GB**

**76.9274 (10)**



| Doc. No.   | Index | Issue | DE        | FR      | IT       | GB     | Seite/ Page/ Pagina/ Page |  |  |  |  |  |  |  |  |
|------------|-------|-------|-----------|---------|----------|--------|---------------------------|--|--|--|--|--|--|--|--|
| 76.9274.01 |       | 12/97 | Baugruppe | Unité   | Unità    | Unit   | 1                         |  |  |  |  |  |  |  |  |
| BEN-E      |       |       | Kessel    | Marmite | Marmitta | Kettle |                           |  |  |  |  |  |  |  |  |

| Pos. | Product No. | Service No. | Bezeichnung | Désignation | Designazione | Designation | Type | x   | y   | M | 80 | 150 | 200 | 300 | 400 | Introduc-tion |
|------|-------------|-------------|-------------|-------------|--------------|-------------|------|-----|-----|---|----|-----|-----|-----|-----|---------------|
| 1    | 76.5011.01  |             | Kessel      | marmite     | marmitta     | kettle      |      | 800 | 700 |   | 1  |     |     |     |     | 12/97         |
|      | 76.5011.02  |             | Kessel      | marmite     | marmitta     | kettle      |      | 800 | 700 |   |    | 1   |     |     |     | 12/97         |
|      | 76.5011.03  |             | Kessel      | marmite     | marmitta     | kettle      |      | 800 | 700 |   |    |     | 1   |     |     | 12/97         |
|      | 76.5011.04  |             | Kessel      | marmite     | marmitta     | kettle      |      | 800 | 700 |   |    |     |     | 1   |     | 12/97         |
|      | 76.5011.05  |             | Kessel      | marmite     | marmitta     | kettle      |      | 800 | 700 |   |    |     |     |     | 1   | 12/97         |
|      | 76.5011.06  |             | Kessel      | marmite     | marmitta     | kettle      |      | 900 | 700 |   | 1  |     |     |     |     | 12/97         |
|      | 76.5011.07  |             | Kessel      | marmite     | marmitta     | kettle      |      | 900 | 700 |   |    | 1   |     |     |     | 12/97         |
|      | 76.5011.08  |             | Kessel      | marmite     | marmitta     | kettle      |      | 900 | 700 |   |    |     | 1   |     |     | 12/97         |
|      | 76.5011.09  |             | Kessel      | marmite     | marmitta     | kettle      |      | 900 | 700 |   |    |     |     | 1   |     | 12/97         |
|      | 76.5011.10  |             | Kessel      | marmite     | marmitta     | kettle      |      | 900 | 700 |   |    |     |     |     | 1   | 12/97         |
|      | 76.5011.11  |             | Kessel      | marmite     | marmitta     | kettle      |      | 800 | 700 | M | 1  |     |     |     |     | 12/97         |
|      | 76.5011.12  |             | Kessel      | marmite     | marmitta     | kettle      |      | 800 | 700 | M |    | 1   |     |     |     | 12/97         |
|      | 76.5011.13  |             | Kessel      | marmite     | marmitta     | kettle      |      | 800 | 700 | M |    |     | 1   |     |     | 12/97         |
|      | 76.5011.14  |             | Kessel      | marmite     | marmitta     | kettle      |      | 800 | 700 | M |    |     |     | 1   |     | 12/97         |
|      | 76.5011.15  |             | Kessel      | marmite     | marmitta     | kettle      |      | 800 | 700 | M |    |     |     |     | 1   | 12/97         |
|      | 76.5011.16  |             | Kessel      | marmite     | marmitta     | kettle      |      | 900 | 700 | M | 1  |     |     |     |     | 12/97         |
|      | 76.5011.17  |             | Kessel      | marmite     | marmitta     | kettle      |      | 900 | 700 | M |    | 1   |     |     |     | 12/97         |
|      | 76.5011.18  |             | Kessel      | marmite     | marmitta     | kettle      |      | 900 | 700 | M |    |     | 1   |     |     | 12/97         |
|      | 76.5011.19  |             | Kessel      | marmite     | marmitta     | kettle      |      | 900 | 700 | M |    |     |     | 1   |     | 12/97         |
|      | 76.5011.20  |             | Kessel      | marmite     | marmitta     | kettle      |      | 900 | 700 | M |    |     |     |     | 1   | 12/97         |
|      | 76.5011.21  |             | Kessel      | marmite     | marmitta     | kettle      |      | 800 | 800 |   | 1  |     |     |     |     | 12/97         |
|      | 76.5011.22  |             | Kessel      | marmite     | marmitta     | kettle      |      | 800 | 800 |   |    | 1   |     |     |     | 12/97         |
|      | 76.5011.23  |             | Kessel      | marmite     | marmitta     | kettle      |      | 800 | 800 |   |    |     | 1   |     |     | 12/97         |
|      | 76.5011.24  |             | Kessel      | marmite     | marmitta     | kettle      |      | 800 | 800 |   |    |     |     | 1   |     | 12/97         |
|      | 76.5011.25  |             | Kessel      | marmite     | marmitta     | kettle      |      | 800 | 800 |   |    |     |     |     | 1   | 12/97         |
|      | 76.5011.26  |             | Kessel      | marmite     | marmitta     | kettle      |      | 900 | 800 |   | 1  |     |     |     |     | 12/97         |
|      | 76.5011.27  |             | Kessel      | marmite     | marmitta     | kettle      |      | 900 | 800 |   |    | 1   |     |     |     | 12/97         |
|      | 76.5011.28  |             | Kessel      | marmite     | marmitta     | kettle      |      | 900 | 800 |   |    |     | 1   |     |     | 12/97         |
|      | 76.5011.29  |             | Kessel      | marmite     | marmitta     | kettle      |      | 900 | 800 |   |    |     |     | 1   |     | 12/97         |
|      | 76.5011.30  |             | Kessel      | marmite     | marmitta     | kettle      |      | 900 | 800 |   |    |     |     |     | 1   | 12/97         |
|      | 76.5011.31  |             | Kessel      | marmite     | marmitta     | kettle      |      | 800 | 800 | M | 1  |     |     |     |     | 12/97         |
|      | 76.5011.32  |             | Kessel      | marmite     | marmitta     | kettle      |      | 800 | 800 | M |    | 1   |     |     |     | 12/97         |

| Doc. No.   | Index | Issue | DE        | FR      | IT       | GB     | Seite/ Page/ Pagina/ Page |  |  |  |  |  |  |
|------------|-------|-------|-----------|---------|----------|--------|---------------------------|--|--|--|--|--|--|
| 76.9274.01 |       | 12/97 | Baugruppe | Unité   | Unità    | Unit   | 2                         |  |  |  |  |  |  |
| BEN-E      |       |       | Kessel    | Marmite | Marmitta | Kettle |                           |  |  |  |  |  |  |

| Pos. | Product No. | Service No. | Bezeichnung | Désignation | Designatione | Designation | Type | x   | y   | M | 80 | 150 | 200 | 300 | 400 | Introduc-tion |
|------|-------------|-------------|-------------|-------------|--------------|-------------|------|-----|-----|---|----|-----|-----|-----|-----|---------------|
| 1    | 76.5011.33  |             | Kessel      | marmite     | marmitta     | kettle      |      | 800 | 800 | M |    |     | 1   |     |     | 12/97         |
|      | 76.5011.34  |             | Kessel      | marmite     | marmitta     | kettle      |      | 800 | 800 | M |    |     |     | 1   |     | 12/97         |
|      | 76.5011.35  |             | Kessel      | marmite     | marmitta     | kettle      |      | 800 | 800 | M |    |     |     |     | 1   | 12/97         |
|      | 76.5011.36  |             | Kessel      | marmite     | marmitta     | kettle      |      | 900 | 800 | M | 1  |     |     |     |     | 12/97         |
|      | 76.5011.37  |             | Kessel      | marmite     | marmitta     | kettle      |      | 900 | 800 | M |    | 1   |     |     |     | 12/97         |
|      | 76.5011.38  |             | Kessel      | marmite     | marmitta     | kettle      |      | 900 | 800 | M |    |     | 1   |     |     | 12/97         |
|      | 76.5011.39  |             | Kessel      | marmite     | marmitta     | kettle      |      | 900 | 800 | M |    |     |     | 1   |     | 12/97         |
|      | 76.5011.40  |             | Kessel      | marmite     | marmitta     | kettle      |      | 900 | 800 | M |    |     |     |     | 1   | 12/97         |

| Doc. No.   | Index | Issue | DE        | FR      | IT       | GB     | Seite/ Page/ Pagina/ Page |  |  |  |  |  |
|------------|-------|-------|-----------|---------|----------|--------|---------------------------|--|--|--|--|--|
| 76.9274.01 |       | 12/97 | Baugruppe | Unité   | Unità    | Unit   | 3                         |  |  |  |  |  |
| BEN-S      |       |       | Kessel    | Marmite | Marmitta | Kettle |                           |  |  |  |  |  |

| Pos. | Product No. | Service No. | Bezeichnung | Désignation | Designazione | Designation | Type | x   | y   | M | 80 | 150 | 200 | 300 | 400 | Introduc-tion |
|------|-------------|-------------|-------------|-------------|--------------|-------------|------|-----|-----|---|----|-----|-----|-----|-----|---------------|
| 1    | 76.5318.01  |             | Kessel      | marmite     | marmitta     | kettle      |      | 800 | 700 |   | 1  |     |     |     |     | 12/97         |
|      | 76.5318.02  |             | Kessel      | marmite     | marmitta     | kettle      |      | 800 | 700 |   |    | 1   |     |     |     | 12/97         |
|      | 76.5318.03  |             | Kessel      | marmite     | marmitta     | kettle      |      | 800 | 700 |   |    |     | 1   |     |     | 12/97         |
|      | 76.5318.04  |             | Kessel      | marmite     | marmitta     | kettle      |      | 800 | 700 |   |    |     |     | 1   |     | 12/97         |
|      | 76.5318.05  |             | Kessel      | marmite     | marmitta     | kettle      |      | 800 | 700 |   |    |     |     |     | 1   | 12/97         |
|      | 76.5318.06  |             | Kessel      | marmite     | marmitta     | kettle      |      | 900 | 700 |   | 1  |     |     |     |     | 12/97         |
|      | 76.5318.07  |             | Kessel      | marmite     | marmitta     | kettle      |      | 900 | 700 |   |    | 1   |     |     |     | 12/97         |
|      | 76.5318.08  |             | Kessel      | marmite     | marmitta     | kettle      |      | 900 | 700 |   |    |     | 1   |     |     | 12/97         |
|      | 76.5318.09  |             | Kessel      | marmite     | marmitta     | kettle      |      | 900 | 700 |   |    |     |     | 1   |     | 12/97         |
|      | 76.5318.10  |             | Kessel      | marmite     | marmitta     | kettle      |      | 900 | 700 |   |    |     |     |     | 1   | 12/97         |
|      | 76.5318.11  |             | Kessel      | marmite     | marmitta     | kettle      |      | 800 | 700 | M | 1  |     |     |     |     | 12/97         |
|      | 76.5318.12  |             | Kessel      | marmite     | marmitta     | kettle      |      | 800 | 700 | M |    | 1   |     |     |     | 12/97         |
|      | 76.5318.13  |             | Kessel      | marmite     | marmitta     | kettle      |      | 800 | 700 | M |    |     | 1   |     |     | 12/97         |
|      | 76.5318.14  |             | Kessel      | marmite     | marmitta     | kettle      |      | 800 | 700 | M |    |     |     | 1   |     | 12/97         |
|      | 76.5318.15  |             | Kessel      | marmite     | marmitta     | kettle      |      | 800 | 700 | M |    |     |     |     | 1   | 12/97         |
|      | 76.5318.16  |             | Kessel      | marmite     | marmitta     | kettle      |      | 900 | 700 | M | 1  |     |     |     |     | 12/97         |
|      | 76.5318.17  |             | Kessel      | marmite     | marmitta     | kettle      |      | 900 | 700 | M |    | 1   |     |     |     | 12/97         |
|      | 76.5318.18  |             | Kessel      | marmite     | marmitta     | kettle      |      | 900 | 700 | M |    |     | 1   |     |     | 12/97         |
|      | 76.5318.19  |             | Kessel      | marmite     | marmitta     | kettle      |      | 900 | 700 | M |    |     |     | 1   |     | 12/97         |
|      | 76.5318.20  |             | Kessel      | marmite     | marmitta     | kettle      |      | 900 | 700 | M |    |     |     |     | 1   | 12/97         |
|      | 76.5318.21  |             | Kessel      | marmite     | marmitta     | kettle      |      | 800 | 800 |   | 1  |     |     |     |     | 12/97         |
|      | 76.5318.22  |             | Kessel      | marmite     | marmitta     | kettle      |      | 800 | 800 |   |    | 1   |     |     |     | 12/97         |
|      | 76.5318.23  |             | Kessel      | marmite     | marmitta     | kettle      |      | 800 | 800 |   |    |     | 1   |     |     | 12/97         |
|      | 76.5318.24  |             | Kessel      | marmite     | marmitta     | kettle      |      | 800 | 800 |   |    |     |     | 1   |     | 12/97         |
|      | 76.5318.25  |             | Kessel      | marmite     | marmitta     | kettle      |      | 800 | 800 |   |    |     |     |     | 1   | 12/97         |
|      | 76.5318.26  |             | Kessel      | marmite     | marmitta     | kettle      |      | 900 | 800 |   | 1  |     |     |     |     | 12/97         |
|      | 76.5318.27  |             | Kessel      | marmite     | marmitta     | kettle      |      | 900 | 800 |   |    | 1   |     |     |     | 12/97         |
|      | 76.5318.28  |             | Kessel      | marmite     | marmitta     | kettle      |      | 900 | 800 |   |    |     | 1   |     |     | 12/97         |
|      | 76.5318.29  |             | Kessel      | marmite     | marmitta     | kettle      |      | 900 | 800 |   |    |     |     | 1   |     | 12/97         |
|      | 76.5318.30  |             | Kessel      | marmite     | marmitta     | kettle      |      | 900 | 800 |   |    |     |     |     | 1   | 12/97         |
|      | 76.5318.31  |             | Kessel      | marmite     | marmitta     | kettle      |      | 800 | 800 | M | 1  |     |     |     |     | 12/97         |
|      | 76.5318.32  |             | Kessel      | marmite     | marmitta     | kettle      |      | 800 | 800 | M |    | 1   |     |     |     | 12/97         |

| Doc. No.   | Index | Issue | DE        | FR      | IT       | GB     | Seite/ Page/ Pagina/ Page |  |  |  |  |  |  |
|------------|-------|-------|-----------|---------|----------|--------|---------------------------|--|--|--|--|--|--|
| 76.9274.01 |       | 12/97 | Baugruppe | Unité   | Unità    | Unit   | 4                         |  |  |  |  |  |  |
| BEN-S      |       |       | Kessel    | Marmite | Marmitta | Kettle |                           |  |  |  |  |  |  |

| Pos. | Product No. | Service No. | Bezeichnung | Désignation | Designatione | Designation | Type | x   | y   | M | 80 | 150 | 200 | 300 | 400 | Introduc-tion |
|------|-------------|-------------|-------------|-------------|--------------|-------------|------|-----|-----|---|----|-----|-----|-----|-----|---------------|
| 1    | 76.5318.33  |             | Kessel      | marmite     | marmitta     | kettle      |      | 800 | 800 | M |    |     | 1   |     |     | 12/97         |
|      | 76.5318.34  |             | Kessel      | marmite     | marmitta     | kettle      |      | 800 | 800 | M |    |     |     | 1   |     | 12/97         |
|      | 76.5318.35  |             | Kessel      | marmite     | marmitta     | kettle      |      | 800 | 800 | M |    |     |     |     | 1   | 12/97         |
|      | 76.5318.36  |             | Kessel      | marmite     | marmitta     | kettle      |      | 900 | 800 | M | 1  |     |     |     |     | 12/97         |
|      | 76.5318.37  |             | Kessel      | marmite     | marmitta     | kettle      |      | 900 | 800 | M |    | 1   |     |     |     | 12/97         |
|      | 76.5318.38  |             | Kessel      | marmite     | marmitta     | kettle      |      | 900 | 800 | M |    |     | 1   |     |     | 12/97         |
|      | 76.5318.39  |             | Kessel      | marmite     | marmitta     | kettle      |      | 900 | 800 | M |    |     |     | 1   |     | 12/97         |
|      | 76.5318.40  |             | Kessel      | marmite     | marmitta     | kettle      |      | 900 | 800 | M |    |     |     |     | 1   | 12/97         |

| Doc. No.   | Index | Issue | DE        | FR      | IT       | GB     | Seite/ Page/ Pagina/ Page |  |  |  |  |  |  |  |
|------------|-------|-------|-----------|---------|----------|--------|---------------------------|--|--|--|--|--|--|--|
| 76.9274.01 |       | 12/97 | Baugruppe | Unité   | Unità    | Unit   | 5                         |  |  |  |  |  |  |  |
| PEN-E      |       |       | Kessel    | Marmite | Marmitta | Kettle |                           |  |  |  |  |  |  |  |

| Pos. | Product No. | Service No. | Bezeichnung | Désignation | Designazione | Designation | Type | x   | y   | M | 80 | 150 | 200 | 300 | Introduc-tion |
|------|-------------|-------------|-------------|-------------|--------------|-------------|------|-----|-----|---|----|-----|-----|-----|---------------|
| 1    | 76.5014.01  |             | Kessel      | marmite     | marmitta     | kettle      |      | 800 | 700 |   | 1  |     |     |     | 12/97         |
|      | 76.5014.02  |             | Kessel      | marmite     | marmitta     | kettle      |      | 800 | 700 |   |    | 1   |     |     | 12/97         |
|      | 76.5014.03  |             | Kessel      | marmite     | marmitta     | kettle      |      | 800 | 700 |   |    |     | 1   |     | 12/97         |
|      | 76.5014.04  |             | Kessel      | marmite     | marmitta     | kettle      |      | 800 | 700 |   |    |     |     | 1   | 12/97         |
|      | 76.5014.05  |             | Kessel      | marmite     | marmitta     | kettle      |      | 900 | 700 |   | 1  |     |     |     | 12/97         |
|      | 76.5014.06  |             | Kessel      | marmite     | marmitta     | kettle      |      | 900 | 700 |   |    | 1   |     |     | 12/97         |
|      | 76.5014.07  |             | Kessel      | marmite     | marmitta     | kettle      |      | 900 | 700 |   |    |     | 1   |     | 12/97         |
|      | 76.5014.08  |             | Kessel      | marmite     | marmitta     | kettle      |      | 900 | 700 |   |    |     |     | 1   | 12/97         |
|      | 76.5014.09  |             | Kessel      | marmite     | marmitta     | kettle      |      | 800 | 700 | M | 1  |     |     |     | 12/97         |
|      | 76.5014.10  |             | Kessel      | marmite     | marmitta     | kettle      |      | 800 | 700 | M |    | 1   |     |     | 12/97         |
|      | 76.5014.11  |             | Kessel      | marmite     | marmitta     | kettle      |      | 800 | 700 | M |    |     | 1   |     | 12/97         |
|      | 76.5014.12  |             | Kessel      | marmite     | marmitta     | kettle      |      | 800 | 700 | M |    |     |     | 1   | 12/97         |
|      | 76.5014.13  |             | Kessel      | marmite     | marmitta     | kettle      |      | 900 | 700 | M | 1  |     |     |     | 12/97         |
|      | 76.5014.14  |             | Kessel      | marmite     | marmitta     | kettle      |      | 900 | 700 | M |    | 1   |     |     | 12/97         |
|      | 76.5014.15  |             | Kessel      | marmite     | marmitta     | kettle      |      | 900 | 700 | M |    |     | 1   |     | 12/97         |
|      | 76.5014.16  |             | Kessel      | marmite     | marmitta     | kettle      |      | 900 | 700 | M |    |     |     | 1   | 12/97         |
|      | 76.5014.21  |             | Kessel      | marmite     | marmitta     | kettle      |      | 800 | 800 |   | 1  |     |     |     | 12/97         |
|      | 76.5014.22  |             | Kessel      | marmite     | marmitta     | kettle      |      | 800 | 800 |   |    | 1   |     |     | 12/97         |
|      | 76.5014.23  |             | Kessel      | marmite     | marmitta     | kettle      |      | 800 | 800 |   |    |     | 1   |     | 12/97         |
|      | 76.5014.24  |             | Kessel      | marmite     | marmitta     | kettle      |      | 800 | 800 |   |    |     |     | 1   | 12/97         |
|      | 76.5014.25  |             | Kessel      | marmite     | marmitta     | kettle      |      | 900 | 800 |   | 1  |     |     |     | 12/97         |
|      | 76.5014.26  |             | Kessel      | marmite     | marmitta     | kettle      |      | 900 | 800 |   |    | 1   |     |     | 12/97         |
|      | 76.5014.27  |             | Kessel      | marmite     | marmitta     | kettle      |      | 900 | 800 |   |    |     | 1   |     | 12/97         |
|      | 76.5014.28  |             | Kessel      | marmite     | marmitta     | kettle      |      | 900 | 800 |   |    |     |     | 1   | 12/97         |
|      | 76.5014.29  |             | Kessel      | marmite     | marmitta     | kettle      |      | 800 | 800 | M | 1  |     |     |     | 12/97         |
|      | 76.5014.30  |             | Kessel      | marmite     | marmitta     | kettle      |      | 800 | 800 | M |    | 1   |     |     | 12/97         |
|      | 76.5014.31  |             | Kessel      | marmite     | marmitta     | kettle      |      | 800 | 800 | M |    |     | 1   |     | 12/97         |
|      | 76.5014.32  |             | Kessel      | marmite     | marmitta     | kettle      |      | 800 | 800 | M |    |     |     | 1   | 12/97         |
|      | 76.5014.33  |             | Kessel      | marmite     | marmitta     | kettle      |      | 900 | 800 | M | 1  |     |     |     | 12/97         |
|      | 76.5014.34  |             | Kessel      | marmite     | marmitta     | kettle      |      | 900 | 800 | M |    | 1   |     |     | 12/97         |
|      | 76.5014.35  |             | Kessel      | marmite     | marmitta     | kettle      |      | 900 | 800 | M |    |     | 1   |     | 12/97         |
|      | 76.5014.36  |             | Kessel      | marmite     | marmitta     | kettle      |      | 900 | 800 | M |    |     |     | 1   | 12/97         |

| Doc. No.   | Index | Issue | DE        | FR      | IT       | GB     | Seite/ Page/ Pagina/ Page |  |  |  |  |  |
|------------|-------|-------|-----------|---------|----------|--------|---------------------------|--|--|--|--|--|
| 76.9274.01 |       | 12/97 | Baugruppe | Unité   | Unità    | Unit   | 6                         |  |  |  |  |  |
| PEN-S      |       |       | Kessel    | Marmite | Marmitta | Kettle |                           |  |  |  |  |  |

| Pos. | Product No. | Service No. | Bezeichnung | Désignation | Designazione | Designation | Type | x   | y   | M | 80 | 150 | 200 | 300 | Introduc-tion |
|------|-------------|-------------|-------------|-------------|--------------|-------------|------|-----|-----|---|----|-----|-----|-----|---------------|
| 1    | 76.5320.01  |             | Kessel      | marmite     | marmitta     | kettle      |      | 800 | 700 |   | 1  |     |     |     | 12/97         |
|      | 76.5320.02  |             | Kessel      | marmite     | marmitta     | kettle      |      | 800 | 700 |   |    | 1   |     |     | 12/97         |
|      | 76.5320.03  |             | Kessel      | marmite     | marmitta     | kettle      |      | 800 | 700 |   |    |     | 1   |     | 12/97         |
|      | 76.5320.04  |             | Kessel      | marmite     | marmitta     | kettle      |      | 800 | 700 |   |    |     |     | 1   | 12/97         |
|      | 76.5320.05  |             | Kessel      | marmite     | marmitta     | kettle      |      | 900 | 700 |   | 1  |     |     |     | 12/97         |
|      | 76.5320.06  |             | Kessel      | marmite     | marmitta     | kettle      |      | 900 | 700 |   |    | 1   |     |     | 12/97         |
|      | 76.5320.07  |             | Kessel      | marmite     | marmitta     | kettle      |      | 900 | 700 |   |    |     | 1   |     | 12/97         |
|      | 76.5320.08  |             | Kessel      | marmite     | marmitta     | kettle      |      | 900 | 700 |   |    |     |     | 1   | 12/97         |
|      | 76.5320.09  |             | Kessel      | marmite     | marmitta     | kettle      |      | 800 | 700 | M | 1  |     |     |     | 12/97         |
|      | 76.5320.10  |             | Kessel      | marmite     | marmitta     | kettle      |      | 800 | 700 | M |    | 1   |     |     | 12/97         |
|      | 76.5320.11  |             | Kessel      | marmite     | marmitta     | kettle      |      | 800 | 700 | M |    |     | 1   |     | 12/97         |
|      | 76.5320.12  |             | Kessel      | marmite     | marmitta     | kettle      |      | 800 | 700 | M |    |     |     | 1   | 12/97         |
|      | 76.5320.13  |             | Kessel      | marmite     | marmitta     | kettle      |      | 900 | 700 | M | 1  |     |     |     | 12/97         |
|      | 76.5320.14  |             | Kessel      | marmite     | marmitta     | kettle      |      | 900 | 700 | M |    | 1   |     |     | 12/97         |
|      | 76.5320.15  |             | Kessel      | marmite     | marmitta     | kettle      |      | 900 | 700 | M |    |     | 1   |     | 12/97         |
|      | 76.5320.16  |             | Kessel      | marmite     | marmitta     | kettle      |      | 900 | 700 | M |    |     |     | 1   | 12/97         |
|      | 76.5320.21  |             | Kessel      | marmite     | marmitta     | kettle      |      | 800 | 800 |   | 1  |     |     |     | 12/97         |
|      | 76.5320.22  |             | Kessel      | marmite     | marmitta     | kettle      |      | 800 | 800 |   |    | 1   |     |     | 12/97         |
|      | 76.5320.23  |             | Kessel      | marmite     | marmitta     | kettle      |      | 800 | 800 |   |    |     | 1   |     | 12/97         |
|      | 76.5320.24  |             | Kessel      | marmite     | marmitta     | kettle      |      | 800 | 800 |   |    |     |     | 1   | 12/97         |
|      | 76.5320.25  |             | Kessel      | marmite     | marmitta     | kettle      |      | 900 | 800 |   | 1  |     |     |     | 12/97         |
|      | 76.5320.26  |             | Kessel      | marmite     | marmitta     | kettle      |      | 900 | 800 |   |    | 1   |     |     | 12/97         |
|      | 76.5320.27  |             | Kessel      | marmite     | marmitta     | kettle      |      | 900 | 800 |   |    |     | 1   |     | 12/97         |
|      | 76.5320.28  |             | Kessel      | marmite     | marmitta     | kettle      |      | 900 | 800 |   |    |     |     | 1   | 12/97         |
|      | 76.5320.29  |             | Kessel      | marmite     | marmitta     | kettle      |      | 800 | 800 | M | 1  |     |     |     | 12/97         |
|      | 76.5320.30  |             | Kessel      | marmite     | marmitta     | kettle      |      | 800 | 800 | M |    | 1   |     |     | 12/97         |
|      | 76.5320.31  |             | Kessel      | marmite     | marmitta     | kettle      |      | 800 | 800 | M |    |     | 1   |     | 12/97         |
|      | 76.5320.32  |             | Kessel      | marmite     | marmitta     | kettle      |      | 800 | 800 | M |    |     |     | 1   | 12/97         |
|      | 76.5320.33  |             | Kessel      | marmite     | marmitta     | kettle      |      | 900 | 800 | M | 1  |     |     |     | 12/97         |
|      | 76.5320.34  |             | Kessel      | marmite     | marmitta     | kettle      |      | 900 | 800 | M |    | 1   |     |     | 12/97         |
|      | 76.5320.35  |             | Kessel      | marmite     | marmitta     | kettle      |      | 900 | 800 | M |    |     | 1   |     | 12/97         |
|      | 76.5320.36  |             | Kessel      | marmite     | marmitta     | kettle      |      | 900 | 800 | M |    |     |     | 1   | 12/97         |



| Doc. No.   | Index | Issue | DE        | FR      | IT       | GB     | Seite/ Page/ Pagina/ Page |  |  |  |  |  |  |  |
|------------|-------|-------|-----------|---------|----------|--------|---------------------------|--|--|--|--|--|--|--|
| 76.9274.01 |       | 12/97 | Baugruppe | Unité   | Unità    | Unit   | 7                         |  |  |  |  |  |  |  |
| BEN/PEN    |       |       | Kessel    | Marmite | Marmitta | Kettle |                           |  |  |  |  |  |  |  |

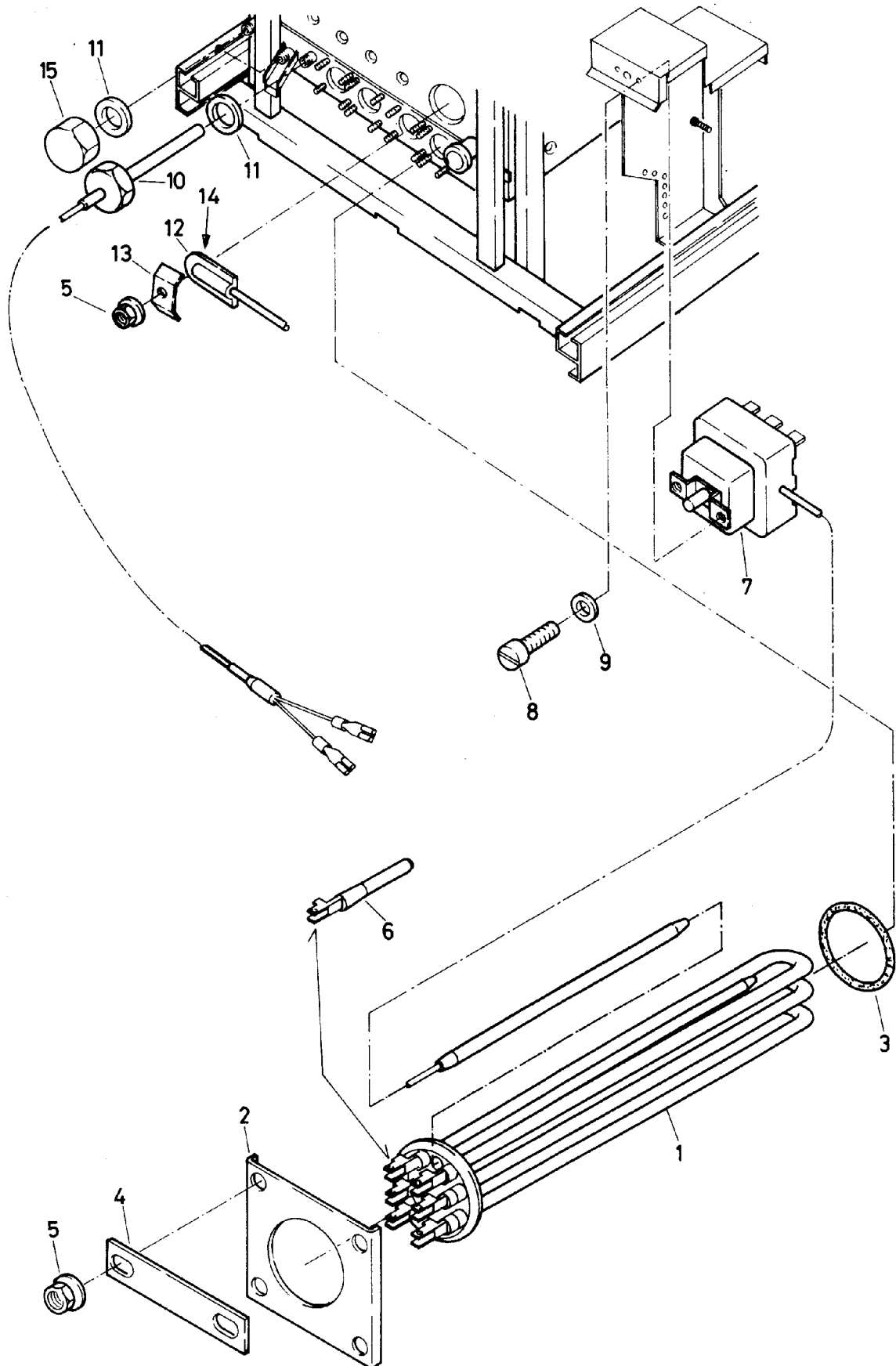
|    |                |           |             |                |                 |               |           |  |  |  |  |  |  |  |    |    |    |    |    |       |
|----|----------------|-----------|-------------|----------------|-----------------|---------------|-----------|--|--|--|--|--|--|--|----|----|----|----|----|-------|
| 2  | 76.5251.01     |           | Verstärkung | renforcement   | rinforzamento   | reinforcement |           |  |  |  |  |  |  |  | 1  |    |    |    |    | 12/97 |
|    | 76.5251.02     |           | Verstärkung | renforcement   | rinforzamento   | reinforcement |           |  |  |  |  |  |  |  | 1  |    |    |    |    | 12/97 |
|    | 76.5252.01     |           | Verstärkung | renforcement   | rinforzamento   | reinforcement |           |  |  |  |  |  |  |  |    | 1  | 1  |    |    | 12/97 |
|    | 76.5252.02     |           | Verstärkung | renforcement   | rinforzamento   | reinforcement |           |  |  |  |  |  |  |  |    | 1  | 1  |    |    | 12/97 |
|    | 76.5253.01     |           | Verstärkung | renforcement   | rinforzamento   | reinforcement |           |  |  |  |  |  |  |  |    |    |    |    | 1  | 12/97 |
|    | 76.5253.02     |           | Verstärkung | renforcement   | rinforzamento   | reinforcement |           |  |  |  |  |  |  |  |    |    |    |    | 1  | 12/97 |
|    | 76.5083.01     |           | Verstärkung | renforcement   | rinforzamento   | reinforcement |           |  |  |  |  |  |  |  |    |    |    |    | 1  | 12/97 |
|    | 76.5083.02     |           | Verstärkung | renforcement   | rinforzamento   | reinforcement |           |  |  |  |  |  |  |  |    |    |    |    | 1  | 12/97 |
| 3  | 76.5076        |           | Verstärkung | renforcement   | rinforzamento   | reinforcement |           |  |  |  |  |  |  |  | 1  |    |    |    |    | 12/97 |
|    | 76.5081        |           | Verstärkung | renforcement   | rinforzamento   | reinforcement |           |  |  |  |  |  |  |  |    | 1  | 1  |    |    | 12/97 |
|    | 76.5063        |           | Verstärkung | renforcement   | rinforzamento   | reinforcement |           |  |  |  |  |  |  |  |    |    |    |    | 1  | 12/97 |
|    | 76.5084        |           | Verstärkung | renforcement   | rinforzamento   | reinforcement |           |  |  |  |  |  |  |  |    |    |    |    | 1  | 12/97 |
| 4  | 712 044 120.05 | 1101 8576 | Mutter      | écrou          | dado            | nut           | M5        |  |  |  |  |  |  |  | 7  | 8  | 8  | 13 | 16 | 12/97 |
| 7  | 76.5158.01     |           | Führung     | guide          | guida           | guide         | 800       |  |  |  |  |  |  |  | 1  | 1  | 1  | 1  |    | 12/97 |
|    | 76.5159.01     |           | Führung     | guide          | guida           | guide         | 900       |  |  |  |  |  |  |  | 1  | 1  | 1  | 1  |    | 12/97 |
| 8  | 76.5158.02     |           | Führung     | guide          | guida           | guide         | 800       |  |  |  |  |  |  |  | 1  | 1  | 1  | 1  |    | 12/97 |
|    | 76.5159.01     |           | Führung     | guide          | guida           | guide         | 900       |  |  |  |  |  |  |  | 1  | 1  | 1  | 1  |    | 12/97 |
| 9  | 1117 1119      |           | Schlauch    | tuyau flexible | tubo flessibile | hose          | 29/22x800 |  |  |  |  |  |  |  | 2  | 2  | 2  | 2  | 2  | 12/97 |
| 10 | 1103 1770      |           | Bride       | bride          | brida           | shackle       |           |  |  |  |  |  |  |  | 4  | 4  | 4  | 4  | 4  | 12/97 |
| 11 | 76.2136.XX     |           | Isolation   | isolation      | isolamento      | insulation    |           |  |  |  |  |  |  |  | 01 | 02 | 03 | 04 | 05 | 6/98  |
| 12 | 76.2137.XX     |           | Isolation   | isolation      | isolamento      | insulation    |           |  |  |  |  |  |  |  | 01 | 02 | 02 | 03 | 04 | 6/98  |

| Doc. No.   | Index | Issue | DE        | FR      | IT       | GB     | Seite/ Page/ Pagina/ Page |  |  |  |  |  |
|------------|-------|-------|-----------|---------|----------|--------|---------------------------|--|--|--|--|--|
| 76.9274.01 |       | 12/97 | Baugruppe | Unité   | Unità    | Unit   | 8                         |  |  |  |  |  |
| JPEN-E     |       |       | Kessel    | Marmite | Marmitta | Kettle |                           |  |  |  |  |  |

| Pos. | Product No. | Service No. | Bezeichnung | Désignation | Designazione | Designation | Type | x   | y   | M | 80 | 150 | 200 | 300 | 400 | Introduc-tion |
|------|-------------|-------------|-------------|-------------|--------------|-------------|------|-----|-----|---|----|-----|-----|-----|-----|---------------|
| 1    | 76.5340.01  |             | Kessel      | marmite     | marmitta     | kettle      |      | 850 | 650 |   | 1  |     |     |     |     | 12/97         |
|      | 76.5340.02  |             | Kessel      | marmite     | marmitta     | kettle      |      | 850 | 650 |   |    | 1   |     |     |     | 12/97         |
|      | 76.5340.03  |             | Kessel      | marmite     | marmitta     | kettle      |      | 850 | 700 |   |    |     | 1   |     |     | 12/97         |
|      | 76.5340.04  |             | Kessel      | marmite     | marmitta     | kettle      |      | 850 | 700 |   |    |     |     | 1   |     | 12/97         |
|      | 76.5340.05  |             | Kessel      | marmite     | marmitta     | kettle      |      | 900 | 650 |   | 1  |     |     |     |     | 12/97         |
|      | 76.5340.06  |             | Kessel      | marmite     | marmitta     | kettle      |      | 900 | 650 |   |    | 1   |     |     |     | 12/97         |
|      | 76.5340.07  |             | Kessel      | marmite     | marmitta     | kettle      |      | 900 | 700 |   |    |     | 1   |     |     | 12/97         |
|      | 76.5340.08  |             | Kessel      | marmite     | marmitta     | kettle      |      | 900 | 700 |   |    |     |     | 1   |     | 12/97         |
|      | 76.5340.11  |             | Kessel      | marmite     | marmitta     | kettle      |      | 850 | 750 |   | 1  |     |     |     |     | 12/97         |
|      | 76.5340.12  |             | Kessel      | marmite     | marmitta     | kettle      |      | 850 | 750 |   |    | 1   |     |     |     | 12/97         |
|      | 76.5340.13  |             | Kessel      | marmite     | marmitta     | kettle      |      | 850 | 750 |   |    |     | 1   |     |     | 12/97         |
|      | 76.5340.14  |             | Kessel      | marmite     | marmitta     | kettle      |      | 850 | 750 |   |    |     |     | 1   |     | 12/97         |
|      | 76.5340.15  |             | Kessel      | marmite     | marmitta     | kettle      |      | 900 | 750 |   | 1  |     |     |     |     | 12/97         |
|      | 76.5340.16  |             | Kessel      | marmite     | marmitta     | kettle      |      | 900 | 750 |   |    | 1   |     |     |     | 12/97         |
|      | 76.5340.17  |             | Kessel      | marmite     | marmitta     | kettle      |      | 900 | 750 |   |    |     | 1   |     |     | 12/97         |
|      | 76.5340.18  |             | Kessel      | marmite     | marmitta     | kettle      |      | 900 | 750 |   |    |     |     | 1   |     | 12/97         |

| Doc. No.   | Index | Issue | DE        | FR      | IT       | GB     | Seite/ Page/ Pagina/ Page |  |  |  |
|------------|-------|-------|-----------|---------|----------|--------|---------------------------|--|--|--|
| 76.9274.01 |       | 12/97 | Baugruppe | Unité   | Unità    | Unit   | 9                         |  |  |  |
| JPEN       |       |       | Kessel    | Marmite | Marmitta | Kettle |                           |  |  |  |

| Pos. | Product No.    | Service No. | Bezeichnung | Désignation    | Designazione    | Designation   | Type      | x | y | M | 80 | 150 | 200 | 300 | 400 | Introduc-tion |
|------|----------------|-------------|-------------|----------------|-----------------|---------------|-----------|---|---|---|----|-----|-----|-----|-----|---------------|
| 2    | 76.5075        |             | Verstärkung | renforcement   | rinforzamento   | reinforcement |           |   |   |   | 1  |     |     |     |     | 12/97         |
|      | 76.5080        |             | Verstärkung | renforcement   | rinforzamento   | reinforcement |           |   |   |   |    | 1   | 1   |     |     | 12/97         |
|      | 76.5062        |             | Verstärkung | renforcement   | rinforzamento   | reinforcement |           |   |   |   |    |     |     | 1   |     | 12/97         |
| 3    | 76.5076        |             | Verstärkung | renforcement   | rinforzamento   | reinforcement |           |   |   |   | 1  |     |     |     |     | 12/97         |
|      | 76.5081        |             | Verstärkung | renforcement   | rinforzamento   | reinforcement |           |   |   |   |    | 1   | 1   |     |     | 12/97         |
|      | 76.5063        |             | Verstärkung | renforcement   | rinforzamento   | reinforcement |           |   |   |   |    |     |     | 1   |     | 12/97         |
| 4    | 712 044 120.05 | 1101 8576   | Mutter      | écrou          | dado            | nut           | M5        |   |   |   | 8  | 11  | 11  | 16  |     | 12/97         |
| 5    | 76.5079        |             | Schiene     | rail           | stecca          | rail          |           |   |   |   |    |     |     | 2   |     | 12/97         |
| 6    | 712 044 120.05 | 1101 8576   | Mutter      | écrou          | dado            | nut           | M6        |   |   |   |    |     |     | 28  |     | 12/97         |
| 7    | 76.5158.01     |             | Führung     | guide          | guida           | guide         | 800       |   |   |   | 1  | 1   | 1   | 1   |     | 12/97         |
|      | 76.5159.01     |             | Führung     | guide          | guida           | guide         | 900       |   |   |   | 1  | 1   | 1   | 1   |     | 12/97         |
| 8    | 76.5158.02     |             | Führung     | guide          | guida           | guide         | 800       |   |   |   | 1  | 1   | 1   | 1   |     | 12/97         |
|      | 76.5159.01     |             | Führung     | guide          | guida           | guide         | 900       |   |   |   | 1  | 1   | 1   | 1   |     | 12/97         |
| 9    | 1117 1119      |             | Schlauch    | tuyau flexible | tubo flessibile | hose          | 29/22x800 |   |   |   | 2  | 2   | 2   | 2   |     | 12/97         |
| 10   | 1103 1770      |             | Bride       | bride          | brida           | shackle       |           |   |   |   | 4  | 4   | 4   | 4   |     | 12/97         |
| 11   | 76.2136.XX     |             | Isolation   | isolation      | isolamento      | insulation    |           |   |   |   | 01 | 02  | 03  | 04  |     | 6/98          |
| 12   | 76.2137.XX     |             | Isolation   | isolation      | isolamento      | insulation    |           |   |   |   | 01 | 02  | 02  | 03  |     | 6/98          |

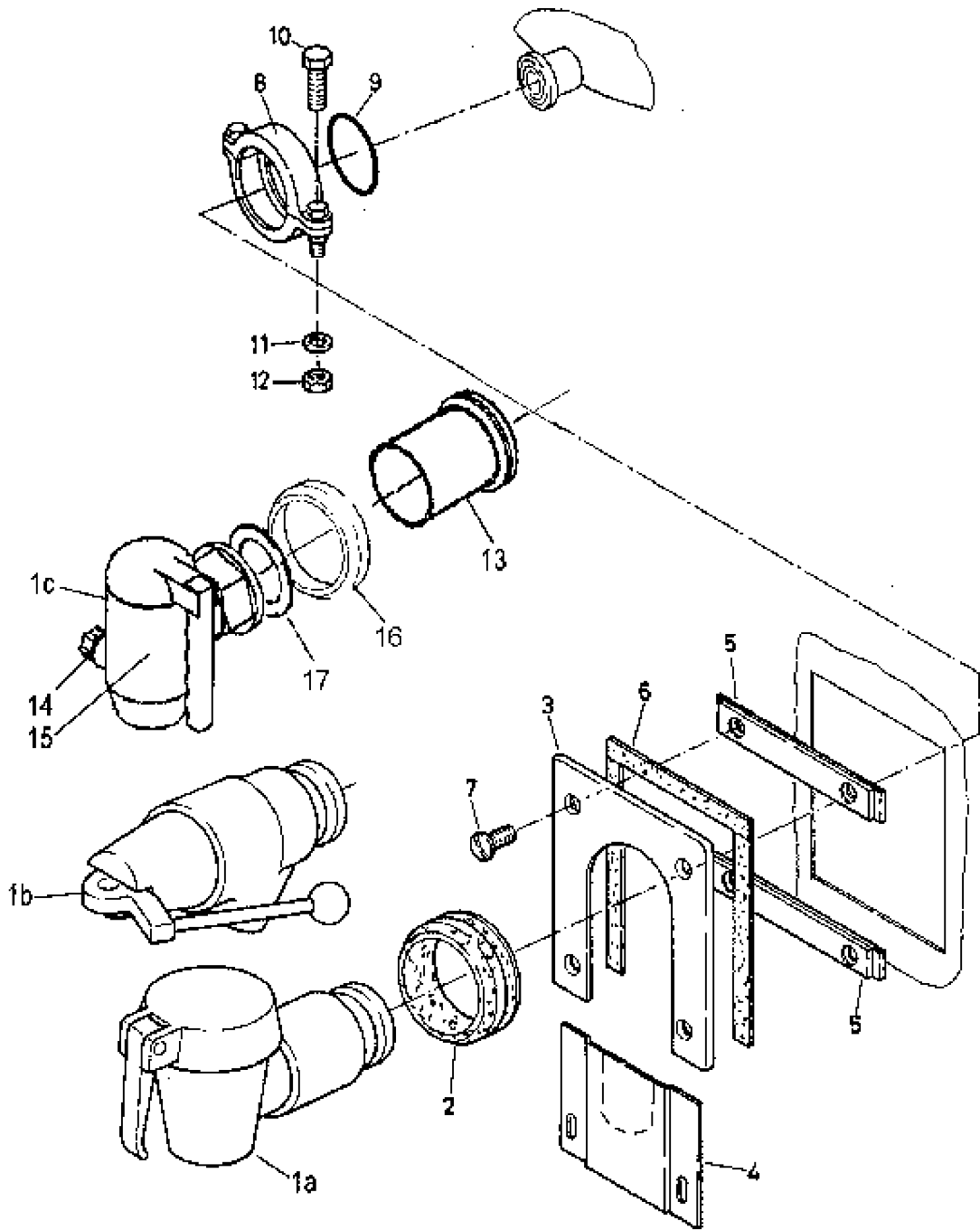


| Doc. No.      | Index | Issue | DE        | FR        | IT            | GB      | Seite/ Page/ Pagina/ Page |  |  |  |  |  |
|---------------|-------|-------|-----------|-----------|---------------|---------|---------------------------|--|--|--|--|--|
| 76.9274.02    |       | 12/97 | Baugruppe | Unité     | Unità         | Unit    | 1                         |  |  |  |  |  |
| BEN<br>(J)PEN |       |       | Heizung   | chauffage | riscaldamento | heating |                           |  |  |  |  |  |

| Pos. | Product No.    | Service No. | Bezeichnung | Désignation       | Designazione    | Designation | Type     | 80 | 150 | 200 | 300 | 400 | Introduc-tion |
|------|----------------|-------------|-------------|-------------------|-----------------|-------------|----------|----|-----|-----|-----|-----|---------------|
| 1    | 76.3029.01     |             | Heizung     | chauffage         | riscaldamento   | heating     | 200V/3~  | 2  | 3   | 4   |     | 7   | 12/97         |
|      | 76.3029.02     |             | Heizung     | chauffage         | riscaldamento   | heating     | 200V/3~  | 1  | 1   | 1   |     | 1   | 12/97         |
|      | 76.3029.03     | 1800 1104   | Heizung     | chauffage         | riscaldamento   | heating     | 230V/3~  | 2  | 3   | 4   |     | 7   | 12/97         |
|      | 76.3029.03     | 1800 1104   | Heizung     | chauffage         | riscaldamento   | heating     | 400V/3~  | 2  | 3   | 4   |     | 7   | 12/97         |
|      | 76.3029.04     | 1800 1105   | Heizung     | chauffage         | riscaldamento   | heating     | 230V/3~  | 1  | 1   | 1   |     | 1   | 12/97         |
|      | 76.3029.04     | 1800 1105   | Heizung     | chauffage         | riscaldamento   | heating     | 400V/3~  | 1  | 1   | 1   |     | 1   | 12/97         |
|      | 76.3029.05     |             | Heizung     | chauffage         | riscaldamento   | heating     | 415V/3~  | 2  | 3   | 4   |     | 7   | 12/97         |
|      | 76.3029.06     |             | Heizung     | chauffage         | riscaldamento   | heating     | 415V/3~  | 1  | 1   | 1   |     | 1   | 12/97         |
|      | 76.3029.07     |             | Heizung     | chauffage         | riscaldamento   | heating     | 440V/3~  | 2  | 3   | 4   |     | 7   | 12/97         |
|      | 76.3029.08     |             | Heizung     | chauffage         | riscaldamento   | heating     | 440V/3~  | 1  | 1   | 1   |     | 1   | 12/97         |
|      | 76.3028.01     |             | Heizung     | chauffage         | riscaldamento   | heating     | 200V/3~  |    |     |     | 7   |     | 12/97         |
|      | 76.3028.02     |             | Heizung     | chauffage         | riscaldamento   | heating     | 200V/3~  |    |     |     | 1   |     | 12/97         |
|      | 76.3028.03     | 1800 1102   | Heizung     | chauffage         | riscaldamento   | heating     | 230V/3~  |    |     |     | 7   |     | 12/97         |
|      | 76.3028.03     | 1800 1102   | Heizung     | chauffage         | riscaldamento   | heating     | 400V/3~  |    |     |     | 7   |     | 12/97         |
|      | 76.3028.04     | 1800 1103   | Heizung     | chauffage         | riscaldamento   | heating     | 230V/3~  |    |     |     | 1   |     | 12/97         |
|      | 76.3028.04     | 1800 1103   | Heizung     | chauffage         | riscaldamento   | heating     | 400 V/3~ |    |     |     | 1   |     | 12/97         |
|      | 76.3028.05     |             | Heizung     | chauffage         | riscaldamento   | heating     | 415 V/3~ |    |     |     | 7   |     | 12/97         |
|      | 76.3028.06     |             | Heizung     | chauffage         | riscaldamento   | heating     | 415V/3~  |    |     |     | 1   |     | 12/97         |
|      | 76.3028.07     |             | Heizung     | chauffage         | riscaldamento   | heating     | 440V/3~  |    |     |     | 7   |     | 12/97         |
|      | 76.3028.08     |             | Heizung     | chauffage         | riscaldamento   | heating     | 440V/3~  |    |     |     | 1   |     | 12/97         |
| 2    | 718 044 192    | 1800 2198   | Halter      | fixation          | sostegno        | support     |          | 3  | 4   | 5   | 8   | 8   | 12/97         |
| 3    | 718 042 198    | 1900 6668   | Dichtung    | joint             | guarnizione     | sealing     |          | 3  | 4   | 5   | 8   | 8   | 12/97         |
| 4    | 70.0534        |             | Halter      | fixation          | sostegno        | support     |          | 1  | 1   | 1   | 1   | 1   | 12/97         |
| 5    | 712 044 120.05 | 1101 8576   | Mutter      | écrou             | dado            | nut         | M5       | 14 | 18  | 22  | 34  | 34  | 12/97         |
| 6    | 76.3049        | 1801 3708   | Sicherung   | fusible           | fusibile        | fuse        |          | 1  | 1   | 1   | 1   | 1   | 12/97         |
| 7    | 76.3033        | 1802 5561   | Begrenzer   | limiteur          | limitatore      | limiter     |          | 1  | 1   | 1   | 1   | 1   | 12/97         |
| 8    | 1701 2077      |             | Schraube    | vis               | vite            | screw       | M4x6     | 2  | 2   | 2   | 2   | 2   | 12/97         |
| 9    | 1701 5002      |             | Federring   | anneau de ressort | anello di molla | spring ring | M4       | 2  | 2   | 2   | 2   | 2   | 12/97         |
| 10   | 76.3006        | 1802 5570   | Fühler      | sonde             | seniore         | sensor      | Ø8x11    | 1  | 1   | 1   | 1   | 1   | 12/97         |
| 11   | 712 044 481.21 | 1900 6840   | Dichtung    | joint             | guarnizione     | sealing     |          | 1  | 1   | 1   | 1   | 1   | 12/97         |

| Doc. No.      | Index | Issue | DE        | FR        | IT            | GB      | Seite/ Page/ Pagina/ Page |  |  |  |
|---------------|-------|-------|-----------|-----------|---------------|---------|---------------------------|--|--|--|
| 76.9274.02    |       | 12/97 | Baugruppe | Unité     | Unità         | Unit    | 2                         |  |  |  |
| BEN<br>(J)PEN |       |       | Heizung   | chauffage | riscaldamento | heating |                           |  |  |  |

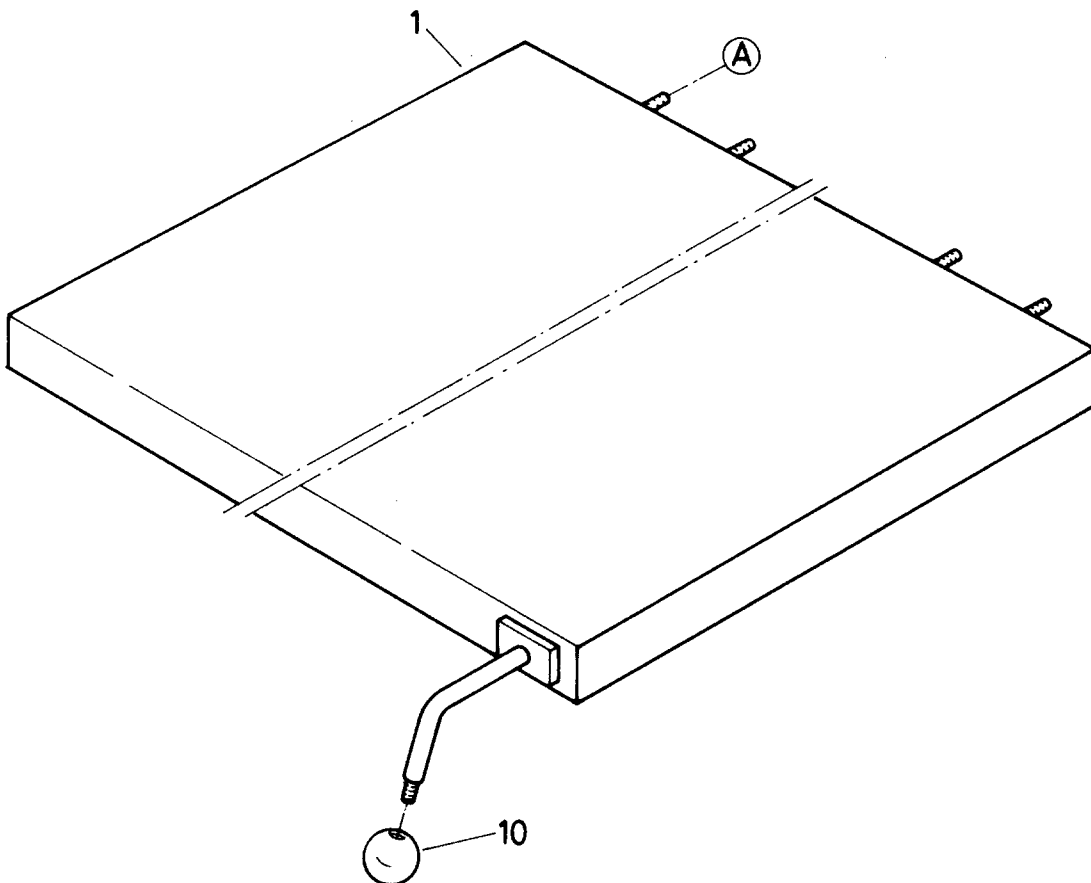
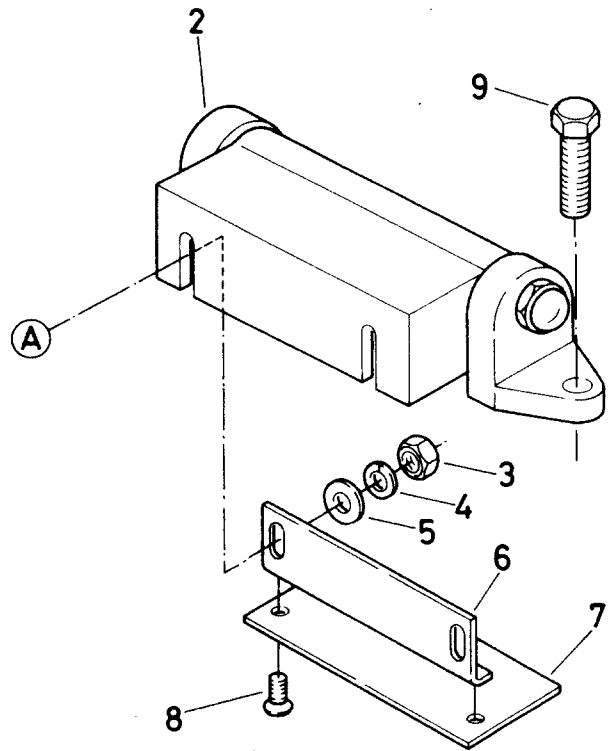
| Pos. | Product No. | Service No. | Bezeichnung     | Désignation       | Designazione    | Designation | Type   | 80 | 150 | 200 | 300 | 400 | Introduc-tion |
|------|-------------|-------------|-----------------|-------------------|-----------------|-------------|--------|----|-----|-----|-----|-----|---------------|
| 12   | 76.3005.01  | 1 802 5572  | Fühler          | sonde             | sensore         | sensor      |        | 1  | 1   | 1   | 1   | 1   | 12/97         |
| 13   | 76.4191     | 1802 5576   | Halter          | fixation          | sostegno        | support     |        | 1  | 1   | 1   | 1   | 1   | 12/97         |
| 14   | 1201 1510   |             | Paste           | pâte              | pasta           | paste       |        | 1  | 1   | 1   | 1   | 1   | 12/97         |
| 15   | 1701 3016   | 1101 8572   | Mutter          | écrou             | dado            | nut         | M6x0.8 | 1  | 1   | 1   | 1   | 1   | 12/97         |
| 16   | 1701 5007   |             | Federring       | anneau de ressort | anello di molla | spring ring | M6     | 1  | 1   | 1   | 1   | 1   | 12/97         |
| 17   | 1701 4003   |             | Unterlagscheibe | rondelle          | rondella        | washer      | M6     | 1  | 1   | 1   | 1   | 1   | 12/97         |



| Doc. No.      | Index | Issue | DE          | FR      | IT        | GB   | Seite/ Page/ Pagina/ Page |  |  |  |
|---------------|-------|-------|-------------|---------|-----------|------|---------------------------|--|--|--|
| 76.9274.04    |       | 12/97 | Baugruppe   | Unité   | Unità     | Unit | 1                         |  |  |  |
| BEN<br>(J)PEN |       |       | Auslaufhahn | Robinet | Rubinetto | Tap  |                           |  |  |  |

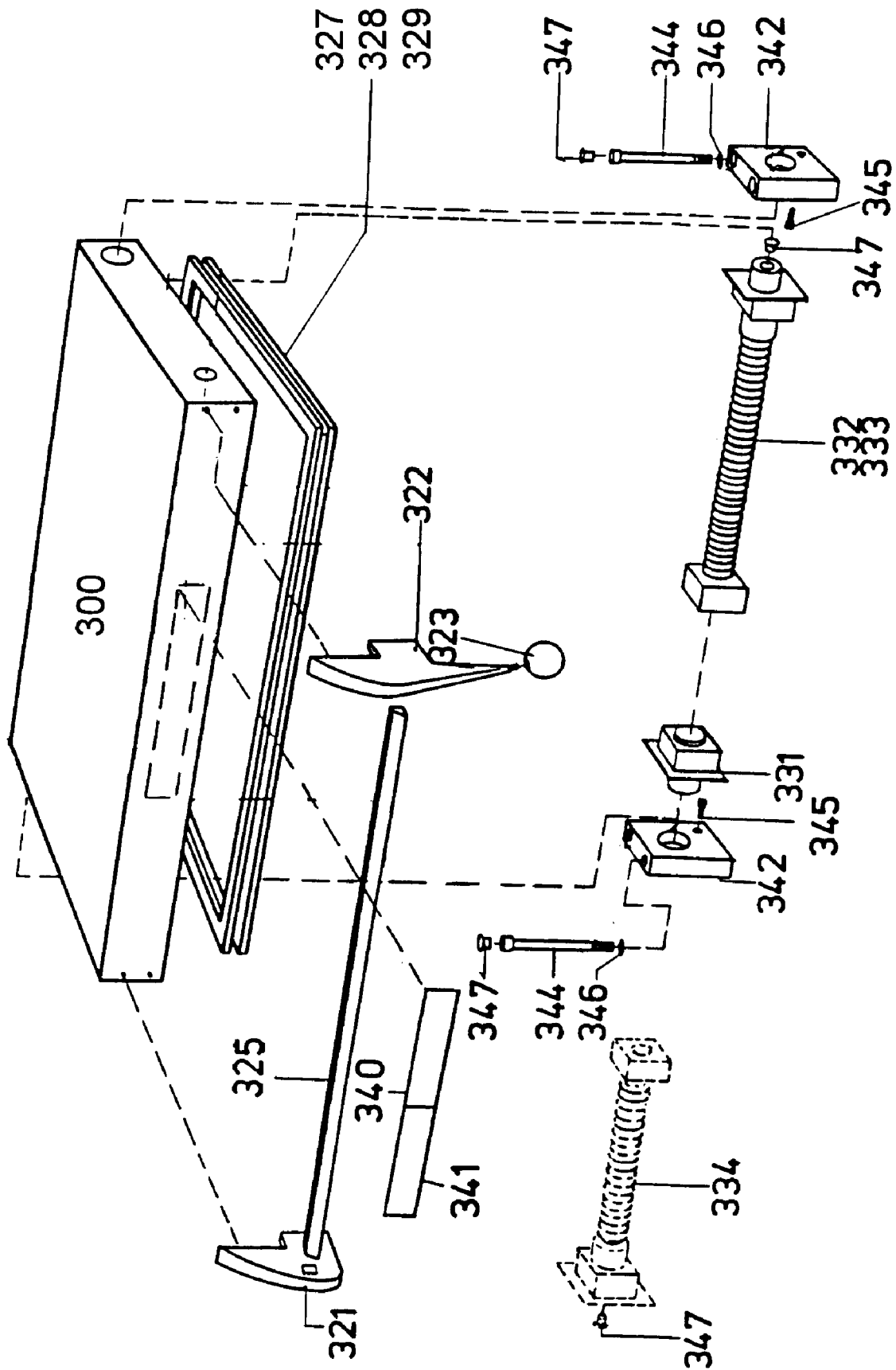
| Pos. | Product No. | Service No. | Bezeichnung           | Désignation           | Designazione        | Designation   | Type  |  | BON | BEN | (J)PEN | Introduction |
|------|-------------|-------------|-----------------------|-----------------------|---------------------|---------------|-------|--|-----|-----|--------|--------------|
| 1a   | 70.0493     | 1900 3246   | Hahn                  | robinet               | rubinetto           | tap           |       |  | 1   |     |        | 12/97        |
|      | 70.0434     | 1900 3268   | Hahn                  | robinet               | rubinetto           | tap           |       |  |     | 1   |        | 12/97        |
| 1b   | 712 344 891 | 1900 3266   | Hahn                  | robinet               | rubinetto           | tap           |       |  |     |     | 1      | 12/97        |
| 1c   | 1117 1258   |             | Hahn                  | robinet               | rubinetto           | tap           | 2 "   |  |     | 1   | 1      | 04/03        |
| 2    | 70.1288.02  | 1900 3291   | Dichtung              | joint                 | guarnizione         | sealing       | 1 ½"  |  | 1   |     |        | 12/97        |
|      | 70.1288.01  | 1900 3296   | Dichtung              | joint                 | guarnizione         | sealing       | 2 "   |  |     | 1   | 1      | 12/97        |
| 3    | 70.0693.01  |             | Blech                 | tôle                  | lamiera             | sheet         |       |  | 1   |     |        | 12/97        |
|      | 70.0693.02  |             | Blech                 | tôle                  | lamiera             | sheet         |       |  |     | 1   | 1      | 12/97        |
| 4    | 70.0695.01  |             | Blech                 | tôle                  | lamiera             | sheet         |       |  | 1   |     |        | 12/97        |
|      | 70.0695.02  |             | Blech                 | tôle                  | lamiera             | sheet         |       |  |     | 1   | 1      | 12/97        |
| 5    | 70.0691.XX  |             | Flansch               | bride                 | flangia             | flange        |       |  | 2   | 2   | 2      | 12/97        |
| 6    | 1201 1522   | 1101 9072   | Dichtung              | joint                 | guarnizione         | sealing       |       |  | 1   | 1   | 1      | 12/97        |
| 7    | 1701 1505   |             | Schraube              | vis                   | vite                | screw         | M4x10 |  | 4   | 4   | 4      | 12/97        |
| 8    | 713 842 019 | 1900 3373   | Bride                 | bride                 | brida               | shackle       |       |  | 1   | 1   | 1      | 12/97        |
| 9    | 713 042 130 | 1900 6833   | O-Ring                | joint torique         | anello              | o-ring        |       |  | 1   | 1   | 1      | 12/97        |
| 10   | 1701 2583   |             | Schraube              | vis                   | vite                | screw         | M8x40 |  | 1   | 1   | 1      | 12/97        |
| 11   | 1701 5008   |             | Federring             | anneau de ressort     | anello di molla     | spring ring   | M8    |  | 1   | 1   | 1      | 12/97        |
| 12   | 1701 3044   | 1101 8573   | Mutter                | écrou                 | dado                | nut           | M8    |  | 1   | 1   | 1      | 12/97        |
| 13   | 76.3194     |             | Übergangsstück        | pièce de raccordement | pezzo di raccordo   | reducing part |       |  | 1   | 1   | 1      | 04/03        |
| 14   | 1117 1261   |             | Verriegelungs-Einheit | unité de blocage      | unita di bloccaggio | blockade kit  |       |  | 1   | 1   | 1      | 04.03        |
| 15   | 1201 2070   |             | O-Ring                | joint torique         | anello              | o-ring        |       |  | 3   | 3   | 3      | 04.03        |
| 16   | 1117 1262   |             | Rosette               | rosace                | rosetta             | rose          |       |  |     | 1   | 1      | 05/03        |
| 17   | 1 101 2192  |             | Dichtung              | joint                 | guarnizione         | sealing       |       |  | 1   | 1   | 1      |              |





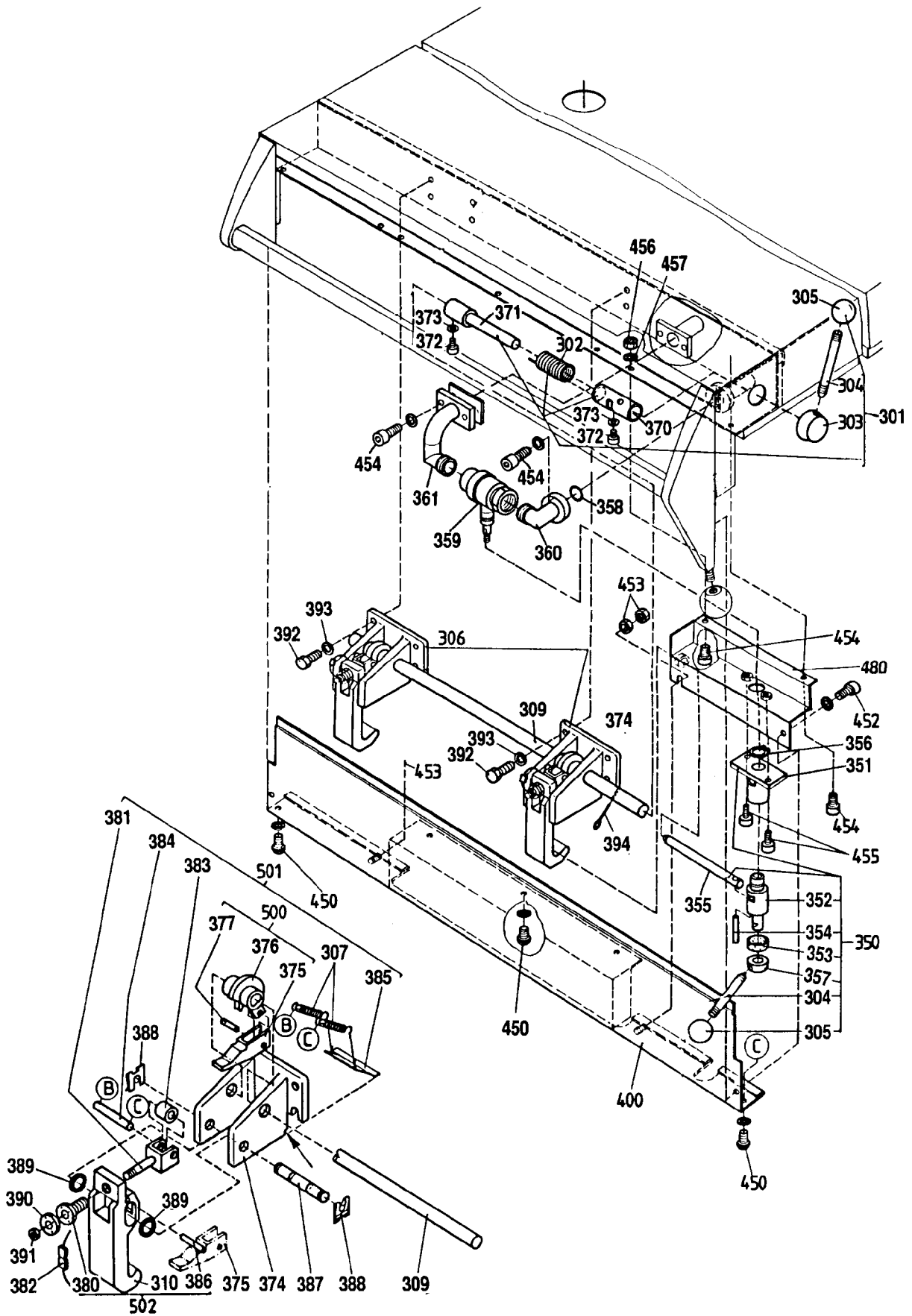
| Doc. No.   | Index | Issue | DE        | FR        | IT        | GB   | Seite/ Page/ Pagina/ Page |  |  |  |
|------------|-------|-------|-----------|-----------|-----------|------|---------------------------|--|--|--|
| 76.9274.05 |       | 12/97 | Baugruppe | Unité     | Unità     | Unit | 1                         |  |  |  |
| BEN        |       |       | Deckel    | couvercle | coperchio | lid  |                           |  |  |  |

| Pos. | Product No. | Service No. | Bezeichnung     | Désignation       | Designazione    | Designation | Type        |  |   |  | Introduc-tion |
|------|-------------|-------------|-----------------|-------------------|-----------------|-------------|-------------|--|---|--|---------------|
| 1    | 70.1422.01  |             | Deckel          | couvercle         | coperchio       | lid         | 80l         |  | 1 |  | 12/97         |
|      | 70.1422.02  |             | Deckel          | couvercle         | coperchio       | lid         | 150-200l    |  | 1 |  | 12/97         |
|      | 70.1422.03  |             | Deckel          | couvercle         | coperchio       | lid         | 300l        |  | 1 |  | 12/97         |
|      | 70.1422.04  |             | Deckel          | couvercle         | coperchio       | lid         | 400l        |  | 1 |  | 12/97         |
| 2    | 70.0750.03  | 1900 0769   | Gelenk          | genouillère       | articolazione   | joint       | 80/150/100l |  | 1 |  | 12/97         |
|      | 70.0750.05  | 1900 0765   | Gelenk          | genouillère       | articolazione   | joint       | 300-400l    |  | 2 |  | 12/97         |
| 3    | 1701 3044   | 1101 8573   | Mutter          | écrou             | dado            | nut         | M8          |  | 2 |  | 12/97         |
| 4    | 1701 5008   |             | Federring       | anneau de ressort | anello di molla | spring ring | M8          |  | 2 |  | 12/97         |
| 5    | 1701 3513   | 1802 5481   | Unterlagscheibe | rondelle          | rondella        | washer      | M8          |  | 2 |  | 12/97         |
| 6    | 70.0764     |             | Winkel          | angle             | angolo          | angle       |             |  | 1 |  | 12/97         |
| 7    | 70.0765.01  |             | Blech           | tôle              | lamiera         | sheet       |             |  | 1 |  | 12/97         |
| 8    | 1701 1504   |             | Schraube        | vis               | vite            | screw       | M4x8        |  | 2 |  | 12/97         |
| 9    | 1701 2541   |             | Schraube        | vis               | vite            | screw       | M10x25      |  | 2 |  | 12/97         |
| 10   | 10.2673     | 1900 6078   | Kugel           | boule,            | palla           | ball        |             |  | 1 |  | 12/97         |



| Doc. No.          | Issue        | DE                 | FR                          | IT                           | GB                  | Seite/ Page/ Pagina/ Page |
|-------------------|--------------|--------------------|-----------------------------|------------------------------|---------------------|---------------------------|
| <b>76.9274.06</b> | <b>12/97</b> | <b>Baugruppe</b>   | <b>Unité</b>                | <b>Unità</b>                 | <b>Unit</b>         | <b>1</b>                  |
| <b>(J)PEN</b>     |              | <b>Druckdeckel</b> | <b>Couvercle à pression</b> | <b>Coperchio a pressione</b> | <b>Pressure lid</b> |                           |

| Pos. | Product No.    | Service No. | Bezeichnung            | Désignation                      | Designazione                   | Designation              | 80 | 150 | 200 | 300 | Intro-<br>duction |
|------|----------------|-------------|------------------------|----------------------------------|--------------------------------|--------------------------|----|-----|-----|-----|-------------------|
|      | 70.1444.XX     |             | Deckel<br>komplett     | couvercle<br>complet             | coperchio<br>completo          | lid<br>complete          | 01 | 02  | 02  | 03  | 12/97             |
| 300  | 70.1445.XX     |             | Gehäuse                | boîtier                          | base                           | housing                  | 01 | 02  | 02  | 03  | 12/97             |
| 321  | 70.1101        | 1900 0622   | Griffkonsole<br>links  | console de poignée<br>gauche     | mensola di manetta<br>sinistra | knob console<br>left     | x  | x   | x   | x   | 12/97             |
| 322  | 70.1102        | 1900 0623   | Griffkonsole<br>rechts | console de poignée<br>droit      | mensola di manetta<br>destra   | knob console<br>right    | x  | x   | x   | x   | 12/97             |
| 323  | 712 344 733.10 | 1900 6078   | Kugelgriff Ø45mm       | poignée à boule                  | manetta a pomello              | ball handle              | x  | x   | x   | x   | 12/97             |
| 324  | 70.1103.01     | 1901 6120   | Griffstange 430 mm     | tige de poignée                  | asta di manetta                | handle rod               | x  |     |     |     | 12/97             |
| 325  | 70.1103.02     | 1901 6121   | Griffstange 760 mm     | tige de poignée                  | asta di manetta                | handle rod               |    | x   | x   |     | 12/97             |
| 326  | 70.1103.03     | 1901 6122   | Griffstange 1130 mm    | tige de poignée                  | asta di manetta                | handle rod               |    |     |     | x   | 12/97             |
| 327  | 718 034 000    | 1900 6885   | Dichtung 676x448       | joint                            | guarnizione                    | washer                   | x  |     |     |     | 12/97             |
| 328  | 718 034 001    | 1900 6886   | Dichtung 676x778       | joint                            | guarnizione                    | washer                   |    | x   | x   |     | 12/97             |
| 329  | 718 034 002    | 1900 6887   | Dichtung 676x1148      | joint                            | guarnizione                    | washer                   |    |     |     | x   | 12/97             |
| 331  | 70.0179        | 1900 0775   | Deckelzapfen           | cheville de couvercle            | zaffo di coperchio             | lid stud                 | x  | x   | x   |     | 12/97             |
| 332  | 70.0164        | 1900 0776   | Federeinbau<br>rechts  | encastrement à ressort<br>droit  | montaggio di molla<br>destra   | spring assembly<br>right | x  |     |     | x   | 12/97             |
| 333  | 70.0165        | 1900 0777   | Federeinbau<br>rechts  | encastrement à ressort<br>droit  | montaggio di molla<br>destra   | spring assembly<br>right |    | x   | x   |     | 12/97             |
| 334  | 70.0166        | 1900 0779   | Federeinbau<br>links   | encastrement à ressort<br>gauche | montaggio di molla<br>sinistra | spring assembly<br>left  |    |     |     | x   | 12/97             |
| 340  | 71.3155        | 1900 3983   | Hinweisschild          | panneau                          | targhetta                      | label                    | x  | x   | x   | x   | 12/97             |
| 341  | 74.0467        |             | Hinweisschild          | panneau                          | targhetta                      | label                    | x  | x   | x   | x   | 12/97             |
| 342  | 70.0170        |             | Deckellager            | palier de couvercle              | cuscinetto di coperchio        | lid bearing              | x  | x   | x   | x   | 12/97             |
| 344  | 1101 8145      | 1101 8145   | Schraube M10x80        | vis                              | vite                           | screw                    | x  | x   | x   | x   | 12/97             |
| 345  | 1101 8117      | 1101 8117   | Schraube M10x25        | vis                              | vite                           | screw                    | x  | x   | x   | x   | 12/97             |
| 346  | 1701 5038      | 1701 5038   | Federring Ø10,2/16     | anneau de ressort                | anello di molla                | spring ring              | x  | x   | x   | x   | 12/97             |
| 347  | 70.0395        | 1900 0689   | Abschlussdeckel        | couvercle de recouvrement        | coperchio di chiusura          | end cover                | x  | x   | x   | x   | 12/97             |



| Doc. No.          |  | Issue        | DE                                 | FR                                              | IT                                            | GB                       | Seite/ Page/ Pagina/ Page |  |  |  |
|-------------------|--|--------------|------------------------------------|-------------------------------------------------|-----------------------------------------------|--------------------------|---------------------------|--|--|--|
| <b>76.9274.07</b> |  | <b>12/97</b> | <b>Baugruppe</b>                   | <b>Unité</b>                                    | <b>Unità</b>                                  | <b>Unit</b>              | <b>1</b>                  |  |  |  |
| <b>(J)PEN</b>     |  |              | <b>Druckdeckel-<br/>Verschluss</b> | <b>Verrouillage du<br/>couvercle à pression</b> | <b>Chiusura del coperchio<br/>a pressione</b> | <b>Pressure lid lock</b> |                           |  |  |  |

| Pos. | Product No.    | Service No. | Bezeichnung                   | Désignation                      | Designazione                  | Designation           | 80 | 150 | 200 | 300 |  | Intro-<br>duction |
|------|----------------|-------------|-------------------------------|----------------------------------|-------------------------------|-----------------------|----|-----|-----|-----|--|-------------------|
| 301  | 70.0122        |             | Antrieb<br>komplett           | entraînement<br>complet          | azionamento<br>completo       | drive<br>complete     | x  | x   | x   | x   |  | 12/97             |
| 302  | 712 044 851.01 | 1900 1667   | Drehfeder                     | ressort de torsion               | molla di rotazione            | torsion spring        | x  | x   | x   | x   |  | 12/97             |
| 303  | 70.0128.01     | 1900 0762   | Nabe                          | moyeu                            | mozzo                         | hub                   | x  | x   | x   | x   |  | 08/97             |
|      | 70.1574        |             | Nabe neu                      | moyeu                            | mozzo                         | hub new               | x  | x   | x   | x   |  | 08/97             |
| 304  | 70.0139.01     | 1900 0747   | Hebel Ø 8                     | levier                           | leva                          | lever                 | x  | x   | x   | x   |  | 08/97             |
|      | 70.0139.02     |             | Hebel Ø 10 neu                | levier                           | leva                          | lever new             | x  | x   | x   | x   |  | 08/97             |
| 305  | 712 344 733.06 | 1900 6076   | Kugelgriff Ø28mm              | poignée à boule                  | manetta a pomello             | ball handle           | x  | x   | x   | x   |  | 12/97             |
| 306  | 70.0129        |             | Verschlusseinheit<br>komplett | unité de verrouillage<br>complet | unità di chiusura<br>completo | lock unit<br>complete | x  | x   | x   | x   |  | 12/97             |
| 307  | 70.0214        | 1900 1658   | Feder                         | ressort                          | molla                         | spring                | x  | x   | x   | x   |  | 12/97             |
| 309  | 70.0131.01     |             | Welle                         | axe                              | albero                        | shaft                 | x  |     |     |     |  | 12/97             |
|      | 70.0131.02     | 1900 4273   | Welle                         | axe                              | albero                        | shaft                 |    | x   | x   |     |  | 12/97             |
|      | 70.0131.03     | 1900 4274   | Welle                         | axe                              | albero                        | shaft                 |    |     |     | x   |  | 12/97             |
| 310  | 70.0613        |             | Verschlussshaken              | crochet de fermeture             | uncino                        | lock hook             | x  | x   | x   | x   |  | 12/97             |
| 370  | 70.0126        |             | Kupplung                      | accouplement                     | agganciamento                 | coupling              | x  | x   | x   | x   |  | 12/97             |
| 371  | 70.0123        |             | Welle                         | axe                              | albero                        | shaft                 | x  | x   | x   | x   |  | 12/97             |
| 372  | 1101 8161      | 1101 8660   | Schraube M6                   | vis                              | vite                          | screw                 | x  | x   | x   | x   |  | 12/97             |
| 373  | 1701 5047      |             | Federring M6                  | anneau de ressort                | anello di molla               | spring ring           | x  | x   | x   | x   |  | 12/97             |
| 374  | 70.0130        |             | Lager                         | palier                           | cuscinetto                    | bearing               | x  | x   | x   | x   |  | 12/97             |
| 500  | 70.1375        |             | Pos. 375, 376, 377            |                                  |                               |                       | x  | x   | x   | x   |  | 12/97             |
| 375  | 74.0199        | 1900 2490   | Keil                          | clavette                         | cuneo                         | wedge                 | x  | x   | x   | x   |  | 12/97             |
| 376  | 718 034 332    |             | Exzenter                      | excentrique                      | eccentrico                    | eccentric             | x  | x   | x   | x   |  | 12/97             |
| 377  | 74.0176        |             | Stift                         | broche                           | spina                         | pivot                 | x  | x   | x   | x   |  | 12/97             |
| 380  | 70.1556        | 1900 2492   | Stellschraube                 | vis de réglage                   | vite di regolazione           | adjust screw          | x  | x   | x   | x   |  | 12/97             |
| 381  | 70.1555        | 1900 2491   | Gabelzapfen                   | vis special                      | vite speciale                 | special screw         | x  | x   | x   | x   |  | 12/97             |
| 382  | 75.5004        | 1900 4279   | Plombe                        | plomb                            | piomba                        | seal                  | x  | x   | x   | x   |  | 12/97             |
| 383  | 718 044 108    | 1900 2493   | Rolle                         | rouleau                          | puleggia                      | pulley                | x  | x   | x   | x   |  | 12/97             |
| 384  | 718 044 109    | 1900 2494   | Bolzen                        | boulon                           | bolzone                       | bolt                  | x  | x   | x   | x   |  | 12/97             |
| 385  | 70.0132        |             | Lasche                        | languette                        | coprigiunto                   | latch                 | x  | x   | x   | x   |  | 12/97             |

| Doc. No.          |  | Issue        | DE                                 | FR                                              | IT                                            | GB                       | Seite/ Page/ Pagina/ Page |  |  |  |
|-------------------|--|--------------|------------------------------------|-------------------------------------------------|-----------------------------------------------|--------------------------|---------------------------|--|--|--|
| <b>76.9274.07</b> |  | <b>12/97</b> | <b>Baugruppe</b>                   | <b>Unité</b>                                    | <b>Unità</b>                                  | <b>Unit</b>              | <b>2</b>                  |  |  |  |
| <b>(J)PEN</b>     |  |              | <b>Druckdeckel-<br/>Verschluss</b> | <b>Verrouillage du<br/>couvercle à pression</b> | <b>Chiusura del coperchio<br/>a pressione</b> | <b>Pressure lid lock</b> |                           |  |  |  |

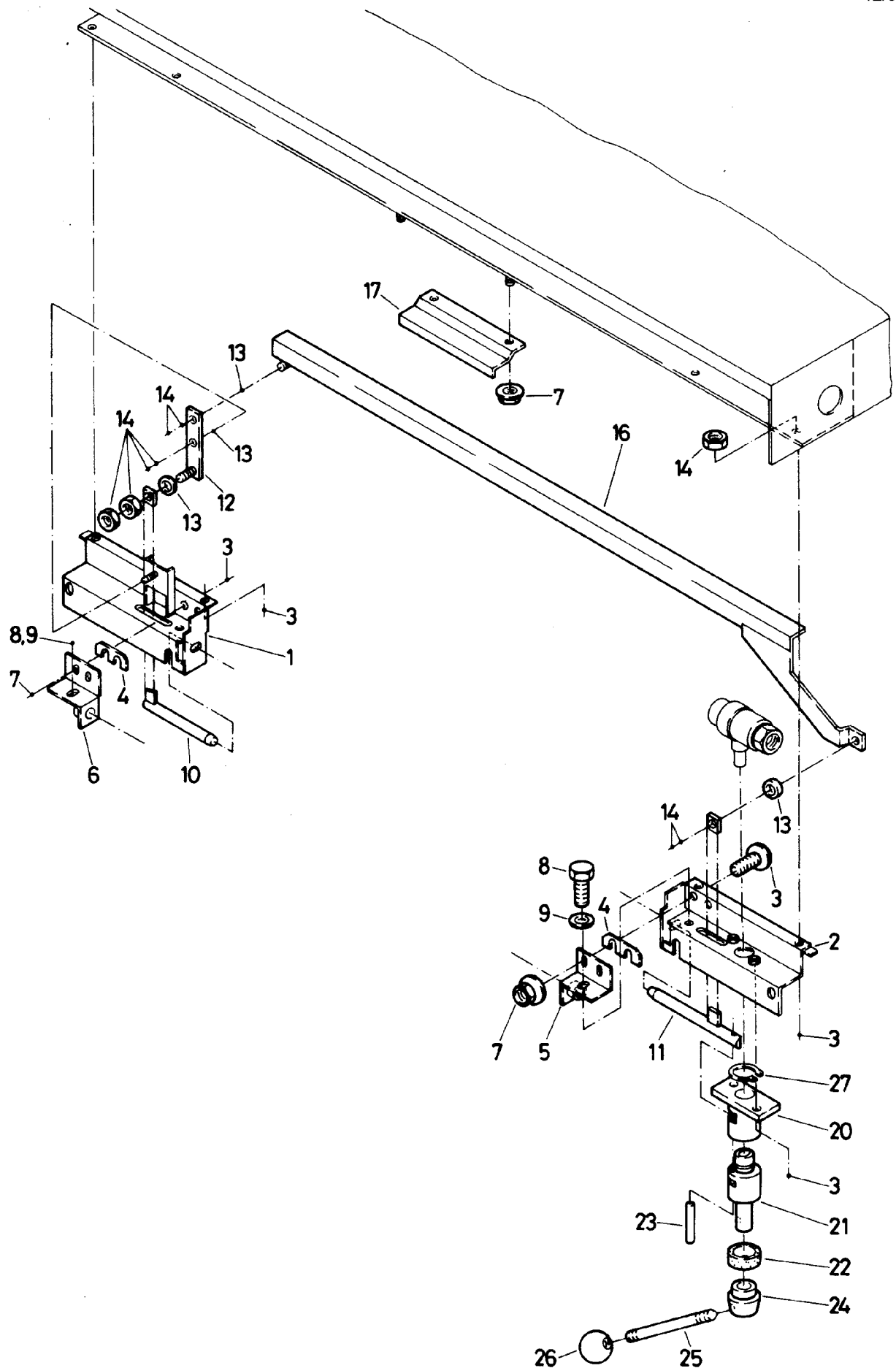
| Pos.                        | Product No.    | Service No. | Bezeichnung           | Désignation                        | Designazione                      | Designation           | 80 | 150 | 200 | 300 | Intro-<br>duction |
|-----------------------------|----------------|-------------|-----------------------|------------------------------------|-----------------------------------|-----------------------|----|-----|-----|-----|-------------------|
| 386                         | 70.1344.01     |             | Stift                 | broche                             | spina                             | pivot                 | x  | x   | x   | x   | 12/97             |
| 387                         | 70.0133        |             | Bolzen                | boulon                             | bolzone                           | bolt                  | x  | x   | x   | x   | 12/97             |
| 388                         | 712 345 082.12 | 1900 1221   | Wellensicherung       | sécurité d'axe                     | sicurezza dell'albero             | shaft protection      | x  | x   | x   | x   | 12/97             |
|                             | 1 701 2775     |             | Wellensicherung       | sécurité d'axe                     | sicurezza dell'albero             | shaft protection      | x  | x   | x   | x   | 46. week<br>2005  |
| 389                         | 74.0148        | 1900 4289   | Scheibe               | disque                             | disco                             | disk                  | x  | x   | x   | x   | 12/97             |
| 390                         | 70.1557        |             | Mutter                | écrou                              | dado                              | nut                   | x  | x   | x   | x   | 12/97             |
| 391                         | 1701 3014      | 1101 8761   | Kontermutter          | contre-écrou                       | contro-dado                       | counter-nut           | x  | x   | x   | x   | 12/97             |
| 392                         | 1101 8053      | 1101 8661   | Schraube              | vis                                | vite                              | screw                 | x  | x   | x   | x   | 12/97             |
| 393                         | 1701 5049      |             | Scheibe               | disque                             | disco                             | disk                  | x  | x   | x   | x   | 12/97             |
| 394                         | 1701 6016      |             | Splint                | goupille fendue                    | chiavetta                         | cotter                | x  | x   | x   | x   | 12/97             |
| 350<br>Pos.<br>351 -<br>357 | 71.3045        | 1900 1201   | Hahntrieb<br>komplett | entraînement du robinet<br>complet | azionamento rubinetto<br>completo | tap drive<br>complete | x  | x   | x   | x   | 12/97             |
| 358                         | 712 044 481.04 | 1900 6862   | Dichtung Ø24/17x2mm   | joint                              | guarnizione                       | washer                | x  | x   | x   | x   | 12/97             |
| 359                         | 75.7016        | 1900 3276?  | Kugelhahn             | robinet                            | valvola sferica                   | ball cock             | x  | x   | x   | x   | 12/97             |
| 360                         | 71.3052        |             | Rohrleitung           | tuyauterie                         | tubo conduttore                   | pipe                  | x  | x   | x   | x   | 12/97             |
| 361                         | 71.3053        |             | Rohrleitung           | tuyauterie                         | tubo conduttore                   | pipe                  | x  | x   | x   | x   | 12/97             |
| 400                         | 70.1455        |             | Frontblech            | tôle frontale                      | lamiera frontale                  | front panel           | x  |     |     |     | 12/97             |
|                             | 70.1492.01     |             | Frontblech            | tôle frontale                      | lamiera frontale                  | front panel           |    | x   | x   |     | 12/97             |
|                             | 70.1493.01     |             | Frontblech            | tôle frontale                      | lamiera frontale                  | front panel           |    |     |     | x   | 12/97             |
| 450                         | GR 40 186.1    |             | Spezialschraube       | vis spécial                        | vite speciale                     | special screw         | x  | x   | x   | x   | 12/97             |
| 452                         | 1701 2600      |             | Schraube              | vis                                | vite                              | screw                 | x  | x   | x   | x   | 12/97             |
| 453                         | 1116 1138      |             | Kepsmutter            | écrou                              | dado                              | capture nut           | x  | x   | x   | x   | 12/97             |
| 454                         | 1101 8123      |             | Schraube              | vis                                | vite                              | screw                 | x  | x   | x   | x   | 12/97             |
| 455                         | 1101 8123      |             | Schraube              | vis                                | vite                              | screw                 | x  | x   | x   | x   | 12/97             |

| Doc. No.          | Issue        | DE                                 | FR                                              | IT                                            | GB                       | Seite/ Page/ Pagina/ Page |
|-------------------|--------------|------------------------------------|-------------------------------------------------|-----------------------------------------------|--------------------------|---------------------------|
| <b>76.9274.07</b> | <b>12/97</b> | <b>Baugruppe</b>                   | <b>Unité</b>                                    | <b>Unità</b>                                  | <b>Unit</b>              | <b>3</b>                  |
| <b>(J)PEN</b>     |              | <b>Druckdeckel-<br/>Verschluss</b> | <b>Verrouillage du<br/>couvercle à pression</b> | <b>Chiusura del coperchio<br/>a pressione</b> | <b>Pressure lid lock</b> |                           |

| Pos. | Product No. | Service No. | Bezeichnung           | Désignation                  | Designazione                      | Designation               | 80 | 150 | 200 | 300 | Intro-<br>duction |
|------|-------------|-------------|-----------------------|------------------------------|-----------------------------------|---------------------------|----|-----|-----|-----|-------------------|
| 456  | 1101 8038   |             | Mutter                | écrou                        | dado                              | nut                       | x  | x   | x   | x   | 12/97             |
| 457  | 1701 5047   |             | Scheibe               | disque                       | disco                             | disk                      | x  | x   | x   | x   | 12/97             |
| 480  | 71.3044.01  |             | Schutzblech<br>links  | tôle de protection<br>gauche | lamiera di protezione<br>sinistra | protection plate<br>left  | x  | x   | x   | x   | 12/97             |
|      | 71.3044.02  |             | Schutzblech<br>rechts | tôle de protection<br>droit  | lamiera di protezione<br>destra   | protection plate<br>right | x  | x   | x   | x   | 12/97             |
|      |             |             | Austauschsatz         | garniture d'échange          | guarnazione di ricambio           | exchange kit              |    |     |     |     | 12/97             |
| 500  |             |             | Exzenter              | excentrique                  | eccentrico                        | eccentric                 |    |     |     |     | 12/97             |
| 501  |             |             | Verschlussatz         | garniture de fermeture       | unità dell'uncino                 | hook kit                  |    |     |     |     | 12/97             |
| 502  |             |             | Verschlusshaken       | crochet de fermeture         | uncino                            | lock hook                 |    |     |     |     | 12/97             |
| 503  |             |             | Verschlusseinheit     | unité de verrouillage        | unità di chiusura                 | lock unit                 |    |     |     |     | 12/97             |

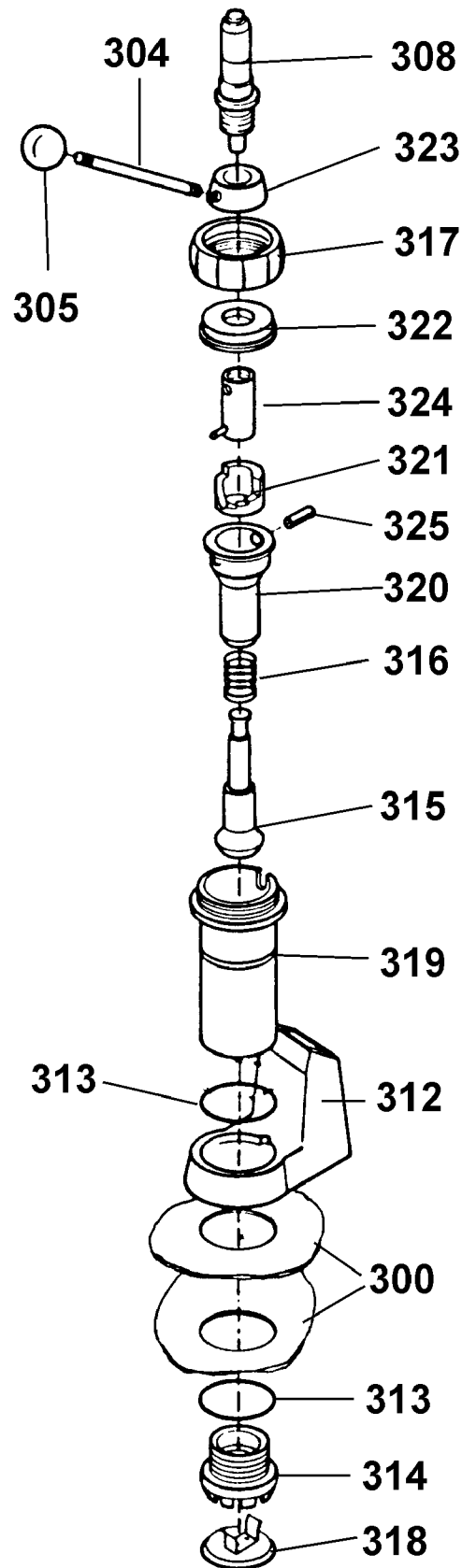
|  |           |  |                                    |                    |                    |                    |  |  |  |  |       |
|--|-----------|--|------------------------------------|--------------------|--------------------|--------------------|--|--|--|--|-------|
|  | 1201 1547 |  | Kleber<br>Loctite 243              | colle              | colla              | adhesive           |  |  |  |  | 12/97 |
|  | 1101 8962 |  | Schmiermittel<br>Klüber UH1 84-201 | lubrifiant         | lubrificante       | lubricant          |  |  |  |  | 12/97 |
|  | 1101 8916 |  | Antihaft-Spray<br>Chesterton 725   | spray antifriccion | spray antifrizione | antifriccion spray |  |  |  |  | 12/97 |
|  | 1201 1795 |  | Antihaft-Spray<br>Molykote 3402-C  | spray antifriccion | spray antifrizione | antifriccion spray |  |  |  |  | 12/97 |





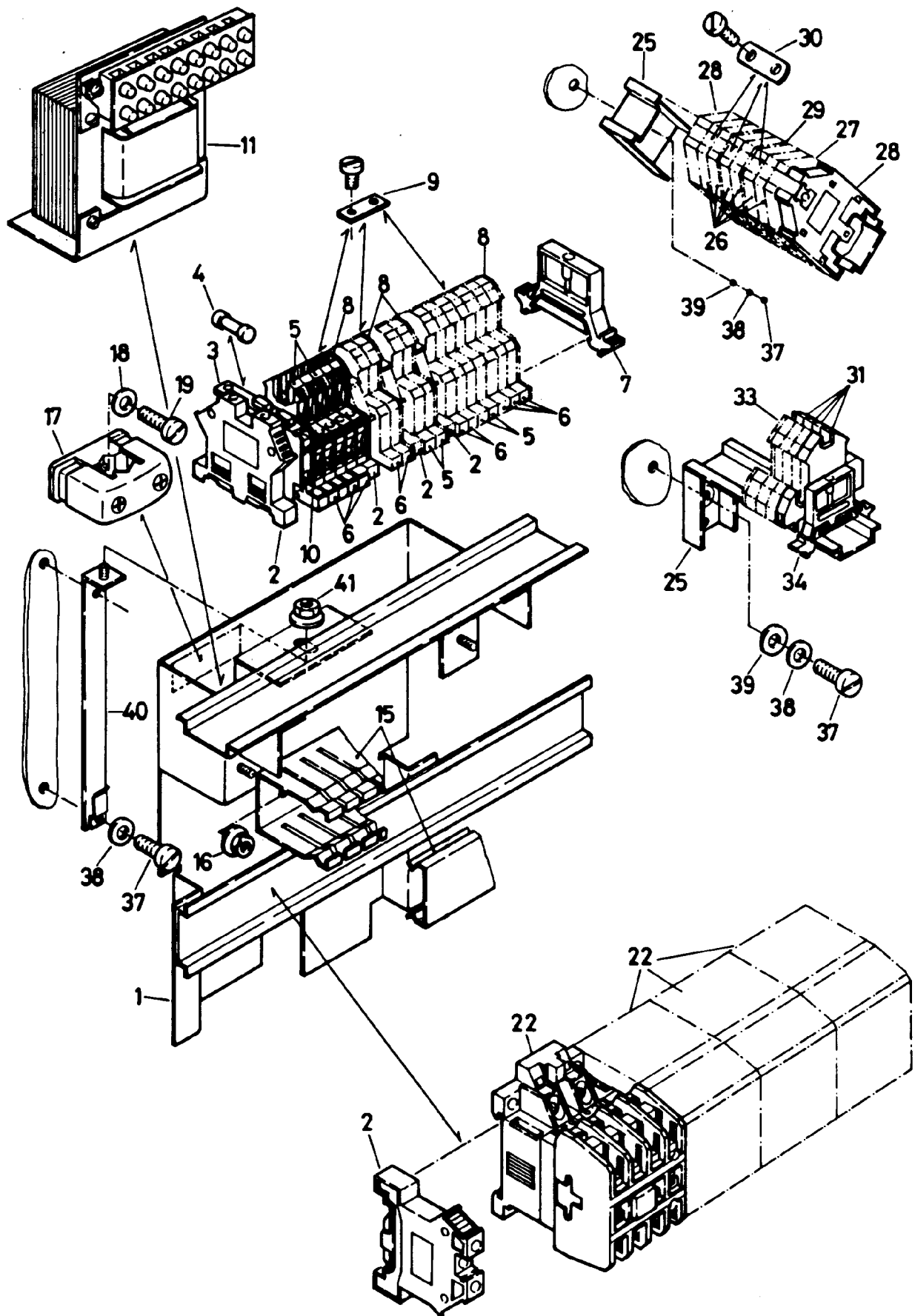
| Doc. No.          | Index | Issue        | DE               | FR              | IT              | GB              | Seite/ Page/ Pagina/ Page |  |  |
|-------------------|-------|--------------|------------------|-----------------|-----------------|-----------------|---------------------------|--|--|
| <b>76.9274.08</b> |       | <b>12/97</b> | <b>Baugruppe</b> | <b>Unité</b>    | <b>Unità</b>    | <b>Unit</b>     | <b>1</b>                  |  |  |
| <b>(J)PEN</b>     |       |              | Doppelsicherung  | Sécurité double | Congegno doppio | Double securing |                           |  |  |

| Pos. | Product No.    | Service No. | Bezeichnung   | Désignation        | Designazione       | Designation         | Type     |    | Introduc-tion |
|------|----------------|-------------|---------------|--------------------|--------------------|---------------------|----------|----|---------------|
| 2    | 70.1458.01     |             | Blech links   | tôle gauche        | lamiera sinistra   | sheet left          |          | 1  | 12/97         |
|      | 70.1458.02     |             | Blech rechts  | tôle droit         | lamiera destra     | sheet right         |          | 1  | 12/97         |
| 3    | GR40 186.1     |             | Schraube      | vis                | vite               | screw               | M6x15    | 12 | 12/97         |
| 4    | 70.1514.01     |             | Distanzplatte | plaque de distance | placca di distanza | spacer plate        | 1mm      | 2  | 12/97         |
|      | 70.1514.02     |             | Distanzplatte | plaque de distance | placca di distanza | spacer plate        | 0.5mm    | 2  | 12/97         |
| 5    | 70.1513.02     |             | Winkel rechts | angle droit        | angolo destra      | angle right         |          | 1  | 12/97         |
| 6    | 70.1513.01     |             | Winkel links  | angle gauche       | angolo sinistra    | angle left          |          | 1  | 12/97         |
| 7    | 712 044 120.06 | 1101 8577   | Mutter        | écrou              | dado               | nut                 | M6       | 8  | 12/97         |
| 8    | 1701 2507      |             | Schraube      | vis                | vite               | screw               | M5x10    | 2  | 12/97         |
| 9    | 1701 5007      |             | Federring     | anneau de ressort  | anello di molla    | spring ring         | M5       | 2  | 12/97         |
| 10   | 71.3360        |             | Schieber      | curseur            | cursore            | draught valve       |          | 1  | 12/97         |
| 11   | 71.3045.06     |             | Schieber      | curseur            | cursore            | draught valve       |          | 1  | 12/97         |
| 12   | 71.3353        |             | Hebel         | levier             | leva               | lever               |          | 1  | 12/97         |
| 13   | 71.0142        |             | Hülse         | douille            | guscio             | sleeve              |          | 4  | 12/97         |
| 14   | 1701 3010      | 1 101 8579  | Mutter        | écrou              | dado               | nut                 | M6       | 12 | 12/97         |
| 16   | 71.3362.01     |             | Verbindung    | connexion          | congiungimento     | connection          | 150-200l | 1  | 12/97         |
|      | 71.3362.02     |             | Verbindung    | connexion          | congiungimento     | connection          | 300l     | 1  | 12/97         |
| 17   | 71.3355        |             | Blech         | tôle               | lamiera            | sheet               |          | 1  | 12/97         |
| 20   | 71.3045.01     |             | Lager         | palier             | cuscinetto         | bearing             |          | 1  | 12/97         |
| 21   | 71.3045.03     |             | Welle         | axe                | albero             | shaft               |          | 1  | 12/97         |
| 22   | 71.3045.09     |             | Ring          | anneau             | anello             | ring                |          | 1  | 12/97         |
| 23   | 1701 7055      |             | Stift         | broche             | spina              | pivot               | Ø4x32    | 1  | 12/97         |
| 24   | 71.3045.07     |             | Halter        | fixation           | sostegno           | support             |          | 1  | 12/97         |
| 25   | 70.0139        | 1 900 0747  | Bolzen        | boulon             | bolzone            | bolt                |          | 1  | 12/97         |
| 26   | 712 344 742.11 |             | Kugel         | boule, sphère      | palla              | ball                | Ø28      | 1  | 12/97         |
| 27   | 1701 5065      |             | Seegerring    | rondelle Seeger    | anello             | seeger circlip ring |          | 1  | 12/97         |



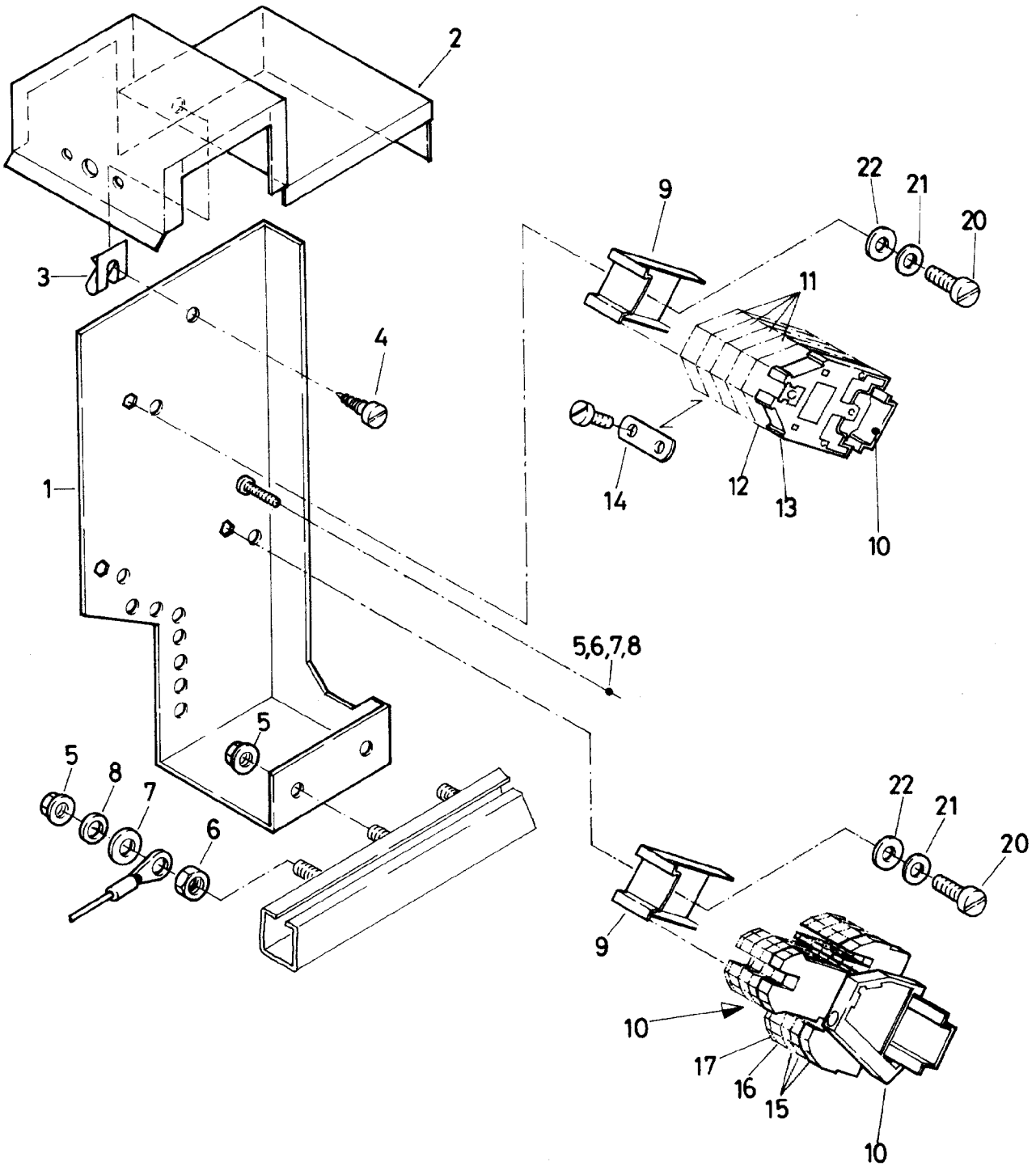
| Doc. No.          | Issue        | DE                  | FR                        | IT                          | GB               | Seite/ Page/ Pagina/ Page |
|-------------------|--------------|---------------------|---------------------------|-----------------------------|------------------|---------------------------|
| <b>76.9274.09</b> | <b>12/97</b> | <b>Baugruppe</b>    | <b>Unité</b>              | <b>Unità</b>                | <b>Unit</b>      | <b>1</b>                  |
| <b>(J)PEN</b>     |              | <b>Deckelventil</b> | <b>Vanne de couvercle</b> | <b>Valvola di coperchio</b> | <b>Lid valve</b> |                           |

| Pos. | Product No.    | Service No. | Bezeichnung             | Désignation                       | Designazione                     | Designation                 | 80 | 150 | 200 | 300 | Introduction |
|------|----------------|-------------|-------------------------|-----------------------------------|----------------------------------|-----------------------------|----|-----|-----|-----|--------------|
| 311  | 70.0144        | 1900 0675   | Deckelventil komplett   | vanne de couvercle complet        | valvola di coperchio completo    | lid valve complete          | x  | x   | x   | x   | 12/97        |
| 304  | 70.0139        | 1900 0747   | Hebel                   | levier                            | leva                             | lever                       | x  | x   | x   | x   | 12/97        |
| 305  | 712 344 733.06 | 1900 6076   | Kugelgriff Ø28mm        | poignée à boule                   | manetta a pomello                | ball handle                 | x  | x   | x   | x   | 12/97        |
| 308  | 70.1432        |             | Druckanzeige komplett   | indicateur de la pression complet | indicatore di pressione completo | pressure indicator complete | x  | x   | x   | x   | 12/97        |
| 312  | 70.0140        |             | Dampfabzug              | départ de vapeur                  | scarico del vapore               | steam outlet                | x  | x   | x   | x   | 12/97        |
| 313  | 712 044 480.01 | 1900 6654   | O-Ring                  | joint torique                     | anello                           | o-ring                      | x  | x   | x   | x   | 12/97        |
| 314  | 70.1502        |             | Ventilsitz              | siège de vanne                    | sede di valvola                  | valve seat                  | x  | x   | x   | x   | 12/97        |
| 315  | 70.0149        |             | Ventilkegel mit Bohrung | cône de vanne avec forure         | cono di valvola con foro         | valve cone with bore        | x  | x   | x   | x   | 12/97        |
| 316  | 70.0215        |             | Feder                   | ressort                           | molla                            | spring                      | x  | x   | x   | x   | 12/97        |
| 317  | 712 844 241    | 1900 3339   | Ueberwurfmutter         | écrou-raccord                     | dado a risvolto                  | union nut                   | x  | x   | x   | x   | 12/97        |
| 318  | 70.1497        | 1900 5044   | Dampfschikane           | chicane de vapeur                 | lamiera di sviamento             | steam baffle                | x  | x   | x   | x   | 12/97        |
| 319  | 70.0145        |             | Gehäuse                 | bâti                              | base                             | housing                     | x  | x   | x   | x   | 12/97        |
| 320  | 70.0147        |             | Ventileinsatz           | mécanisme de valve                | femmina dell'animella            | valve core                  | x  | x   | x   | x   | 12/97        |
| 321  | 70.0148        |             | Kurvenscheibe           | disque                            | disco                            | disk                        | x  | x   | x   | x   | 12/97        |
| 322  | 70.0150        |             | Scheibe                 | disque                            | disco                            | disk                        | x  | x   | x   | x   | 12/97        |
| 323  | 70.0128.02     | 1900 0763   | Nabe mit Bohrung        | moyeu avec forure                 | mozzo con foro                   | hub with bore               | x  | x   | x   | x   | 12/97        |
| 324  | 70.0151        |             | Zylinder                | cylindre                          | cilindro                         | cylinder                    | x  | x   | x   | x   | 12/97        |
| 325  | 1701 7077      |             | Stift                   | broche                            | spina                            | pivot                       | x  | x   | x   | x   | 12/97        |



| BEN/(J)PEN |               | Baugruppe<br>Steuerung | unité<br>commande | unità<br>comando       | unit<br>control system | 76.9274.10<br>1/2<br>12.97 |               |
|------------|---------------|------------------------|-------------------|------------------------|------------------------|----------------------------|---------------|
| Pos.       | Produkt Nr.   | Service Nr.            | Bezeichnung       | désignation            | designazione           | designation                | Type          |
| 1          | 76.9003       |                        | Träger            | support                | supporto               | support                    | 1             |
| 2          | 75.2011.01    |                        | Klemme            | borne                  | morsa                  | terminal                   | 5             |
| 3          | 75.2012.01    | 1802 5573              | Klemme            | borne                  | morsa                  | terminal                   | 1-2           |
| 4          | 712 344362.01 | 1802 5574              | Sicherung         | fusible                | fusibile               | fuse                       | 1             |
| 5          | 75.2010.11    |                        | Klemme            | borne                  | morsa                  | terminal                   | 5             |
| 6          | 75.2010.10    |                        | Klemme            | borne                  | morsa                  | terminal                   | 11            |
| 7          | 75.2013       |                        | Arretierstück     | pièce d'arrête         | parte d'arresto        | stopper part               | 1             |
| 8          | 75.2010.12    |                        | Wand              | cloison                | parete                 | wall                       | 4             |
| 9          | 75.2010.14    |                        | Verbindung        | connexion              | congiungimento         | connection                 | 3             |
| 10         | 75.2012.02    |                        | Wand              | cloison                | parete                 | wall                       | 1-2           |
| 11         | 70.1371       | 1802 5441              | Transformator     | transformateur         | trasformatore          | transformer                | 200-440V<br>1 |
| 15         | 74.0216.03    |                        | Kanal             | conduit                | canale                 | channel                    | 1             |
| 16         | 712 044120.06 | 1101 8511              | Mutter            | écrou                  | dado                   | nut                        | M6<br>2       |
| 17         | 1 116 1077    | 1801 5346              | Bride             | bride                  | brida                  | shackle                    | 1             |
| 18         | 1 701 3502    |                        | Unterlagscheibe   | rondelle               | rondella               | washer                     | Ø4.3x9<br>1   |
| 19         | 1 701 2021    |                        | Schraube          | vis                    | vite                   | screw                      | M4x10<br>1    |
| 22         | 1115 1353     | 1800 5215              | Schütz            | contacteur-disjoncteur | contattore             | contactor                  | 12A<br>4      |
|            | 1115 1355     | 1800 1117              | Schütz            | contacteur-disjoncteur | contattore             | contactor                  | 23A<br>4      |
| 25         | 76.9011.01    |                        | Halter            | fixation               | sostegno               | support                    | 80mm<br>1-2   |
|            | 76.9011.02    |                        | Halter            | fixation               | sostegno               | support                    | 116mm<br>1-2  |
| 26         | 75.2010.30    |                        | Klemme            | borne                  | morsa                  | terminal                   | 6             |
|            | 75.2010.40    |                        | Klemme            | borne                  | morsa                  | terminal                   | 6             |
| 27         | 75.2010.31    |                        | Klemme            | borne                  | morsa                  | terminal                   | 1             |
|            | 75.2010.41    |                        | Klemme            | borne                  | morsa                  | terminal                   | 1             |
| 28         | 75.2011.02    |                        | Klemme            | borne                  | morsa                  | terminal                   | 2             |
|            | 75.2011.03    |                        | Klemme            | borne                  | morsa                  | terminal                   | 2             |
| 29         | 75.2010.23    |                        | Wand              | cloison                | parete                 | wall                       | 2             |
|            | 75.2010.43    |                        | Wand              | cloison                | parete                 | wall                       | 2             |
| 30         | 75.2010.34    |                        | Verbindung        | connexion              | congiungimento         | connection                 | 3             |
|            | 75.2010.44    |                        | Verbindung        | connexion              | congiungimento         | connection                 | 3             |
| 31         | 75.2010.10    |                        | Klemme            | borne                  | morsa                  | terminal                   | 3             |

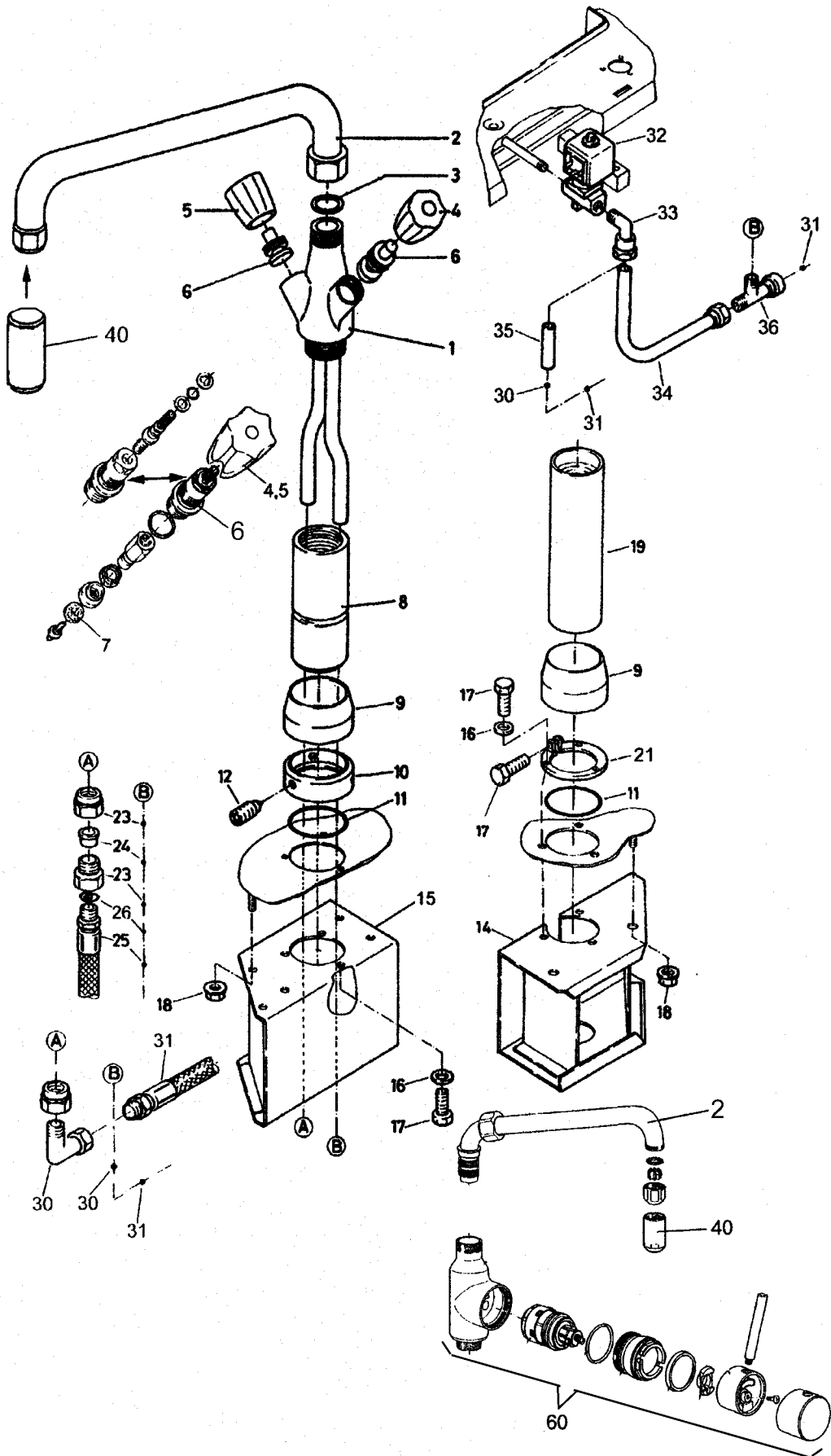
| BEN/(J)PEN |               | Baugruppe<br>Steuerung | unité<br>commande | unità<br>comando  | unit<br>control system | 76.9274.10<br>2/2<br>12.97 |            |
|------------|---------------|------------------------|-------------------|-------------------|------------------------|----------------------------|------------|
| Pos.       | Produkt Nr.   | Service Nr.            | Bezeichnung       | désignation       | designazione           | designation                | Type       |
| 32         | 75.2010.11    |                        | Klemme            | borne             | morsa                  | terminal                   | 1          |
| 33         | 75.2010.12    |                        | Wand              | cloison           | parete                 | wall                       | 1          |
| 34         | 75.2013       |                        | Arretierstück     | piece d'arrête    | parte d'arresto        | stopper part               | 2          |
| 37         | 1031 79       | 1101 8605              | Schraube          | vis               | vite                   | screw                      | M5x12<br>3 |
| 38         | 1 701 5004    |                        | Federring         | anneau de ressort | anello di molla        | spring ring                | M5<br>3    |
| 39         | 1 701 3535    |                        | Scheibe           | disque            | disco                  | disk                       | M5<br>2    |
| 40         | 76.0034       |                        | Halter            | fixation          | sostegno               | support                    | 1          |
| 41         | 712 044120.05 | 1101 8576              | Mutter            | écrou             | dado                   | nut                        | M5<br>1    |





| Doc. No.      | Index | Issue | DE               | FR                         | IT                        | GB                  | Seite/ Page/ Pagina/ Page |  |  |  |
|---------------|-------|-------|------------------|----------------------------|---------------------------|---------------------|---------------------------|--|--|--|
| 76.9274.13    |       | 12/97 | Baugruppe        | Unité                      | Unità                     | Unit                | 1                         |  |  |  |
| BEN<br>(J)PEN |       |       | Elektroanschluss | raccordement<br>électrique | collegamento<br>elettrico | electric connection |                           |  |  |  |

| Pos. | Product No.    | Service No. | Bezeichnung     | Désignation       | Designazione    | Designation  | Type   |  |   | Introduc-<br>-tion |
|------|----------------|-------------|-----------------|-------------------|-----------------|--------------|--------|--|---|--------------------|
| 1    | 76.9221        |             | Halter          | fixation          | sostegno        | support      |        |  | 1 | 12/97              |
| 2    | 76.9222        |             | Abdeckung       | couvercle         | copertura       | cover        |        |  | 1 | 12/97              |
| 3    | 712 044 121.01 | 1900 1235   | Mutter          | écrou             | dado            | nut          | Ø4.8   |  | 1 | 12/97              |
| 4    | 1701 7539      |             | Schraube        | vis               | vite            | screw        | 4.8x13 |  | 1 | 12/97              |
| 5    | 712 044 120.06 | 1101 8577   | Mutter          | écrou             | dado            | nut          | M6     |  | 4 | 12/97              |
| 6    | 1701 3016      | 1101 8572   | Mutter          | écrou             | dado            | nut          | M6     |  | 2 | 12/97              |
| 7    | 1701 4003      |             | Scheibe         | disque            | disco           | disk         | M6     |  | 2 | 12/97              |
| 8    | 1701 5007      |             | Federring       | anneau de ressort | anello di molla | spring ring  | M6     |  | 2 | 12/97              |
| 9    | 76.9011.01     |             | Halter          | fixation          | sostegno        | support      |        |  | 2 | 12/97              |
| 10   | 76.2013        |             | Arretierstück   | piece d'arrête    | parte d'arresto | stopper part |        |  | 3 | 12/97              |
| 11   | 75.2010.40     |             | Klemme          | borne             | morsa           | terminal     |        |  | 4 | 12/97              |
|      | 75.2010.50     |             | Klemme          | borne             | morsa           | terminal     |        |  | 4 | 12/97              |
| 12   | 75.2010.41     |             | Klemme          | borne             | morsa           | terminal     |        |  | 1 | 12/97              |
| 13   | 75.2011.03     |             | Klemme          | borne             | morsa           | terminal     |        |  | 1 | 12/97              |
|      | 75.2011.04     |             | Klemme          | borne             | morsa           | terminal     |        |  | 1 | 12/97              |
| 14   | 75.2010.44     |             | Verbindung      | connexion         | congiungimento  | connection   |        |  | 1 | 12/97              |
|      | 75.2010.54     |             | Verbindung      | connexion         | congiungimento  | connection   |        |  | 1 | 12/97              |
| 15   | 75.2011.10     |             | Klemme          | borne             | morsa           | terminal     |        |  | 3 | 12/97              |
| 16   | 75.2011.11     |             | Klemme          | borne             | morsa           | terminal     |        |  | 1 | 12/97              |
| 17   | 75.2011.12     |             | Wand            | cloison           | parete          | wall         |        |  | 1 | 12/97              |
| 20   | 10.3179        |             | Schraube        | vis               | vite            | screw        | M5x12  |  | 2 | 12/97              |
| 21   | 1701 5004      |             | Federring       | anneau de ressort | anello di molla | spring ring  | M5     |  | 2 | 12/97              |
| 22   | 1701 3535      |             | Unterlagscheibe | rondelle          | rondella        | washer       | M5     |  | 2 | 12/97              |



| Doc. No.   | Index | Issue | DE                      | FR                            | IT                 | GB                    | Seite/ Page/ Pagina/ Page |  |  |  |  |  |
|------------|-------|-------|-------------------------|-------------------------------|--------------------|-----------------------|---------------------------|--|--|--|--|--|
| 76.9274.17 |       | 12/97 | <b>Baugruppe</b>        | <b>Unité</b>                  | <b>Unità</b>       | <b>Unit</b>           | 1                         |  |  |  |  |  |
| <b>BEN</b> |       |       | Mischbatterie<br>THERMA | batterie mélangeuse<br>THERMA | Batteria<br>THERMA | mixing unit<br>THERMA |                           |  |  |  |  |  |
| <b>PEN</b> |       |       |                         |                               |                    |                       |                           |  |  |  |  |  |

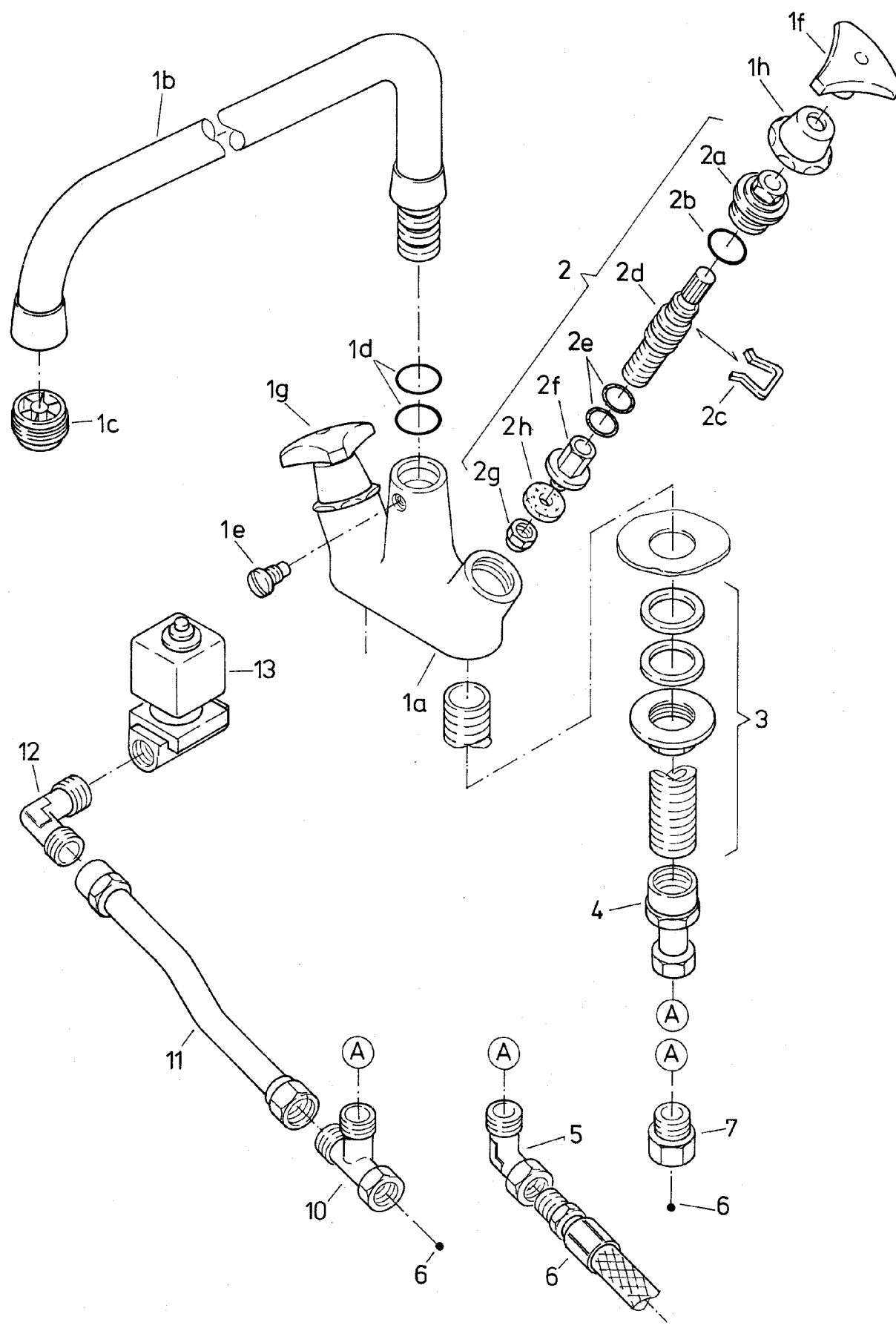
| Pos. | Product No.    | Service No.         | Bezeichnung               | Désignation                    | Designazione                      | Designation             | Type     |  |  |  |  |  |   | Introduction |
|------|----------------|---------------------|---------------------------|--------------------------------|-----------------------------------|-------------------------|----------|--|--|--|--|--|---|--------------|
| 1    | 712 344 884.01 | 1900 3024           | Mischbatterie<br>komplett | batterie mélangeuse<br>complet | batteria<br>completo              | mixing unit<br>complete |          |  |  |  |  |  | 1 | 12/97        |
| 2    | 712 344 884.02 | 1900 3119           | Schwenkrohr               | tuyau pivotant                 | tubo orientabile                  | swivel tube             | 300mm    |  |  |  |  |  | 1 | 12/97        |
|      | 712 344 884.04 | 1900 3119           | Schwenkrohr               | tuyau pivotant                 | tubo orientabile                  | swivel tube             | 600mm    |  |  |  |  |  |   | 12/97        |
|      | 712 344 884.03 |                     | Schwenkrohr               | tuyau pivotant                 | tubo orientabile                  | swivel tube             | 450mm    |  |  |  |  |  |   | 12/97        |
| 3    |                | 1900 6781           | Dichtung                  | joint                          | guarnizione                       | sealing                 |          |  |  |  |  |  | 1 | 12/97        |
| 4    |                | 1900 6143           | Griff blau                | poignée bleu                   | manetta blu                       | knob blue               | black    |  |  |  |  |  | 1 | 12/97        |
|      |                | KWC<br>Z503.009.000 | Griff blau                | poignée bleu                   | manetta blu                       | knob blue               | metallic |  |  |  |  |  | 1 | 02/01        |
| 5    |                | 1900 6144           | Griff rot                 | poignée rouge                  | manetta rosso                     | knob red                | black    |  |  |  |  |  | 1 | 12/97        |
|      |                | KWC<br>Z503.008.000 | Griff rot                 | poignée rouge                  | manetta rosso                     | knob red                | metallic |  |  |  |  |  | 1 | 02/01        |
| 6    |                | 1900 3084           | Ventileinsatz<br>komplett | mécanisme de valve<br>complet  | femmina dell'animella<br>completo | valve core<br>complete  |          |  |  |  |  |  | 2 | 12/97        |
| 7    |                | 1900 6730           | Dichtung                  | joint                          | guarnizione                       | sealing                 |          |  |  |  |  |  | 2 | 12/97        |
| 8    | 72.0318.03     |                     | Standrohr                 | tuyau de vidange               | tubo verticale                    | standing pipe           | 160mm    |  |  |  |  |  | 1 | 12/97        |
| 9    | 72.0435        |                     | Abdeckung                 | couvercle                      | copertura                         | cover                   |          |  |  |  |  |  | 1 | 12/97        |
| 10   | 72.0450        |                     | Haltering                 | anneau de fixation             | anello di sostegno                | retaining ring          |          |  |  |  |  |  | 1 | 12/97        |
| 11   | 712 044 480.14 |                     | O-Ring                    | joint torique                  | anello                            | o-ring                  | 2/53/57  |  |  |  |  |  | 1 | 12/97        |
| 12   | 1701 5524      | 1900 6959           | Schraube                  | vis                            | vite                              | screw                   | M8x12    |  |  |  |  |  | 3 | 12/97        |
| 15   | 76.0117        |                     | Konsole                   | console                        | mensola                           | console                 |          |  |  |  |  |  | 1 | 12/97        |
| 16   | 1701 5004      |                     | Federring                 | anneau de ressort              | anello di molla                   | spring ring             | M5       |  |  |  |  |  | 3 | 12/97        |
| 17   | 1701 2632      |                     | Schraube                  | vis                            | vite                              | screw                   | M4x16    |  |  |  |  |  | 3 | 12/97        |
| 18   | 712 044 120.05 | 1101 8576           | Mutter                    | écrou                          | dado                              | nut                     | M5       |  |  |  |  |  | 4 | 12/97        |

| Doc. No.   | Index | Issue | DE               | FR           | IT           | GB          | Seite/ Page/ Pagina/ Page |  |  |  |  |
|------------|-------|-------|------------------|--------------|--------------|-------------|---------------------------|--|--|--|--|
| 76.9274.17 |       | 12/97 | <b>Baugruppe</b> | <b>Unité</b> | <b>Unità</b> | <b>Unit</b> | <b>2</b>                  |  |  |  |  |
| <b>BEN</b> |       |       | Mischbatterie    | mitigeur     | batteria     | mixing unit |                           |  |  |  |  |
| <b>PEN</b> |       |       |                  |              |              |             |                           |  |  |  |  |

| Pos. | Product No.    | Service No. | Bezeichnung | Désignation    | Designazione    | Designation | Type |  |  |  |  |   | Introduction |
|------|----------------|-------------|-------------|----------------|-----------------|-------------|------|--|--|--|--|---|--------------|
| 23   | 1101 3795      |             | Nippel      | mamelon        | raccordo        | nipple      | 1/2" |  |  |  |  | 2 | 12/97        |
| 24   | 1101 3797      | 1900 6958   | Hülse       | douille        | guscio          | sleeve      |      |  |  |  |  | 2 | 12/97        |
| 25   | 712 344 893.02 | 1900 3189   | Schlauch    | tuyau flexible | tubo flessibile | hose        |      |  |  |  |  | 2 | 12/97        |
| 26   | 712 044 481.21 |             | Dichtung    | joint          | guarnizione     | washer      |      |  |  |  |  | 2 | 12/97        |
| 30   | 1101 2109      |             | Winkel      | angle          | angolo          | angle       |      |  |  |  |  | 2 | 12/97        |
| 31   | 712 344 894    | 1 900 3193  | Schlauch    | tuyau flexible | tubo flessibile | hose        |      |  |  |  |  | 2 | 12/97        |
| 32   | 76.3048        | 1 900 2498  | Ventil      | soupape, vanne | valvola         | valve       |      |  |  |  |  | 1 | 12/97        |
| 32a  | 76.4935        | 1800 5648   | Stecker     | fiche          | spina           | plug        |      |  |  |  |  | 1 | 12/97        |
| 32b  | 76.9064.02     |             | Kabel       | câble          | cavo            | cable       |      |  |  |  |  | 1 | 12/97        |
| 33   | 1101 2138      |             | Winkel      | angle          | angolo          | angle       |      |  |  |  |  | 1 | 12/97        |
| 34   | 76.5266.01     |             | Leitung     | conduite       | conduttura      | conduit     |      |  |  |  |  | 1 | 12/97        |
| 35   | 76.5266.02     |             | Leitung     | conduite       | conduttura      | conduit     |      |  |  |  |  | 1 | 12/97        |
| 36   | 1101 2139      |             | T-Stück     | pièce en T     | pezzo a T       | T-part      |      |  |  |  |  | 1 | 12/97        |

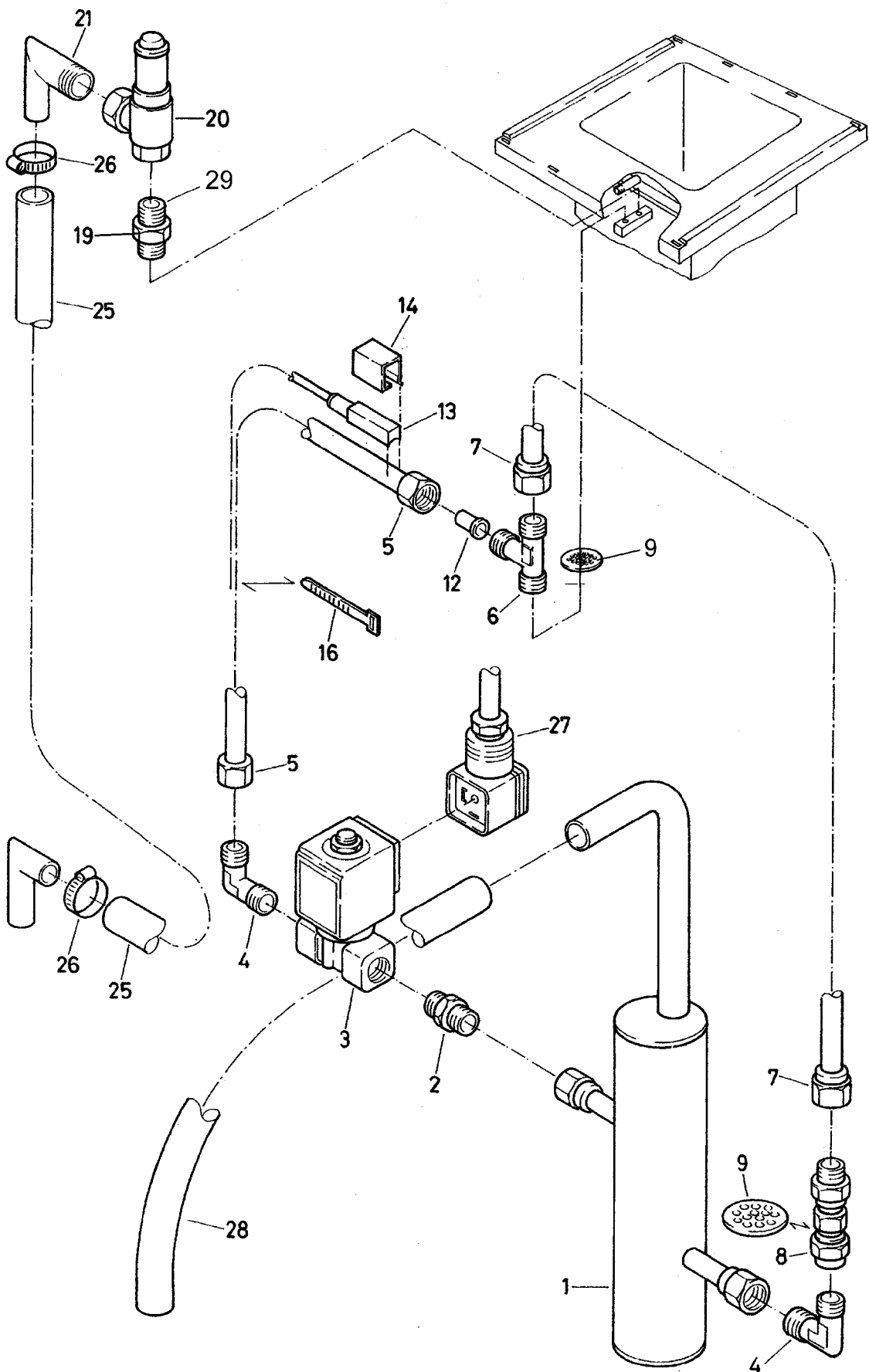
|    |            |  |           |                    |                    |                |       |  |  |  |  |   |       |
|----|------------|--|-----------|--------------------|--------------------|----------------|-------|--|--|--|--|---|-------|
| 14 | 76.4981    |  | Konsole   | console            | mensola            | console        |       |  |  |  |  | 1 | 09/99 |
| 19 | 76.5976.03 |  | Standrohr | tuyau de vidange   | tubo verticale     | standing pipe  | 160mm |  |  |  |  | 1 | 09/99 |
| 21 | 76.5919    |  | Haltering | anneau de fixation | anello di sostegno | retaining ring |       |  |  |  |  | 1 | 09/99 |

|    |                |  |                       |                           |                             |                                |  |  |  |  |  |   |       |
|----|----------------|--|-----------------------|---------------------------|-----------------------------|--------------------------------|--|--|--|--|--|---|-------|
| 40 | 1105 1251      |  | Tropfverhinderer      | anti gouttes              | antigocce                   | drip stop                      |  |  |  |  |  | 1 | 03/00 |
| 60 | 712 344 884.05 |  | Hebelmischer komplett | mitigeur à levier complet | miscelatori a leva completo | mixer unit with lever complete |  |  |  |  |  | 1 | 1999  |



| Doc. No.    | Index | Issue | DE                    | FR                          | IT               | GB                  | Seite/ Page/ Pagina/ Page |  |  |
|-------------|-------|-------|-----------------------|-----------------------------|------------------|---------------------|---------------------------|--|--|
| 76.9274.17a |       | 12/97 | Baugruppe             | Unité                       | Unità            | Unit                | 1                         |  |  |
| JPEN        |       |       | Mischbatterie<br>JUNO | batterie mélangeuse<br>JUNO | batteria<br>JUNO | mixing unit<br>JUNO |                           |  |  |

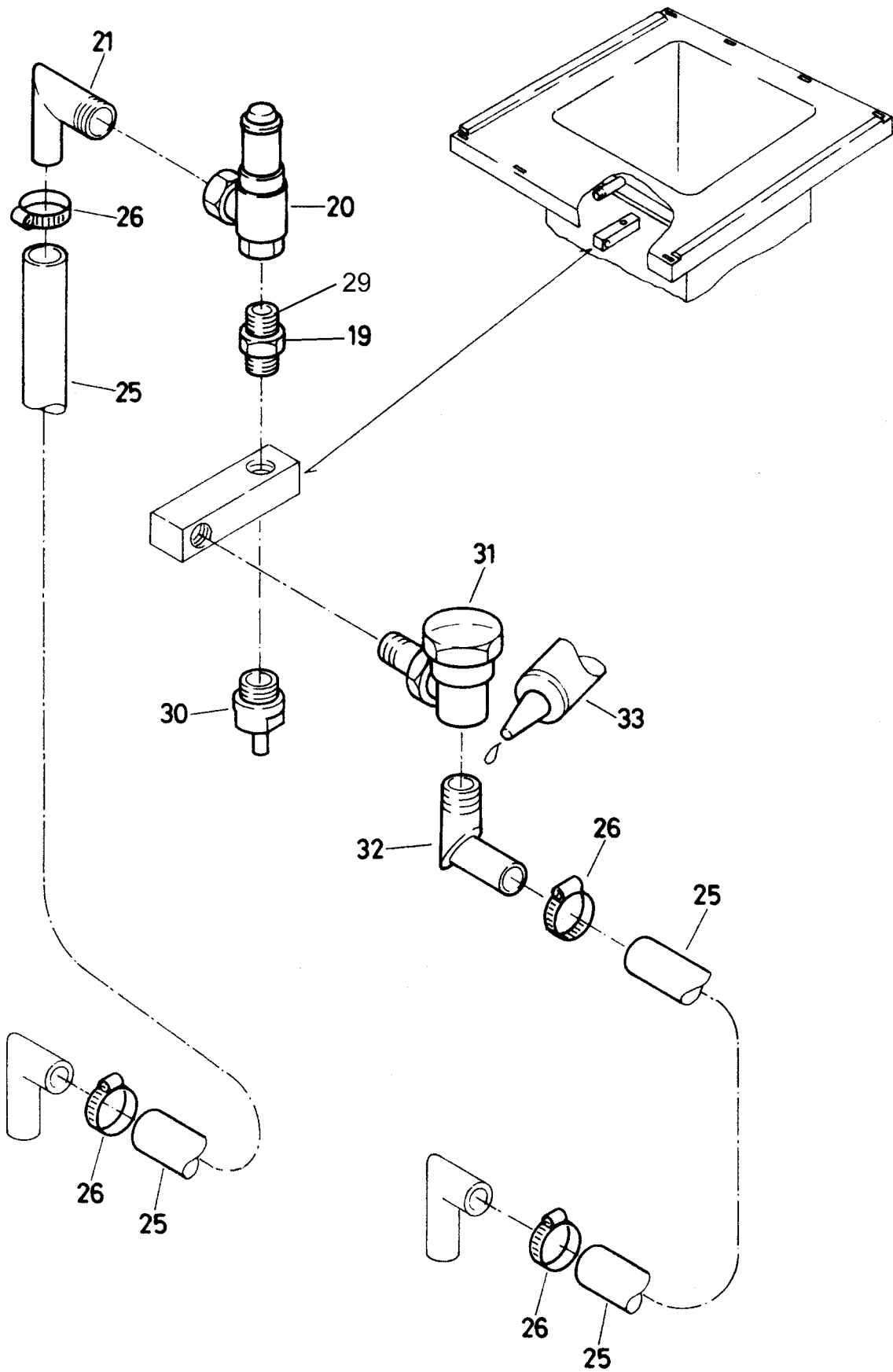
| Pos. | Product No. | Service No. | Bezeichnung               | Désignation                    | Designazione                      | Designation             | Type |      |  | Introduction |
|------|-------------|-------------|---------------------------|--------------------------------|-----------------------------------|-------------------------|------|------|--|--------------|
| 1    | 1105 1252   |             | Mischbatterie<br>komplett | batterie mélangeuse<br>complet | batteria<br>completo              | mixing unit<br>complete |      | 1    |  | 12/97        |
| 1a   |             |             | Gehäuse                   | boîtier                        | base                              | housing                 |      | 1    |  | 12/97        |
| 1b   |             |             | Schwenkrohr               | tuyau pivotant                 | tubo orientabile                  | swivel tube             |      | 1    |  | 12/97        |
| 1c   |             |             | Strahlbrecher             | brise-jet                      | interruttore di getti             | beam deflector          |      | 1    |  | 12/97        |
| 1d   |             |             | O-Ring                    | joint torique                  | anello                            | o-ring                  |      | 2    |  | 12/97        |
| 1e   |             |             | Schraube                  | vis                            | vite                              | screw                   |      | 1    |  | 12/97        |
| 1f   |             |             | Griff blau                | poignée bleu                   | manetta blu                       | knob blue               |      | 1    |  | 12/97        |
| 1g   |             |             | Griff rot                 | poignée rouge                  | manetta rosso                     | knob red                |      | 1    |  | 12/97        |
| 1h   |             |             | Kappe                     | capuchon                       | cappa                             | cap                     |      | 2    |  | 12/97        |
| 2    |             |             | Ventileinsatz<br>komplett | mécanisme de valve<br>complet  | femmina dell'animella<br>completo | valve core<br>complete  |      | 2    |  | 12/97        |
| 2a   |             |             | Käfig                     | cage                           | gabbia                            | cage                    |      | 2    |  | 12/97        |
| 2b   |             |             | O-Ring                    | joint torique                  | anello                            | o-ring                  |      | 1    |  | 12/97        |
| 2c   |             |             | Sicherungsring            | anneau de sécurité             | anello di fusibile                | retaining ring          |      | 2    |  | 12/97        |
| 2d   |             |             | Spindel                   | broche                         | asta                              | spindle                 |      | 2    |  | 12/97        |
| 2e   |             |             | O-Ring                    | joint torique                  | anello                            | o-ring                  |      | 4    |  | 12/97        |
| 2f   |             |             | Kolben                    | piston                         | pistone                           | piston                  |      | 2    |  | 12/97        |
| 2g   |             |             | Mutter                    | écrou                          | dado                              | nut                     |      | 2    |  | 12/97        |
| 2h   |             |             | Dichtung                  | joint                          | guarnizione                       | sealing                 |      | 2    |  | 12/97        |
| 3    | 1201 1957   |             | Montageteile              | pièces de montage              | pezzi di montaggio                | mounting parts          |      | 2    |  | 12/97        |
| 4    | 1101 3902   |             | Muffe                     | manchon                        | manicotto                         | muff                    |      | 2    |  | 12/97        |
| 5    | 1101 2109   |             | Winkel                    | angle                          | angolo                            | angle                   |      | 2    |  | 12/97        |
| 6    | 712 344 894 | 1900 3193   | Schlauch                  | tuyau flexible                 | tubo flessibile                   | hose                    |      | 2(1) |  | 12/97        |
| 10   | 1101 2139   |             | T-Stück                   | pièce en T                     | pezzo a T                         | T-part                  |      | 1    |  | 12/97        |
| 11   | 76.5372     |             | Leitung                   | conduite                       | conduttura                        | conduit                 |      | 1    |  | 12/97        |
| 12   | 1101 2138   |             | Winkel                    | angle                          | angolo                            | angle                   |      | 1    |  | 12/97        |
| 13   | 76.3048     | 1 900 2498  | Ventil                    | soupape                        | valvola                           | valve                   |      | 1    |  | 12/97        |
| 13a  | 76.4935     | 1800 5648   | Stecker                   | fiche                          | spina                             | plug                    |      | 1    |  | 12/97        |
| 13b  | 76.9193.01  |             | Kabel                     | câble                          | cavo                              | cable                   |      | 1    |  | 12/97        |
| 14   | 1201 1813   |             | Loctite 577               |                                |                                   |                         |      |      |  | 12/97        |



| Doc. No.              | Index | Issue | DE         | FR         | IT           | GB         | Seite/ Page/ Pagina/ Page |  |  |
|-----------------------|-------|-------|------------|------------|--------------|------------|---------------------------|--|--|
| 76.9274.18            |       | 12/97 | Baugruppe  | Unité      | Unità        | Unit       | 1                         |  |  |
| BEN-E,H<br>(J)PEN-E,H |       |       | Entlüftung | deaération | deaereazione | deaeration |                           |  |  |

| Pos. | Product No. | Service No. | Bezeichnung            | Désignation           | Designazione             | Designation            | Type       |   | Introduction |
|------|-------------|-------------|------------------------|-----------------------|--------------------------|------------------------|------------|---|--------------|
|      | 76.5263     |             | Entlüftung<br>komplett | deaération<br>complet | deaereazione<br>completo | deaeration<br>complete |            | 1 | 09/97        |
| 1    | 76.4270.01  |             | Kondensator            | condenseur            | condensatore             | condenser              |            | 1 | 12/97        |
| 2    | 1101 3901   |             | Nippel                 | mamelon               | raccordo                 | nipple                 |            | 1 | 12/97        |
| 3    | 76.3035     | 1900 2497   | Solenoidventil         | vanne solénoïde       | elettrovalvola           | solenoid valve         |            | 1 | 12/97        |
| 4    | 1101 3757   |             | Winkel                 | angle                 | angolo                   | angle                  |            | 2 | 12/97        |
| 5    | 76.5264.02  |             | Leitung                | conduite              | conduttura               | conduit                |            | 1 | 12/97        |
| 6    | 1101 3892   |             | Verschraubung          | vissage               | collegamento             | screwing               |            | 1 | 12/97        |
| 7    | 76.5264.01  |             | Leitung                | conduite              | conduttura               | conduit                |            | 1 | 12/97        |
| 8    | 1101 2136   | 1900 2495   | Rückschlagventil       | soupape anti-retour   | valvola antiritorno      | check valve            |            | 1 | 12/97        |
| 9    | 76.3061     | 1900 6974   | Filter                 | filtre                | filtro                   | filter                 |            | 2 | 12/97        |
| 11   | 1201 1510   |             | Paste                  | pâte                  | pasta                    | paste                  |            | 1 | 12/97        |
| 12   | 1101 3747   |             | Hülse                  | douille               | guscio                   | sleeve                 |            | 1 | 12/97        |
| 13   | 76.3062     | 1802 5575   | Fühler                 | sonde                 | sensore                  | sensor                 |            | 1 | 12/97        |
| 14   | 76.4191     | 1802 5576   | Klammer                | crampon               | grappa                   | clamp                  |            | 1 | 12/97        |
| 16   | 1115 1235   |             | Kabelbride             | bride pour câble      | brida di cavo            | cable clamp            |            | 3 | 12/97        |
| 19   | 1117 1192   |             | Verschraubung          | vissage               | collegamento             | screwing               |            | 1 | 12/97        |
| 20   | 75.7000.02  | 1900 2496   | Sicherheitsventil      | soupape de sécurité   | valvola di sicurezza     | safety valve           |            | 1 | 12/97        |
|      | 76.4462     | 1900 2496   | Sicherheitsventil      | soupape de sécurité   | valvola di sicurezza     | safety valve           |            | 1 | 05/99        |
| 21   | 76.4365     |             | Winkel                 | angle                 | angolo                   | angle                  |            | 1 | 12/97        |
| 25   | 1115 1417   | 1901 6160   | Schlauch               | tuyau flexible        | tubo flessibile          | hose                   |            | 1 | 12/97        |
| 26   | 1103 1170   |             | Bride                  | bride                 | brida                    | shackle                |            | 6 | 12/97        |
| 27   | 76.4935     | 1800 5648   | Stecker                | fiche, connecteur     | spina                    | plug                   |            | 1 | 12/97        |
| 27a  | 76.9193.01  |             | Kabel                  | câble                 | cavo                     | cable                  |            | 1 | 12/97        |
| 28   | 12.9043     | 1900 3185   | Schlauch               | tuyau flexible        | tubo flessibile          | hose                   | Ø14/10x600 | 1 | 12/97        |
| 29   | 21 775      |             | Teflonband             | ruban en téflon       | nastro di teflon         | teflon band            |            | 1 | 09/00        |
| 30   | 1117 1239   |             | Stopfen                | bouchon               | tappo                    | plug                   |            | 1 | 09/98        |
| 31   | 1101 2157   |             | Ring                   | anneau                | anello                   | ring                   |            | 1 | 09/98        |
| 32   |             |             | Loctite 577            |                       |                          |                        |            | 1 | 09/98        |

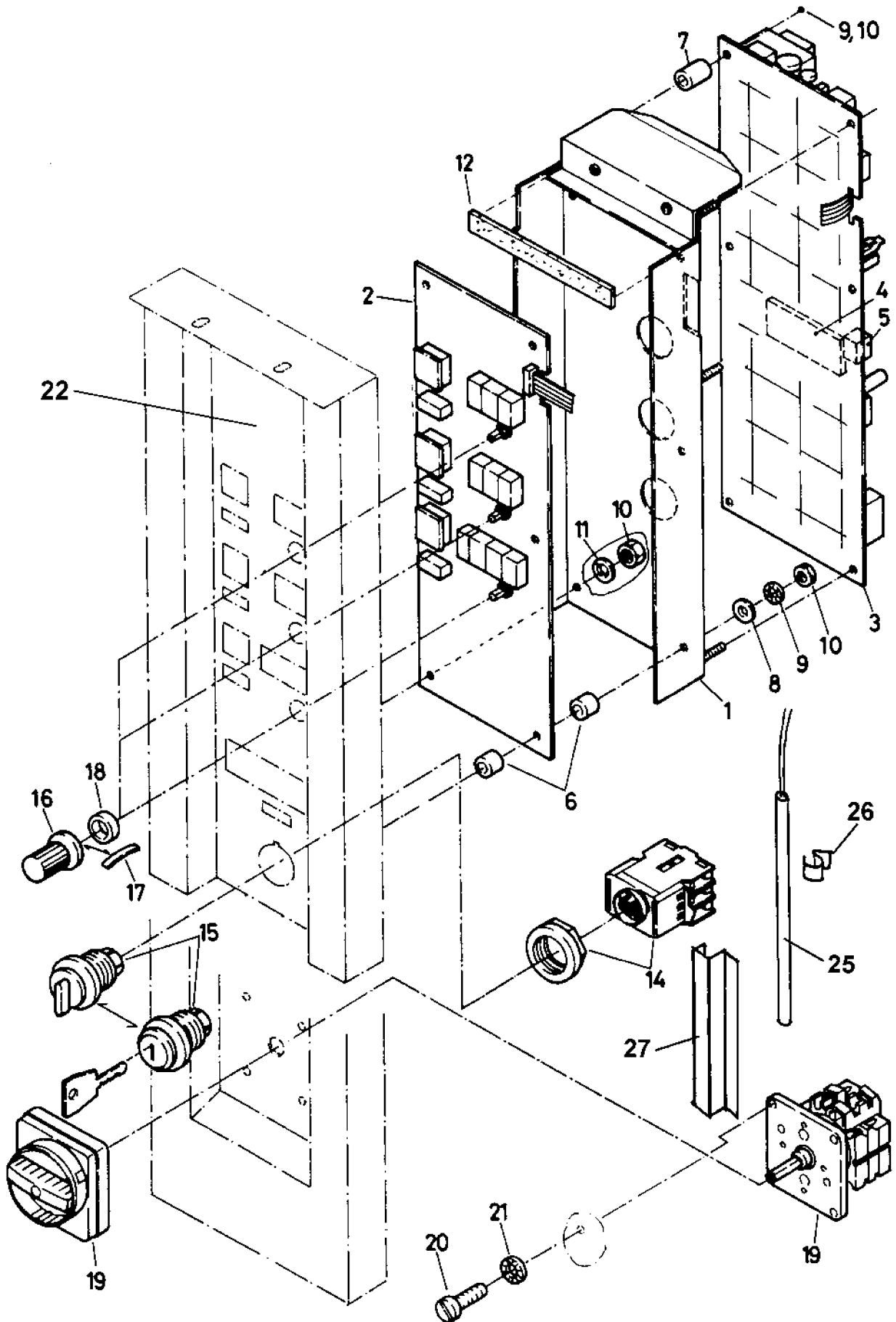




| Doc. No.          | Index | Issue | DE         | FR         | IT           | GB         | Seite/ Page/ Pagina/ Page |  |  |
|-------------------|-------|-------|------------|------------|--------------|------------|---------------------------|--|--|
| 76.9274.19        |       | 12/97 | Baugruppe  | Unité      | Unità        | Unit       | 1                         |  |  |
| BEN-S<br>(J)PEN-S |       |       | Entlüftung | deaération | deaereazione | deaeration |                           |  |  |

| Pos. | Product No.       | Service No. | Bezeichnung            | Désignation           | Designazione             | Designation            | Type      |   | Introduction |
|------|-------------------|-------------|------------------------|-----------------------|--------------------------|------------------------|-----------|---|--------------|
|      | 76.4440           |             | Entlüftung<br>komplett | deaération<br>complet | deaereazione<br>completo | deaeration<br>complete |           | 1 | 09/97        |
| 19   | 1117 1192         |             | Verschraubung          | vissage               | collegamento             | screwing               |           | 1 | 12/97        |
| 20   | 75.7000.02        | 1900 2496   | Sicherheitsventil      | soupape de sécurité   | valvola di sicurezza     | safety valve           |           | 1 | 12/97        |
|      | 76.4462           | 1900 2496   | Sicherheitsventil      | soupape de sécurité   | valvola di sicurezza     | safety valve           |           | 1 | 05/99        |
| 21   | 76.4365           |             | Winkel                 | angle                 | angolo                   | angle                  |           | 1 | 12/97        |
| 25   | 1115 1417         | 1901 6160   | Schlauch               | tuyau flexible        | tubo flessibile          | hose                   |           | 2 | 12/97        |
| 26   | 1103 1170         |             | Bride                  | bride                 | brida                    | shackle                |           | 4 | 12/97        |
| 29   | 21 775            |             | Teflonband             | ruban en téflon       | nastro di teflon         | teflon band            |           | 1 | 09/00        |
| 30   | 12 7296           |             | Belüfter               | aérateur              | aereatore                | aerator                |           | 1 | 09/97        |
| 31   | 712 344 882       | 1900 3281   | Entlüfter              | deaérateur            | deaereatore              | deaerator              | roh       | 1 | 09/97        |
|      | 1201 2065         |             | Entlüfter              | deaérateur            | deaereatore              | deaerator              | verchromt | 1 | 09/97        |
|      | Spirax 030.150.01 |             | Membran-Element        | membrane élément      | membrana elemento        | membrane element       | 13°C      |   |              |
|      | Spirax 030.150.03 |             | Membran-Element        | membrane élément      | membrana elemento        | membrane element       | 6°C       |   |              |
| 31   | 712 344 882       | 1900 3281   | Entlüfter              | deaérateur            | deaereatore              | deaerator              | verchromt | 1 | 09/97        |
|      | 1201 2016         |             | Entlüfter              | deaérateur            | deaereatore              | deaerator              | roh       | 1 | 09/97        |
| 32   | 76.4365           |             | Winkerverschraubung    | raccord d'angle vissé | collegamento d'angolo    | angular fitting        |           | 1 | 09/97        |
| 33   | 1201 1813         |             | Loctite 577            |                       |                          |                        |           | 1 | 09/97        |

| Pos. | Product No. | Service No. | Bezeichnung       | Désignation         | Designazione         | Designation  | Type      |   | Introduction     |
|------|-------------|-------------|-------------------|---------------------|----------------------|--------------|-----------|---|------------------|
| 19   | 1117 1192   |             | Verschraubung     | vissage             | collegamento         | screwing     |           | 1 | 27. week<br>2004 |
| 20   | 76.4462     | 1900 2496   | Sicherheitsventil | soupape de sécurité | valvola di sicurezza | safety valve |           | 1 |                  |
| 21   | 1 102 2414  |             | Winkel            | angle               | angolo               | angle        |           | 1 |                  |
| 25   | 1115 1417   | 1901 6160   | Schlauch          | tuyau flexible      | tubo flessibile      | hose         |           | 2 |                  |
| 26   | 1103 1170   |             | Bride             | bride               | brida                | shackle      |           | 6 |                  |
| 29   | 21 775      |             | Teflonband        | ruban en téflon     | nastro di teflon     | teflon band  |           | 1 |                  |
| 30   | 12 7296     |             | Belüfter          | aérateur            | aereatore            | aerator      |           | 1 |                  |
| 31   | 712 344 882 | 1900 3281   | Entlüfter         | deaérateur          | deaereatore          | deaerator    | verchromt | 1 |                  |
|      | 1201 2016   |             | Entlüfter         | deaérateur          | deaereatore          | deaerator    | roh       | 1 |                  |
| 34   | 1 102 2435  |             | T-Stück           | pièce en T          | pezzo a T            | T-part       |           | 1 |                  |
| 33   | 1201 1813   |             | Loctite 577       |                     |                      |              |           | 1 | 09/97            |

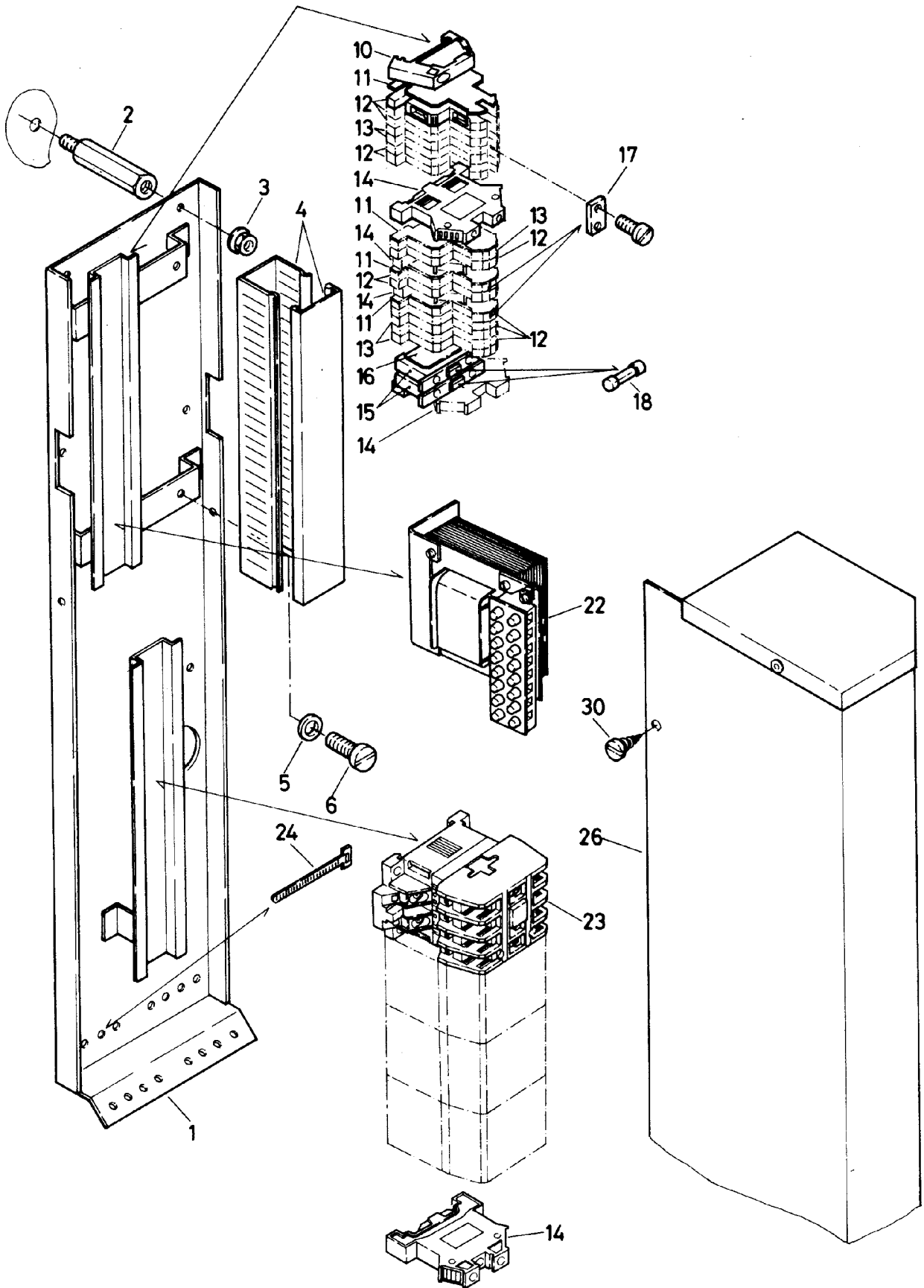


| Doc. No.              | Index | Issue | DE                         | FR                              | IT                             | GB                             | Seite/ Page/ Pagina/ Page |  |  |
|-----------------------|-------|-------|----------------------------|---------------------------------|--------------------------------|--------------------------------|---------------------------|--|--|
| 76.9274.22            |       | 12/97 | <b>Baugruppe</b>           | <b>Unité</b>                    | <b>Unità</b>                   | <b>Unit</b>                    | <b>1</b>                  |  |  |
| <b>BEN<br/>(J)PEN</b> |       |       | Schalterfront<br>Steuerung | panneau de commande<br>commande | pannello di comando<br>comando | switch panel<br>control system |                           |  |  |

| Pos.      | Product No. | Service No. | Bezeichnung       | Désignation            | Designazione        | Designation           | Type   |                      | Introduc-tion |
|-----------|-------------|-------------|-------------------|------------------------|---------------------|-----------------------|--------|----------------------|---------------|
| 1         | 76.9039     |             | Blech             | tôle                   | lamiera             | sheet                 |        | 1                    | 12/97         |
| 2         | 76.9110     | 1802 5566   | Bedienungsprint   | plaque imprimé/service | print di servizio   | operating print       | E1     | 1                    | 12/97         |
|           | 76.9111     | 1802 5565   | Bedienungsprint   | plaque imprimé/service | print di servizio   | operating print       | E2     | 1                    | 12/97         |
| 3         | 76.9006     | 1802 5567   | Steuerprint       | plaque imprimé/contrôl | print di comando    | control circuit board |        | 1                    | 12/97         |
| 4         | 76.9176.02  |             | Processor         | processeur             | processore          | processor             |        | BPTH2.62<br>BPTH5.06 | 1<br>11/99    |
| 5         | 76.9180     |             | Speicher          | EEPROM                 | EEPROM              | EEPROM                |        | 1                    | 12/97         |
| 6         | 76.3011.01  |             | Distanzhülse      | douille de distance    | guscio di distanza  | spacer sleeve         | 8mm    | 12                   | 12/97         |
| 7         | 76.3011.03  |             | Distanzhülse      | douille de distance    | guscio di distanza  | spacer sleeve         | 12mm   | 5                    | 12/97         |
| 8         | 1701 3502   |             | Unterlagscheibe   | rondelle               | rondella            | washer                | Ø4.3x9 | 12                   | 12/97         |
| 9         | 1701 7060   |             | Scheibe           | disque                 | disco               | disk                  | M4     | 12                   | 12/97         |
| 10        | 1701 3004   |             | Mutter            | écrou                  | dado                | nut                   | M4     | 15                   | 12/97         |
| 11        | 1701 5002   |             | Federring         | anneau de ressort      | anello di molla     | spring ring           | M4     | 1                    | 12/97         |
| 12        | 1201 1522   | 1101 9072   | Dichtung          | joint                  | guarnizione         | sealing               |        | 1                    | 12/97         |
| 14        | 76.9108.01  | 1802 5577   | Schalter          | interrupteur           | interruttore        | switch                |        | 1                    | 12/97         |
| 15        | 76.9075.01  | 1802 5568   | Knopf             | bouton                 | manopola            | knob                  |        | 1                    | 12/97         |
|           | 76.9075.02  |             | Knopf             | bouton                 | manopola            | knob                  |        | 1                    | 12/97         |
| 16        | 76.9010     | 1900 6975   | Griff             | poignée                | manetta             | knob                  |        | 3                    | 12/97         |
| 17        | 76.9130     | 1900 6976   | Feder             | ressort                | molla               | spring                |        | 3                    | 12/97         |
| 18        | 1201 1910   | 1900 6977   | Dichtung          | joint                  | guarnizione         | sealing               |        | 3                    | 12/97         |
| 16-<br>18 | 76.9036     | 1900 6963   | Griff<br>komplett | poignée<br>complet     | manetta<br>completo | knob<br>complete      |        | 3                    | 12/97         |
| 19        | 76.9164.01  | 1800 5649   | Schalter          | interrupteur           | interruttore        | switch                | 20A    | 1                    | 12/97         |
|           | 76.9164.02  | 1800 5650   | Schalter          | interrupteur           | interruttore        | switch                | 40A    | 1                    | 12/97         |
|           | 76.9164.03  | 1800 5651   | Schalter          | interrupteur           | interruttore        | switch                | 80A    | 1                    | 12/97         |
|           | 76.9164.04  |             | Schalter          | interrupteur           | interruttore        | switch                | 115A   | 1                    | 12/97         |
| 20        | 1701 2026   |             | Schraube          | vis                    | vite                | screw                 | M4x20  | 4                    | 12/97         |
|           | 1701 2039   |             | Schraube          | vis                    | vite                | screw                 | M5x20  | 4                    | 12/97         |
| 21        | 1701 7060   |             | Scheibe           | disque                 | disco               | disk                  | M4     | 4                    | 12/97         |
|           | 1701 7002   |             | Scheibe           | disque                 | disco               | disk                  | M5     | 4                    | 12/97         |

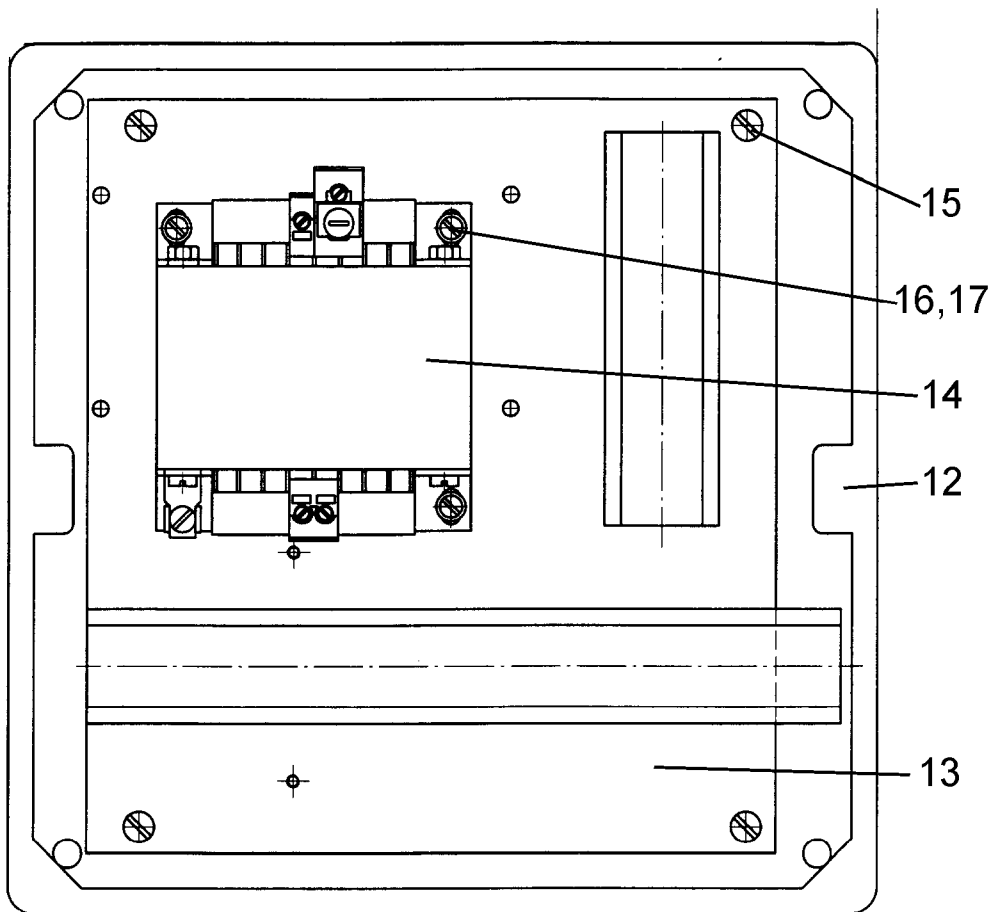
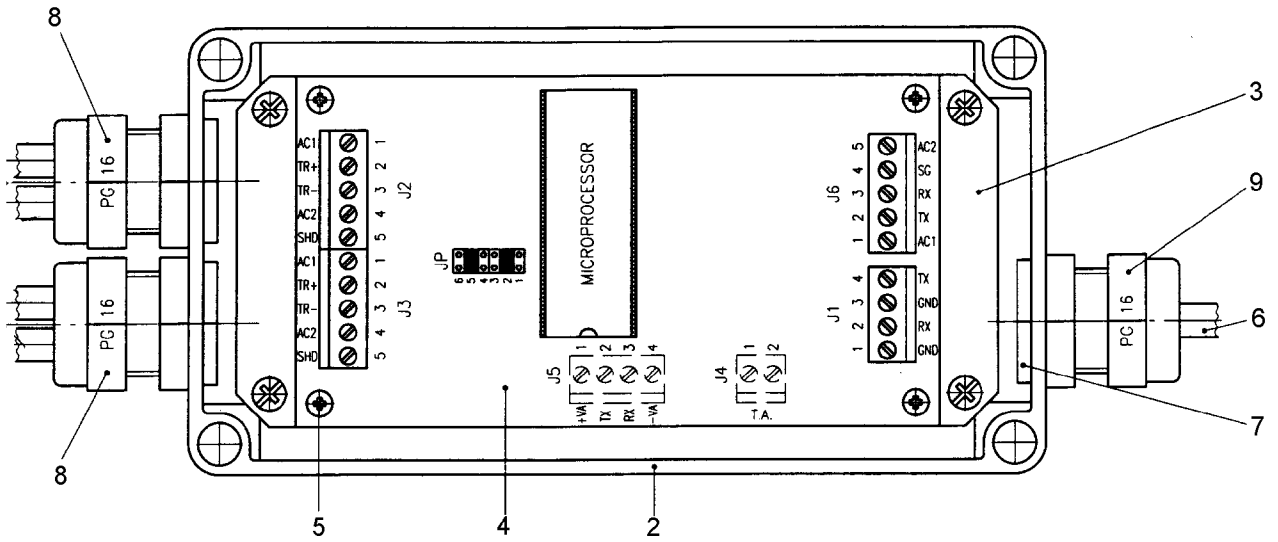
| Doc. No.      | Index | Issue | DE                         | FR                              | IT                             | GB                             | Seite/ Page/ Pagina/ Page |  |  |  |
|---------------|-------|-------|----------------------------|---------------------------------|--------------------------------|--------------------------------|---------------------------|--|--|--|
| 76.9274.22    |       | 12/97 | Baugruppe                  | Unité                           | Unità                          | Unit                           | 2                         |  |  |  |
| BEN<br>(J)PEN |       |       | Schalterfront<br>Steuerung | panneau de<br>commande commande | pannello di comando<br>comando | switch panel<br>control system |                           |  |  |  |

| Pos. | Product No. | Service No. | Bezeichnung            | Désignation                    | Designazione                 | Designation            | Type |                                     |        | Introduc-<br>tion |
|------|-------------|-------------|------------------------|--------------------------------|------------------------------|------------------------|------|-------------------------------------|--------|-------------------|
| 22   | 76.3020     |             | Folie                  | pellicule                      | placca                       | foil                   |      | Therma Comfort                      | BEN    | 12/97             |
|      | 76.3022     |             | Folie                  | pellicule                      | placca                       | foil                   |      | Therma Prozess Comfort              | BEN    | 12/97             |
|      | 76.3116     |             | Folie                  | pellicule                      | placca                       | foil                   |      | Therma Prozess Comfort HACCP        | BEN-E  | 09/98             |
|      | 76.3154     |             | Folie                  | pellicule                      | placca                       | foil                   |      | Electrolux Prozess Comfort<br>HACCP | BEN-E  | 09/00             |
|      | 76.3117     |             | Folie                  | pellicule                      | placca                       | foil                   |      | Therma Prozess Comfort HACCP        | BEN-S  | 09/98             |
|      | 76.3155     |             | Folie                  | pellicule                      | placca                       | foil                   |      | Electrolux Prozess Comfort<br>HACCP | BEN-S  | 09/00             |
|      | 76.3721     |             | Folie                  | pellicule                      | placca                       | foil                   |      | Electrolux Prozess Comfort<br>HACCP | BEN-S  | 46.week<br>2005   |
|      | 76.3077     |             | Folie<br>Handsteuerung | pellicule<br>commande manuelle | placca<br>regolazione a mano | foil<br>manual control |      | Therma                              | BEN    | 12/97             |
|      | 76.3156     |             | Folie<br>Handsteuerung | pellicule<br>commande manuelle | placca<br>regolazione a mano | foil<br>manual control |      | Electrolux                          | BEN    | 09/00             |
|      | 76.3050     |             | Folie                  | pellicule                      | placca                       | foil                   |      | Salvis Comfort                      | BEN    | 12/97             |
|      | 76.3051     |             | Folie                  | pellicule                      | placca                       | foil                   |      | Salvis Prozess Comfort              | BEN    | 12/97             |
|      | 76.3120     |             | Folie                  | pellicule                      | placca                       | foil                   |      | Salvis Prozess Comfort HACCP        | BEN-E  | 09/98             |
|      | 76.3214     |             | Folie                  | pellicule                      | placca                       | foil                   |      | Salvis instead of 76.3120           |        | 04/04             |
|      | 76.3098     |             | Folie                  | pellicule                      | placca                       | foil                   |      | Franke Comfort                      | BEN    | 12/97             |
|      | 76.3099     |             | Folie                  | pellicule                      | placca                       | foil                   |      | Franke Prozess Comfort              | BEN    | 12/97             |
|      | 76.3124     |             | Folie                  | pellicule                      | placca                       | foil                   |      | Franke Prozess Comfort HACCP        | BEN-E  | 09/98             |
|      | 76.3021     |             | Folie                  | pellicule                      | placca                       | foil                   |      | Therma Comfort                      | PEN    | 12/97             |
|      | 76.3023     |             | Folie                  | pellicule                      | placca                       | foil                   |      | Therma Prozess Comfort              | PEN    | 12/97             |
|      | 76.3119     |             | Folie                  | pellicule                      | placca                       | foil                   |      | Therma Prozess Comfort HACCP        | PEN-E  | 09/98             |
|      | 76.3158     |             | Folie                  | pellicule                      | placca                       | foil                   |      | Electrolux Prozess Comfort<br>HACCP | PEN-E  | 09.00             |
|      | 76.3082     |             | Folie                  | pellicule                      | placca                       | foil                   |      | Juno Comfort                        | JPEN   | 12/97             |
|      | 76.3083     |             | Folie                  | pellicule                      | placca                       | foil                   |      | Juno Prozess Comfort                | JPEN   | 12/97             |
|      | 76.3127     |             | Folie                  | pellicule                      | placca                       | foil                   |      | Juno Prozess Comfort HACCP          | JPEN-E | 09/98             |
|      | 76.3171     |             | Folie                  | pellicule                      | placca                       | foil                   |      | Junoline Prozess Comfort<br>HACCP   | JPEN-E | 09.00             |
| 25   | 76.9342     |             | Heizpatrone            | résistance de chauffe          | resistenza di riscaldamento  | heating resistor       |      |                                     | 1      | 05/98             |
| 26   | 76.9279     | 1900 6978   | Halter                 | fixation                       | sostegno                     | support                |      |                                     | 2      | 05/98             |
| 27   | 76.9336     |             | Haltewinkel            | support                        | supporto                     | attachement rail       |      |                                     | 1      | 05/98             |



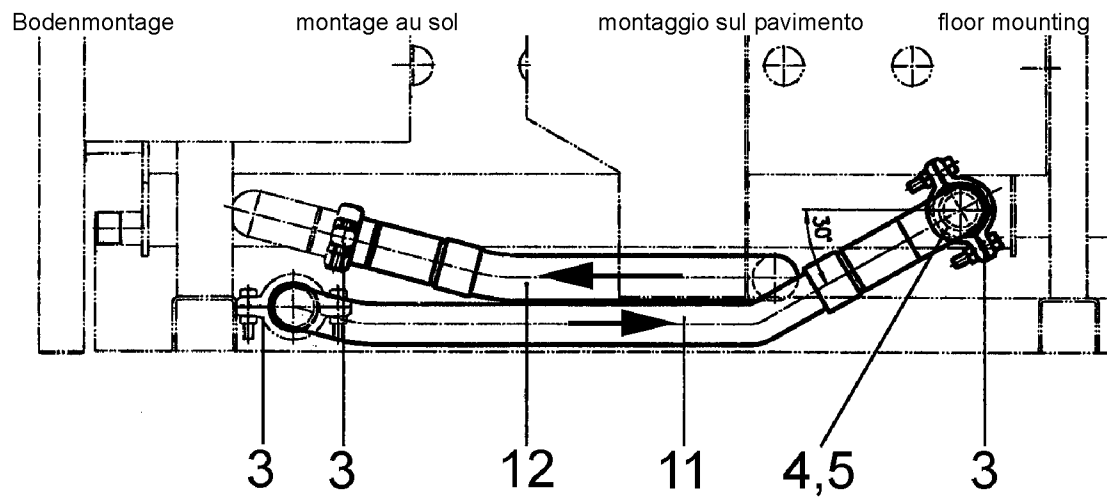
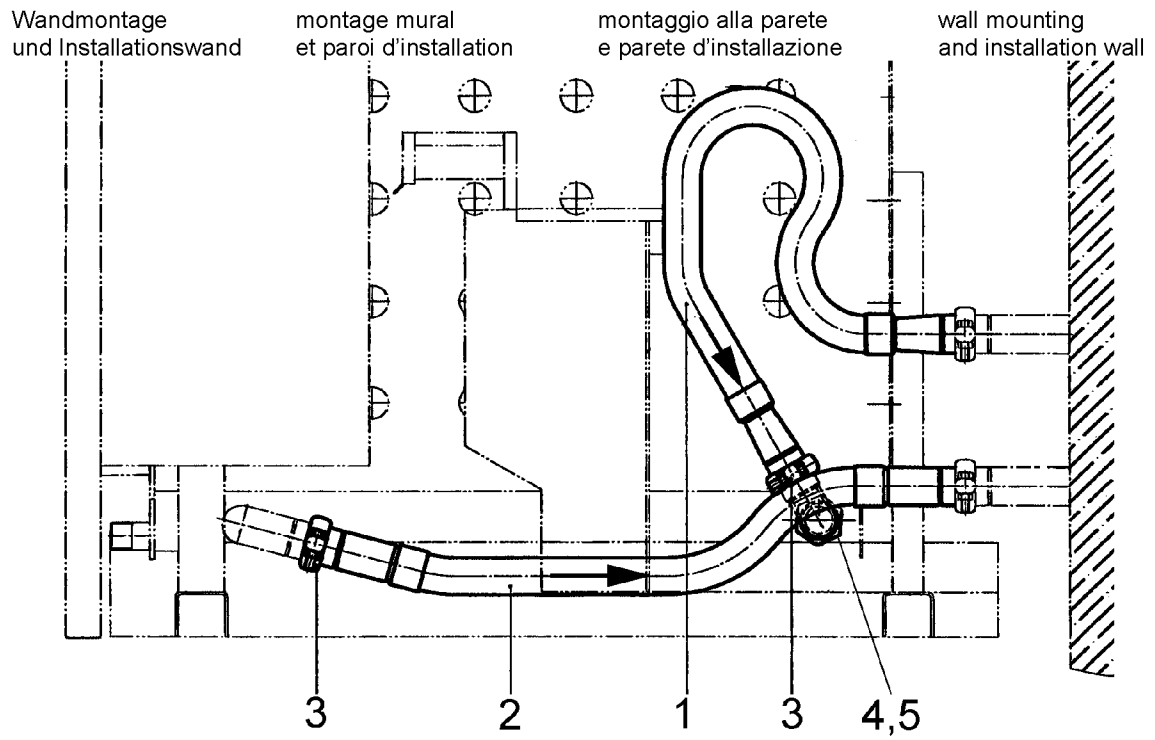
| Doc. No.      | Index | Issue | DE                   | FR                      | IT                 | GB                        | Seite/ Page/ Pagina/ Page |  |  |  |
|---------------|-------|-------|----------------------|-------------------------|--------------------|---------------------------|---------------------------|--|--|--|
| 76.9274.30    |       | 12/97 | Baugruppe            | Unité                   | Unità              | Unit                      | 1                         |  |  |  |
| BEN<br>(J)PEN |       |       | Klemmen +<br>Schütze | bornes +<br>contacteurs | morse + contattori | terminals +<br>contactors |                           |  |  |  |

| Pos. | Product No.    | Service No. | Bezeichnung     | Désignation      | Designazione    | Designation  | Type           | BEN, (J)PEN |        | Introduction |
|------|----------------|-------------|-----------------|------------------|-----------------|--------------|----------------|-------------|--------|--------------|
| 1    | 76.2046        |             | Halter          | fixation         | sostegno        | support      |                | E/S/H       | 1      | 12/97        |
| 2    | 1201 1945      |             | Halter          | fixation         | sostegno        | support      |                | E/S/H       | 6      | 12/97        |
| 3    | 712 044 120.04 | 1 101 8575  | Mutter          | écrou            | dado            | nut          | M4             | E/S/H       | 6      | 12/97        |
| 4    | 74.0216.02     |             | Kanal           | conduit          | canale          | channel      |                | E/S/H       | 1      | 12/97        |
| 5    | 1701 3535      |             | Unterlagscheibe | rondelle         | rondella        | washer       | M5             | E/S/H       | 2      | 12/97        |
| 6    | 10 3179        | 1101 8605   | Schraube        | vis              | vite            | screw        | M5x10          | E/S/H       | 2      | 12/97        |
| 10   | 75.2013        |             | Arretierstück   | piece d'arrête   | parte d'arresto | stopper part |                | E<br>S/H    | 1<br>3 | 12/97        |
| 11   | 75.2010.12     |             | Wand            | cloison          | parete          | wall         |                | E/S/H       | 4      | 12/97        |
| 12   | 75.2010.10     |             | Klemme          | borne            | morsa           | terminal     |                | E/S/H       | 11     | 12/97        |
| 13   | 75.2010.11     |             | Klemme          | borne            | morsa           | terminal     |                | E/S/H       | 5      | 12/97        |
| 14   | 75.2011.01     |             | Klemme          | borne            | morsa           | terminal     |                | E/S/H       | 5      | 12/97        |
| 15   | 75.2012.01     | 1802 5573   | Klemme          | borne            | morsa           | terminal     |                | E/S/H       | 2      | 12/97        |
| 16   | 75.2012.02     |             | Wand            | cloison          | parete          | wall         |                | E/S/H       | 2      | 12/97        |
| 17   | 75.2010.14     |             | Verbindung      | connexion        | congiungimento  | connection   |                | E/S/H       | 3      | 12/97        |
| 18   | 712 344 362.01 | 1802 5574   | Sicherung       | fusible          | fusibile        | fuse         | 5x20           | E/S/H       | 2      | 12/97        |
| 22   | 70.1371        | 1802 5441   | Trafo           | transformateur   | trasformatore   | transformer  |                | E/S/H       | 1      | 12/97        |
| 23   | 76.9167.01     | 1800 5215   | Schütz          | contacteur       | contattore      | contactor    | K2-12 A10 230V | E           | 4      | 12/97        |
| 23a  | 71.3312.01     |             | Relais          | relais           | relé            | relay        |                | S/H         | 2      | 12/97        |
| 23b  | 71.3312.03     |             | Sockel          | socle            | zoccolo         | plinth       |                | S/H         | 2      | 12/97        |
| 24   | 1115 1391      | 1101 9008   | Kabelbride      | bride pour câble | brida di cavo   | cable clamp  |                | E/S/H       | 5      | 12/97        |
| 26   | 76.9223        |             | Abdeckung       | couvercle        | copertura       | cover        |                | E/S/H       | 1      | 12/97        |
| 29   | 712 044 121.01 | 1900 1235   | Mutter          | écrou            | dado            | nut          | Ø4.8           | E/S/H       | 2      | 12/97        |
| 30   | 1701 7535      |             | Schraube        | vis              | vite            | screw        | Ø4.8x9.5       | E/S/H       | 2      | 12/97        |





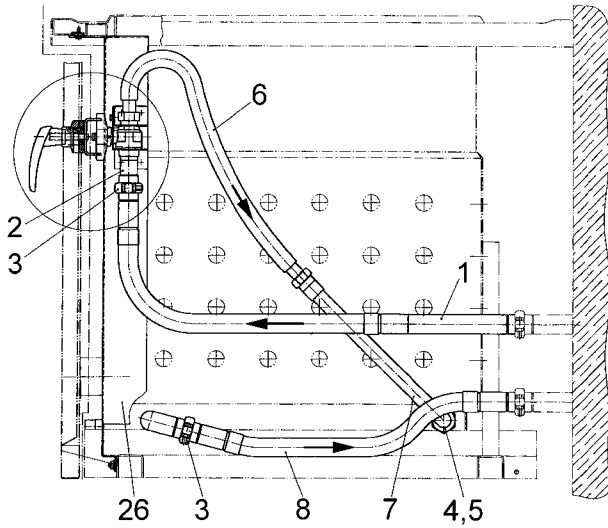
| Pos. | Produkt Nr. | Service Nr. | Bezeichnung                                           | désignation                 | designazione                                | designation      | Type      |            |
|------|-------------|-------------|-------------------------------------------------------|-----------------------------|---------------------------------------------|------------------|-----------|------------|
|      |             |             | Baugruppe                                             | unité                       | unità                                       | unit             |           | 76.9274.35 |
|      |             |             | THERMACAM                                             |                             |                                             |                  |           | 1          |
|      |             |             | HACCP Gefährdungsanalyse und kritische Kontrollpunkte |                             | Hazard Analysis and Critical Control Points |                  |           | 09.98      |
| 1    | 76.9301     |             | Interface                                             | interface                   | interface                                   | interface        |           | 1          |
|      |             |             | komplett                                              | complet                     | completo                                    | complete         |           |            |
| 2    | 76.9298     |             | Gehäuse                                               | boîtier                     | base                                        | housing          |           | 1          |
| 3    | 76.9299     |             | Platte                                                | plaque                      | piastra                                     | plate            |           | 1          |
| 4    | 76.9302     |             | Interface Print                                       | interface plaque de circuit | interface print                             | interface board  | COP 485.1 | 1          |
| 5    | 1701 1068   |             | Blechschrabe                                          | vis à tôle                  | vite metallica                              | sheet screw      |           | 4          |
| 6    | 76.9300     |             | Kabel                                                 | câble                       | cavo                                        | cable            |           | 1          |
| 7    | 1201 2012   |             | Gegenmutter                                           | contre-écrou                | contro dado                                 | counter nut      | PG16      | 3          |
| 8    | 1201 2013   |             | Kabelverschraubung                                    | vissage de câble            | collegamento cavo                           | cable gland      | PG16      | 2          |
| 9    | 1201 2014   |             | Kabelverschraubung                                    | vissage de câble            | collegamento cavo                           | cable gland      | PG16      | 1          |
| 11   | 72.5269     |             | Transformator Einheit                                 | unité d. transformateur     | unità d. trasformatore                      | transformer unit |           | 1          |
|      |             |             | komplett                                              | complet                     | completo                                    | complete         |           |            |
| 12   | 75.2008     |             | Gehäuse                                               | boîtier                     | base                                        | housing          |           | 1          |
| 13   | 71.7354     |             | Platte                                                | plaque                      | piastra                                     | plate            |           | 1          |
| 14   | 72.5209     |             | Transformator                                         | transformateur              | trasformatore                               | transformer      |           | 1          |
| 15   | 1701 7504   |             | Blechschrabe                                          | vis à tôle                  | vite metallica                              | sheet screw      |           | 4          |
| 16   | 1701 3502   |             | Scheibe                                               | rondelle                    | disco                                       | washer           |           | 4          |
| 17   | 1701 2019   |             | Schraube                                              | vis                         | vite                                        | screw            | M4x8      | 4          |
| 18   | 1117 1229   |             | Kabelverschraubung                                    | vissage de câble            | collegamento cavo                           | cable gland      | PG13.5    | 2          |
| 19   | 1103 1628   |             | Gegenmutter                                           | contre-écrou                | contro dado                                 | counter nut      | PG13.5    | 2          |



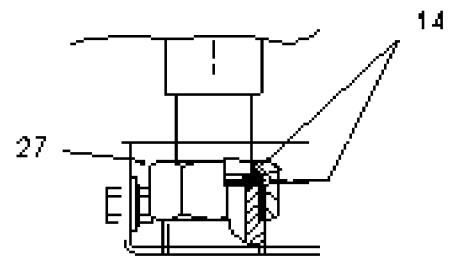
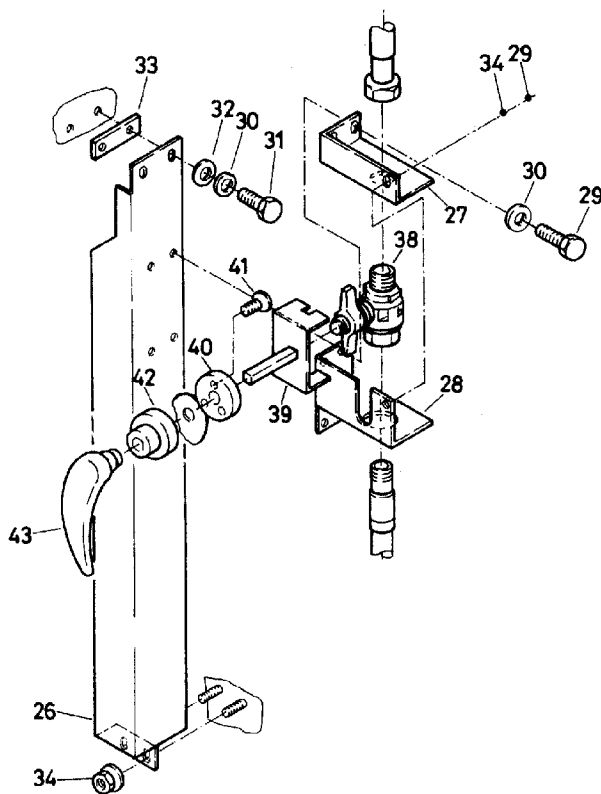
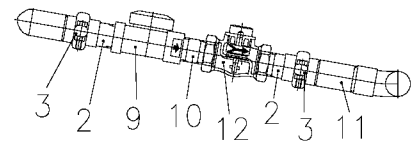
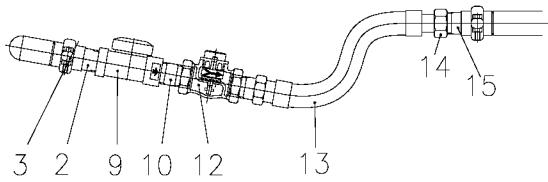
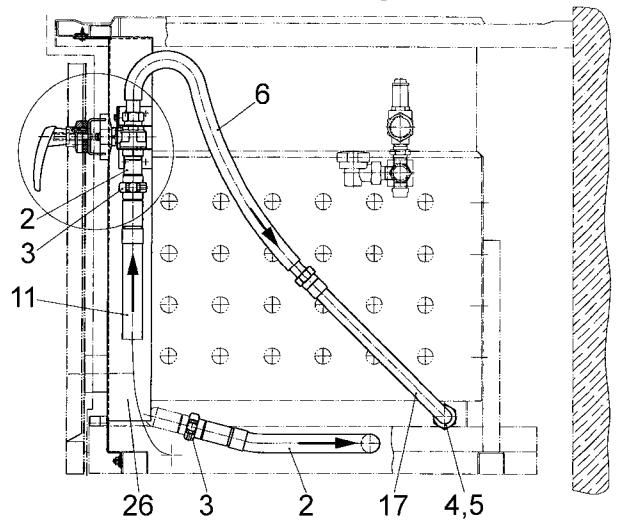
| Pos. | Produkt Nr. | Service Nr. | Bezeichnung            | désignation           | designazione                   | designation           | 80   | Modell BEN/PEN |     |            | Introd. |
|------|-------------|-------------|------------------------|-----------------------|--------------------------------|-----------------------|------|----------------|-----|------------|---------|
|      |             |             |                        |                       |                                |                       |      | 150/200        | 300 | 400        |         |
|      |             |             | Baugruppe              | unité                 | unità                          | unit                  |      |                |     | 76.9274.40 |         |
|      |             |             | Dampfleitung           | conduite de vapeur    | conduttura di vapore           | steam pipe            |      |                |     | 1          |         |
|      |             |             | Kondensatleitung       | conduite de condensat | conduttura di condensa         | condens pipe          |      |                |     | 12/97      |         |
|      |             |             | <b>Wandmontage</b>     | <b>montage mural</b>  | <b>montaggio alla parete</b>   | <b>wall mounting</b>  |      |                |     |            |         |
| 1    | 76.2117.02  |             | Leitung                | conduite              | conduttura                     | conduit               | 1    | 1              | 1   | 1          |         |
|      | 76.2117.03  |             | Leitung                | conduite              | conduttura                     | conduit               | IN 1 | 1              | 1   | 1          |         |
| 2    | 76.2117.01  |             | Leitung                | conduite              | conduttura                     | conduit               | 1    | 1              | 1   | 1          |         |
|      | 76.2117.02  |             | Leitung                | conduite              | conduttura                     | conduit               | IN 1 | 1              | 1   | 1          |         |
| 3    | 76.2030     |             | Klemme                 | serrage               | serrante                       | clamp                 | 2    | 2              | 2   | 2          |         |
| 4    | 1117 1030   |             | Ring                   | anneau                | anello                         | ring                  | 1    | 1              | 1   | 1          |         |
| 5    | 1117 1031   |             | Überwurfmutter         | écrou-raccord         | dado a risvolto                | union nut             | 1    | 1              | 1   | 1          |         |
|      |             |             | IN = Installationswand | paroi d'installation  | parete d'installazione         | installation wall     |      |                |     |            |         |
|      |             |             | <b>Bodenmontage</b>    | <b>montage au sol</b> | <b>montaggio sul pavimento</b> | <b>floor mounting</b> |      |                |     |            |         |
| 11   | 76.2129     |             | Leitung                | conduite              | conduttura                     | conduit               | 1    | 1              | 1   | 1          |         |
| 12   | 76.2117.01  |             | Leitung                | conduite              | conduttura                     | conduit               | 1    | 1              | 1   | 1          |         |
| 3    | 76.2030     |             | Klemme                 | serrage               | serrante                       | clamp                 | 2    | 2              | 2   | 2          |         |
| 4    | 1117 1030   |             | Ring                   | anneau                | anello                         | ring                  | 1    | 1              | 1   | 1          |         |
| 5    | 1117 1031   |             | Überwurfmutter         | écrou-raccord         | dado a risvolto                | union nut             | 1    | 1              | 1   | 1          |         |

Wandmontage  
 montage mural  
 montaggio alla parete  
 wall mounting

und Installationswand  
 et paroi d'installation  
 e parete d'installazione  
 and installation wall



Bodenmontage  
 montage au sol  
 montaggio sul pavimento  
 floor mounting

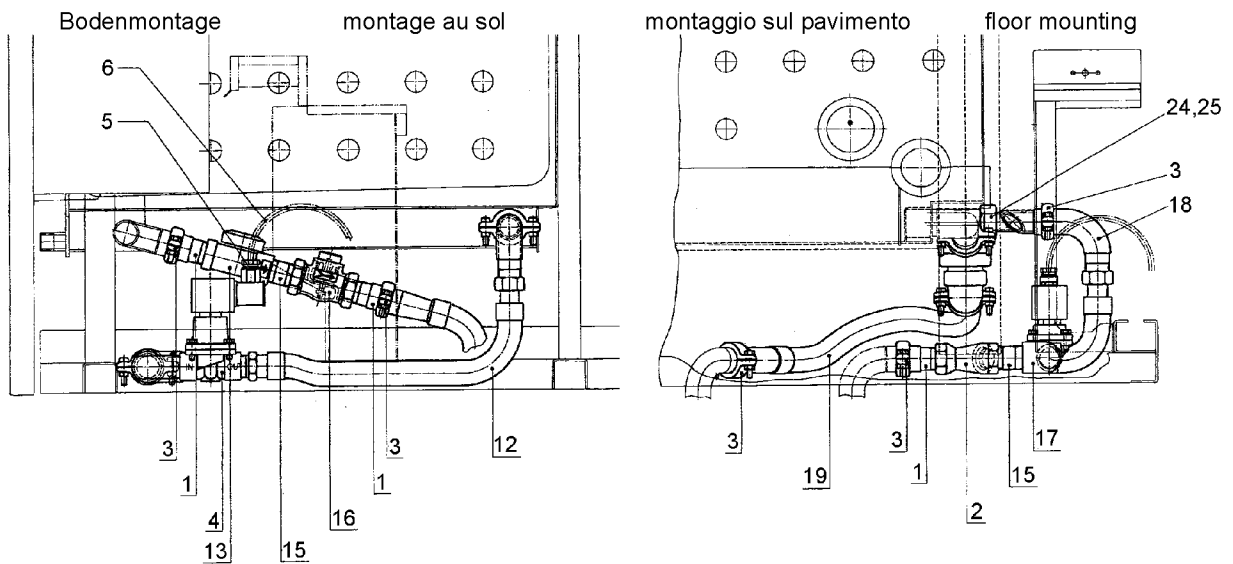
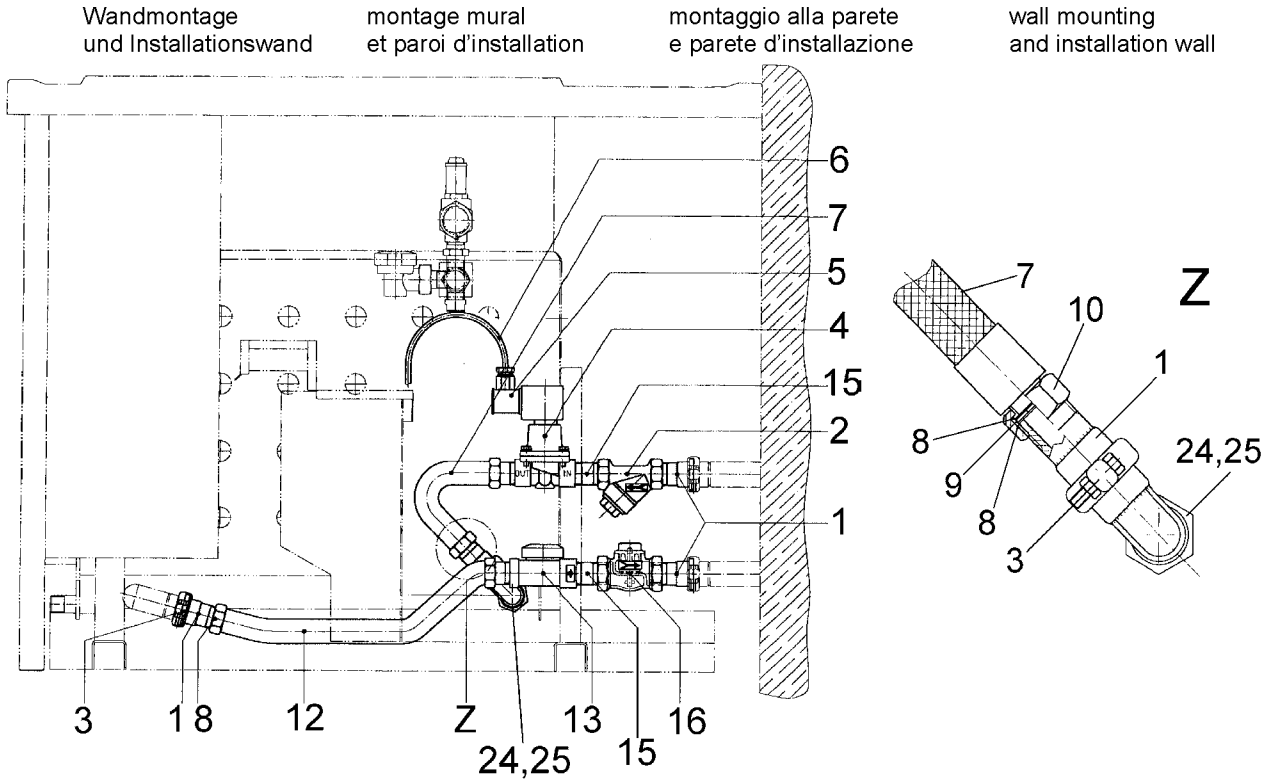


|                  |                       |                        |                |            |
|------------------|-----------------------|------------------------|----------------|------------|
| Baugruppe        | unité                 | unità                  | unit           | 76.9274.41 |
| Handsteuerung    | commande manuelle     | regolazione a mano     | manual control |            |
| Dampfleitung     | conduite de vapeur    | conduttura di vapore   | steam pipe     | 1          |
| Kondensatleitung | conduite de condensat | conduttura di condensa | condens pipe   | 12/97      |

| Pos. | Produkt Nr. | Service Nr. | Bezeichnung         | désignation             | designazione                   | designation              | Modell BEN/PEN    |         |     |     | Introd. |
|------|-------------|-------------|---------------------|-------------------------|--------------------------------|--------------------------|-------------------|---------|-----|-----|---------|
|      |             |             |                     |                         |                                |                          | 80                | 150/200 | 300 | 400 |         |
|      |             |             | <b>Wandmontage</b>  | <b>montage mural</b>    | <b>montaggio alla parete</b>   | <b>wall mounting</b>     |                   |         |     |     |         |
| 1    | 76.2096.01  |             | Leitung             | conduite                | conduttura                     | conduit                  | 1                 | 1       | 1   | 1   |         |
|      | 76.2096.02  |             | Leitung             | conduite                | conduttura                     | conduit IN               | 1                 | 1       | 1   | 1   |         |
| 2    | 76.2098     |             | Zwischenstück       | pièce intermédiaire     | membro intermedio              | partition tube           | 2                 | 2       | 2   | 2   |         |
| 3    | 76.2030     |             | Klemme              | serrage                 | serrante                       | clamp                    | 2                 | 2       | 2   | 2   |         |
| 4    | 1117 1030   |             | Ring                | anneau                  | anello                         | ring                     | 1                 | 1       | 1   | 1   |         |
| 5    | 1117 1031   |             | Überwurfmutter      | écrou-raccord           | dado a risvolto                | union nut                | 1                 | 1       | 1   | 1   |         |
| 6    | 70.0411.02  |             | Leitung             | conduite                | conduttura                     | conduit                  | 1                 | 1       | 1   | 1   |         |
| 7    | 76.2709.XX  |             | Leitung             | conduite                | conduttura                     | conduit                  | .01               | .02     | .03 | .04 |         |
| 8    | 76.2096.01  |             | Leitung             | conduite                | conduttura                     | conduit                  | 1                 | 1       | 1   | 1   |         |
|      | 76.2117.02  |             | Leitung             | conduite                | conduttura                     | conduit IN               | 1                 | 1       | 1   | 1   |         |
| 9    | 1 201 2016  |             | Kondensatableiter   | séparateur de condensat | divisore di condensa           | steam trap               | 1                 | 1       | 1   | 1   | 06/03   |
| 10   | 76.4571.01  |             | Doppelnippel        | mamelon double          | raccordo doppio                | double nipple            | 1                 | 1       | 1   | 1   | 06/03   |
| 12   | 1 201 2035  |             | Rückschlagventil    | soupape anti-retour     | valvola antiritorno            | check valve              | 1                 | 1       | 1   | 1   | 06/03   |
| 13   | 76.3183.01  |             | Metallschlauch      | tuyau métallique        | tubo di metallo                | metal hose               | 1                 | 1       | 1   | 1   | 06/03   |
| 14   | 1 101 2086  |             | Dichtung            | joint                   | guarnizione                    | sealing                  | 3                 | 3       | 3   | 3   | 06/03   |
| 15   | 76.4558.02  |             | Anschluss           | raccordement            | raccordo                       | connection               | 1                 | 1       | 1   | 1   | 06/03   |
|      |             |             | IN =                | Installationswand       | paroi d'installation           | parete d'installazione   | installation wall |         |     |     |         |
|      |             |             | <b>Bodenmontage</b> | <b>montage au sol</b>   | <b>montaggio sul pavimento</b> | <b>floor mounting</b>    |                   |         |     |     |         |
| 2    | 76.2098     |             | Zwischenstück       | pièce intermédiaire     | membro intermedio              | partition tube           | 3                 | 3       | 3   | 3   |         |
| 3    | 76.2030     |             | Klemme              | serrage                 | serrante                       | clamp                    | 3                 | 3       | 3   | 3   |         |
| 4    | 1117 1030   |             | Ring                | anneau                  | anello                         | ring                     | 1                 | 1       | 1   | 1   |         |
| 5    | 1117 1031   |             | Überwurfmutter      | écrou-raccord           | dado a risvolto                | union nut                | 1                 | 1       | 1   | 1   |         |
| 6    | 70.0411.02  |             | Leitung             | conduite                | conduttura                     | conduit                  | 1                 | 1       | 1   | 1   |         |
| 9    | 1 201 2016  |             | Kondensatableiter   | séparateur de condensat | divisore di condensa           | steam trap               | 1                 | 1       | 1   | 1   | 06/03   |
| 10   | 76.4571.01  |             | Doppelnippel        | mamelon double          | raccordo doppio                | double nipple            | 1                 | 1       | 1   | 1   | 06/03   |
| 11   | 76.2117.01  |             | Leitung             | conduite                | conduttura                     | conduit H=700            | 2                 | 2       | 2   | 2   |         |
|      |             |             |                     |                         |                                | conduit H=800            | 1                 | 1       | 1   | 1   |         |
|      |             |             |                     |                         |                                | conduit H=800            | 1                 | 1       | 1   | 1   |         |
| 12   | 1 201 2035  |             | Rückschlagventil    | soupape anti-retour     | valvola antiritorno            | check valve              | 1                 | 1       | 1   | 1   | 06/03   |
| 14   | 1 101 2086  |             | Dichtung            | joint                   | guarnizione                    | sealing                  | 3                 | 3       | 3   | 3   | 06/03   |
| 17   | 76.2709.XX  |             | Leitung             | conduite                | conduttura                     | conduit                  | .01               | .02     | .03 | .04 |         |
|      |             |             | H                   | Gerätehöhe              | hauteur d'appareil             | altezza dell'apparecchio | appliance hight   |         |     |     |         |

|                  |                       |                        |                |            |
|------------------|-----------------------|------------------------|----------------|------------|
| Baugruppe        | unité                 | unità                  | unit           | 76.9274.41 |
| Handsteuerung    | commande manuelle     | regolazione a mano     | manual control |            |
| Dampfleitung     | conduite de vapeur    | conduttura di vapore   | steam pipe     | 2          |
| Kondensatleitung | conduite de condensat | conduttura di condensa | condens pipe   | 12/97      |

| Pos. | Product No.    | Service No. | Bezeichnung  | Désignation       | Designazione    | Designation  | Type  | Introduc-<br>-tion |       |
|------|----------------|-------------|--------------|-------------------|-----------------|--------------|-------|--------------------|-------|
| 26   | 76.2083.01     |             | Strebe       | jambe de force    | puntello        | strut        | H=700 | 1                  | 12/97 |
|      | 76.2083.02     |             | Strebe       | jambe de force    | puntello        | strut        | H=800 | 1                  | 12/97 |
| 27   | 76.2084        |             | Halter       | fixation          | sostegno        | support      |       | 1                  | 12/97 |
| 28   | 76.2085        |             | Halter       | fixation          | sostegno        | support      |       | 1                  | 12/97 |
| 29   | 1701 2509      |             | Schraube     | vis               | vite            | screw        | M5x12 | 5                  | 12/97 |
| 30   | 1701 5004      |             | Federring    | anneau de ressort | anello di molla | spring ring  | M5    | 6                  | 12/97 |
| 31   | 1701 2567      |             | Schraube     | vis               | vite            | screw        | M5x20 | 2                  | 12/97 |
| 32   | 1701 3535      |             | Scheibe      | disque            | disco           | disk         | M5    | 2                  | 12/97 |
| 33   | 76.2095        |             | Blech        | tôle              | lamiera         | sheet        |       | 4                  | 12/97 |
| 34   | 712 044 120.05 | 1101 8576   | Mutter       | écrou             | dado            | nut          | M5    | 3                  | 12/97 |
| 38   | 76.3079        |             | Ventil       | soupape, vanne    | valvola         | valve        | ¾"    | 1                  | 12/97 |
| 39   | 76.2060        |             | Verlängerung | prolongation      | allungamento    | prolongation |       | 1                  | 12/97 |
| 40   | 76.2070        |             | Ring         | anneau            | anello          | ring         |       | 1                  | 12/97 |
| 41   | 1701 1028      |             | Schraube     | vis               | vite            | screw        | M4x12 | 3                  | 12/97 |
| 42   | 76.2059        |             | Rosette      | rosace            | rosetta         | rose         |       | 1                  | 12/97 |
| 43   | 71.0268        | 1900 6126   | Hebel        | levier            | leva            | lever        |       | 1                  | 12/97 |



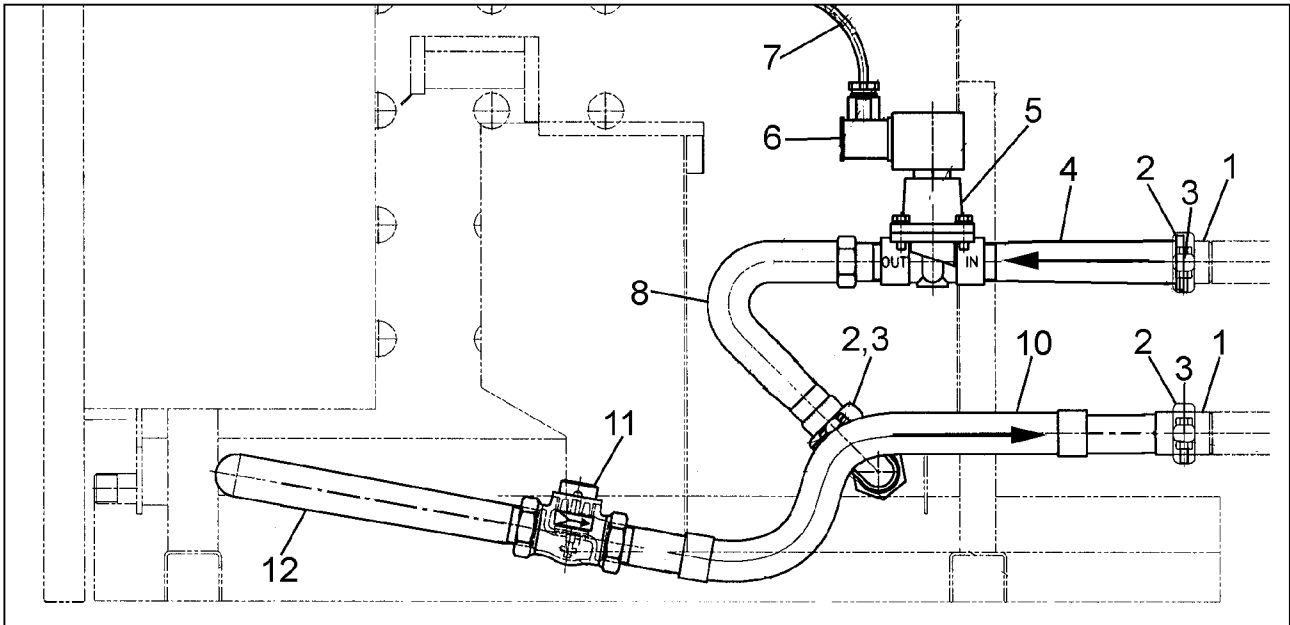
|                     |                  |                       |                        |              |            |
|---------------------|------------------|-----------------------|------------------------|--------------|------------|
| <b>VERSION 2002</b> | Baugruppe        | unité                 | unità                  | unit         | 76.9274.42 |
|                     | Dampfleitung     | conduite de vapeur    | conduttura di vapore   | steam pipe   | 1          |
|                     | Kondensatleitung | conduite de condensat | conduttura di condensa | condens pipe | 03/02      |

| Pos. | Produkt Nr. | Service Nr. | Bezeichnung         | désignation                | designazione                   | designation           | Modell BEN/PEN |     |     |     |     | Introd. |
|------|-------------|-------------|---------------------|----------------------------|--------------------------------|-----------------------|----------------|-----|-----|-----|-----|---------|
|      |             |             |                     |                            |                                |                       | 80             | 150 | 200 | 300 | 400 |         |
|      |             |             | <b>Wandmontage</b>  | <b>montage mural</b>       | <b>montaggio alla parete</b>   | <b>wall mounting</b>  |                |     |     |     |     |         |
| 1    | 76.4558.02  |             | Anschlussstück      | pièce de raccordement      | pezzo di raccordo              | connection part       | 3              | 3   | 3   | 3   | 3   |         |
| 2    | 1201 2036   |             | Schmutzfangsieb     | tamis collecteur de saleté | staccio contro la sporcizia    | dirt strainer         | 1              | 1   | 1   | 1   | 1   |         |
| 3    | 76.2030     |             | Klemme              | serrage                    | serrante                       | clamp                 | 2              | 2   | 2   | 2   | 2   |         |
| 4    | 76.3097     |             | Magnetventil        | vanne magnétique           | elettrovalvola                 | solenoid valve        | 1              | 1   | 1   | 1   | 1   |         |
| 5    | 76.4935     |             | Stecker             | fiche                      | spina                          | plug                  | 1              | 1   | 1   | 1   | 1   |         |
| 6    | 76.9064.04  |             | Kabel               | câble                      | cavo                           | cable                 | 1              | 1   | 1   | 1   | 1   |         |
| 7    | 76.3183.03  |             | Leitung             | conduite                   | conduttura                     | conduit               | 1              | 1   | 1   | 1   | 1   |         |
| 8    | 1101 2086   |             | Dichtungsring       | joint d'étanchéité         | anello di guarnizione          | washer                | 3              | 3   | 3   | 3   | 3   |         |
| 9    | 76.4552.XX  |             | Drosselblende       | tuyère                     | ugello                         | orifice               | .03            | .05 | .06 | .07 | .08 |         |
| 10   | 1201 1813   |             | Loctite 577         |                            |                                |                       |                |     |     |     |     |         |
| 12   | 76.3183.01  |             | Leitung             | conduite                   | conduttura                     | conduit               | 1              | 1   | 1   | 1   | 1   |         |
| 13   | 1201 2016   |             | Kondensatabscheider | séparateur de condensat    | divisore di condensa           | steam trap            | 1              | 1   | 1   | 1   | 1   |         |
| 15   | 76.4571.01  |             | Anschlussstück      | pièce de raccordement      | pezzo di raccordo              | connection part       | 2              | 2   | 2   | 2   | 2   |         |
|      | 76.4571.02  |             | Anschlussstück      | pièce de raccordement      | pezzo di raccordo              | connection part       | IN             | 2   | 2   | 2   | 2   |         |
| 16   | 1201 2035   |             | Rückschlagventil    | soupape anti-retour        | valvola antiritorno            | check valve           | 1              | 1   | 1   | 1   | 1   |         |
| 24   | 1117 1030   |             | Ring                | anneau                     | anello                         | ring                  | 1              | 1   | 1   | 1   | 1   |         |
| 25   | 1117 1031   |             | Überwurfmutter      | écrou-raccord              | dado a risvolto                | union nut             | 1              | 1   | 1   | 1   | 1   |         |
|      |             | IN =        | Installationswand   | paroi d'installation       | parete d'installazione         | installation wall     |                |     |     |     |     |         |
|      |             |             | <b>Bodenmontage</b> | <b>montage au sol</b>      | <b>montaggio sul pavimento</b> | <b>floor mounting</b> |                |     |     |     |     |         |
| 1    | 76.4558.02  |             | Anschlussstück      | pièce de raccordement      | pezzo di raccordo              | connection part       | 3              | 3   | 3   | 3   | 3   |         |
| 2    | 1201 2036   |             | Schmutzfangsieb     | tamis collecteur de saleté | staccio contro la sporcizia    | dirt strainer         | 1              | 1   | 1   | 1   | 1   |         |
| 3    | 76.2030     |             | Klemme              | serrage                    | serrante                       | clamp                 | 5              | 5   | 5   | 5   | 5   |         |
| 4    | 76.3097     |             | Magnetventil        | vanne magnétique           | elettrovalvola                 | solenoid valve        | 1              | 1   | 1   | 1   | 1   |         |
| 5    | 76.4935     |             | Stecker             | fiche                      | spina                          | plug                  | 1              | 1   | 1   | 1   | 1   |         |
| 6    | 76.9064.04  |             | Kabel               | câble                      | cavo                           | cable                 | 1              | 1   | 1   | 1   | 1   |         |
| 10   | 1201 1813   |             | Loctite 577         |                            |                                |                       |                |     |     |     |     |         |
| 12   | 76.3183.01  |             | Leitung             | conduite                   | conduttura                     | conduit               | 1              | 1   | 1   | 1   | 1   |         |
| 13   | 1201 2016   |             | Kondensatabscheider | séparateur de condensat    | divisore di condensa           | steam trap            | 1              | 1   | 1   | 1   | 1   |         |
| 15   | 76.4571.01  |             | Anschlussstück      | pièce de raccordement      | pezzo di raccordo              | connection part       | 2              | 2   | 2   | 2   | 2   |         |
| 16   | 1201 2035   |             | Rückschlagventil    | soupape anti-retour        | valvola antiritorno            | check valve           | 1              | 1   | 1   | 1   | 1   |         |
| 17   | 1201 2009   |             | Bogen               | arc                        | arco                           | bow                   | 1              | 1   | 1   | 1   | 1   |         |
| 18   | 76.4558.01  |             | Anschlussstück      | pièce de raccordement      | pezzo di raccordo              | connection part       | 1              | 1   | 1   | 1   | 1   |         |
| 19   | 76.2117.01  |             | Leitung             | conduite                   | conduttura                     | conduit               | 1              | 1   | 1   | 1   | 1   |         |
| 24   | 1117 1030   |             | Ring                | anneau                     | anello                         | ring                  | 1              | 1   | 1   | 1   | 1   |         |
| 25   | 1117 1031   |             | Überwurfmutter      | écrou-raccord              | dado a risvolto                | union nut             | 1              | 1   | 1   | 1   | 1   |         |

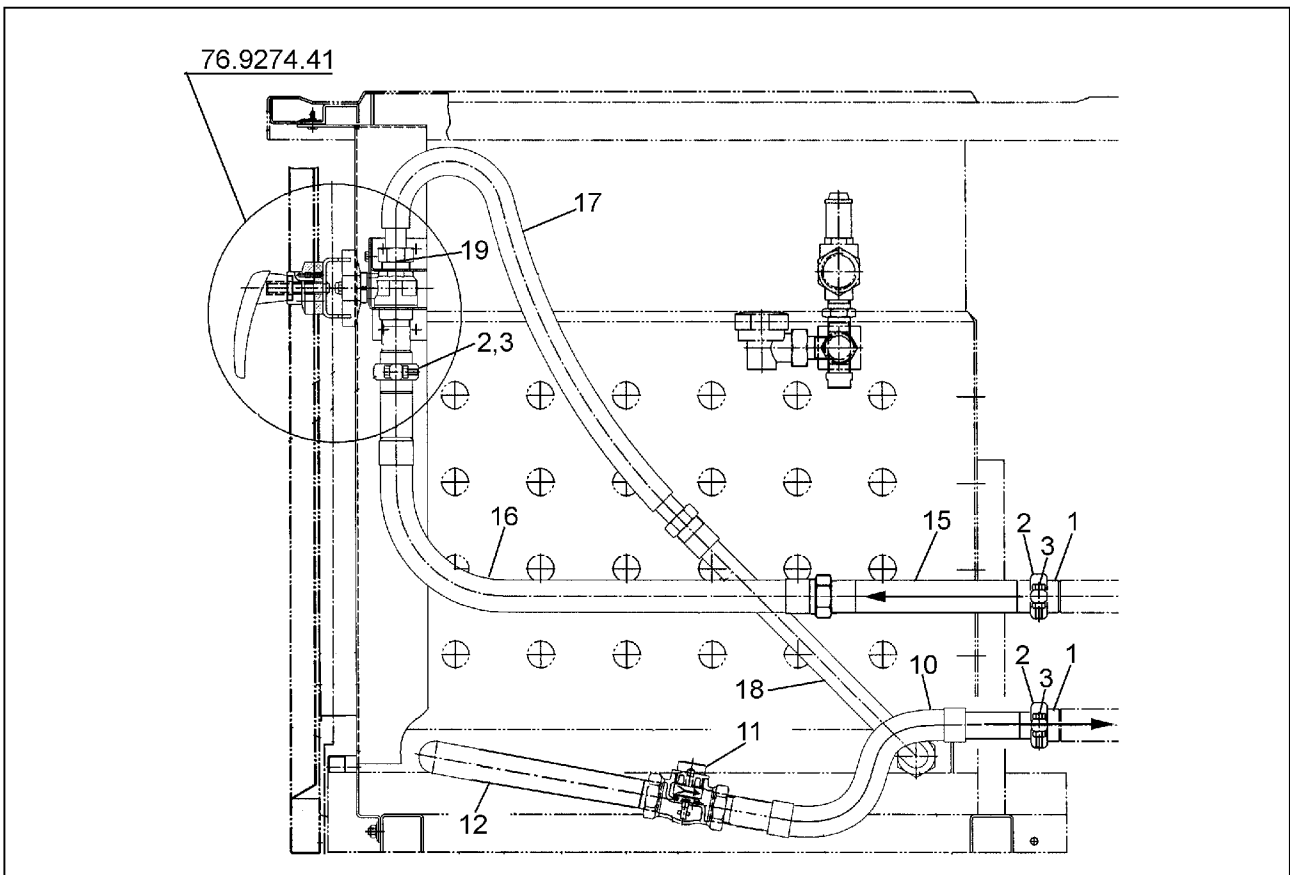


Heisswasserleitung    conduite d'eau chaude    conduttura acqua calda    hot water pipe  
 "AUDI"

Elektronische Steuerung    commande électronique    comando elettronico    electronic control  
 Montage Installationswand    montage paroi d'installation    montaggio parete d'installazione    installation wall



Hand Steuerung    commande manuelle    comando a mano    manual control  
 Montage Installationswand    montage paroi d'installation    montaggio parete d'installazione    installation wall



|             |                                 |                                |                                 |                        |                          |
|-------------|---------------------------------|--------------------------------|---------------------------------|------------------------|--------------------------|
| <b>AUDI</b> | Baugruppe<br>Heisswasserleitung | unité<br>conduite d'eau chaude | unità<br>conduttura acqua calda | unit<br>hot water pipe | 76.9274.47<br>1<br>06/04 |
|-------------|---------------------------------|--------------------------------|---------------------------------|------------------------|--------------------------|

| Pos.                                                                                        | Produkt Nr. | Service Nr. | Bezeichnung       | désignation         | designazione        | designation    | Modell BEN/PEN |     |     |     |     | Introd. |
|---------------------------------------------------------------------------------------------|-------------|-------------|-------------------|---------------------|---------------------|----------------|----------------|-----|-----|-----|-----|---------|
|                                                                                             |             |             |                   |                     |                     |                | 80             | 150 | 200 | 300 | 400 |         |
| <b>Elektronische Steuerung commande électronique comando elettronico electronic control</b> |             |             |                   |                     |                     |                |                |     |     |     |     |         |
| 1                                                                                           | 76.5689     |             | Stutzen           | manchon             | carabina            | flange         | 3              | 3   | 3   | 3   | 3   |         |
| 2                                                                                           | 76.2030     |             | Klemmbügel        | étrier de serrage   | archetto serrante   | clamp strap    | 3              | 3   | 3   | 3   | 3   |         |
| 3                                                                                           | 1101 2177   |             | Dichtung          | joint               | guarnizione         | sealing        | 3              | 3   | 3   | 3   | 3   |         |
| 4                                                                                           | 76.5690.01  |             | Schlauch          | tuyau flexible      | tubo flessibile     | hose           | 1              | 1   | 1   | 1   | 1   |         |
| 5                                                                                           | 76.3217     |             | Magnetventil NW25 | vanne magnétique    | elettrovalvola      | solenoid valve | 1              | 1   | 1   | 1   | 1   |         |
| 6                                                                                           | 76.4935     |             | Stecker           | fiche               | spina               | plug           | 1              | 1   | 1   | 1   | 1   |         |
| 7                                                                                           | 76.9064.04  |             | Kabel             | câble               | cavo                | cable          | 1              | 1   | 1   | 1   | 1   |         |
| 8                                                                                           | 76.5690.02  |             | Schlauch          | tuyau flexible      | tubo flessibile     | hose           | 1              | 1   | 1   | 1   | 1   |         |
| 10                                                                                          | 76.5690.04  |             | Schlauch          | tuyau flexible      | tubo flessibile     | hose           | 1              | 1   | 1   | 1   | 1   |         |
| 11                                                                                          | 76.3218     |             | Rückschlagventil  | soupape anti-retour | valvola antiritorno | check valve    | 1              | 1   | 1   | 1   | 1   |         |
| 12                                                                                          | 76.2325.01  |             | Rohrleitung       | tuyauterie          | tubo conduttore     | pipe           |                |     | 1   |     |     |         |
|                                                                                             | 76.2325.02  |             | Rohrleitung       | tuyauterie          | tubo conduttore     | pipe           |                |     |     | 1   |     |         |
|                                                                                             | 76.2325.03  |             | Rohrleitung       | tuyauterie          | tubo conduttore     | pipe           |                |     |     |     | 1   |         |
|                                                                                             | 1201 1813   |             | Loctite 577       |                     |                     |                | x              | x   | x   | x   | x   |         |
| <b>Handsteuerung commande manuelle regolazione a mano manual control</b>                    |             |             |                   |                     |                     |                |                |     |     |     |     |         |
| 1                                                                                           | 76.5689     |             | Stutzen           | manchon             | carabina            | flange         | 3              | 3   | 3   | 3   | 3   |         |
| 2                                                                                           | 76.2030     |             | Klemmbügel        | étrier de serrage   | archetto serrante   | clamp strap    | 3              | 3   | 3   | 3   | 3   |         |
| 3                                                                                           | 1101 2177   |             | Dichtung          | joint               | guarnizione         | sealing        | 3              | 3   | 3   | 3   | 3   |         |
| 15                                                                                          | 76.2326.01  |             | Rohrleitung       | tuyauterie          | tubo conduttore     | pipe           | 1              | 1   | 1   | 1   | 1   |         |
| 16                                                                                          | 76.5690.04  |             | Schlauch          | tuyau flexible      | tubo flessibile     | hose           | 1              | 1   | 1   | 1   | 1   |         |
| 17                                                                                          | 76.3183.07  |             | Schlauch          | tuyau flexible      | tubo flessibile     | hose           | 1              | 1   | 1   | 1   | 1   |         |
| 18                                                                                          | 76.2326.02  |             | Rohrleitung       | tuyauterie          | tubo conduttore     | pipe           | 1              | 1   | 1   | 1   | 1   |         |
| 19                                                                                          | 1101 2035   |             | Dichtung          | joint               | guarnizione         | sealing        | 1              | 1   | 1   | 1   | 1   |         |
| 10                                                                                          | 76.5690.04  |             | Schlauch          | tuyau flexible      | tubo flessibile     | hose           | 1              | 1   | 1   | 1   | 1   |         |
| 11                                                                                          | 76.3218     |             | Rückschlagventil  | soupape anti-retour | valvola antiritorno | check valve    | 1              | 1   | 1   | 1   | 1   |         |
| 12                                                                                          | 76.2325.01  |             | Rohrleitung       | tuyauterie          | tubo conduttore     | pipe           |                |     | 1   |     |     |         |
|                                                                                             | 76.2325.02  |             | Rohrleitung       | tuyauterie          | tubo conduttore     | pipe           |                |     |     | 1   |     |         |
|                                                                                             | 76.2325.03  |             | Rohrleitung       | tuyauterie          | tubo conduttore     | pipe           |                |     |     |     | 1   |         |
|                                                                                             | 1201 1813   |             | Loctite 577       |                     |                     |                | x              | x   | x   | x   | x   |         |

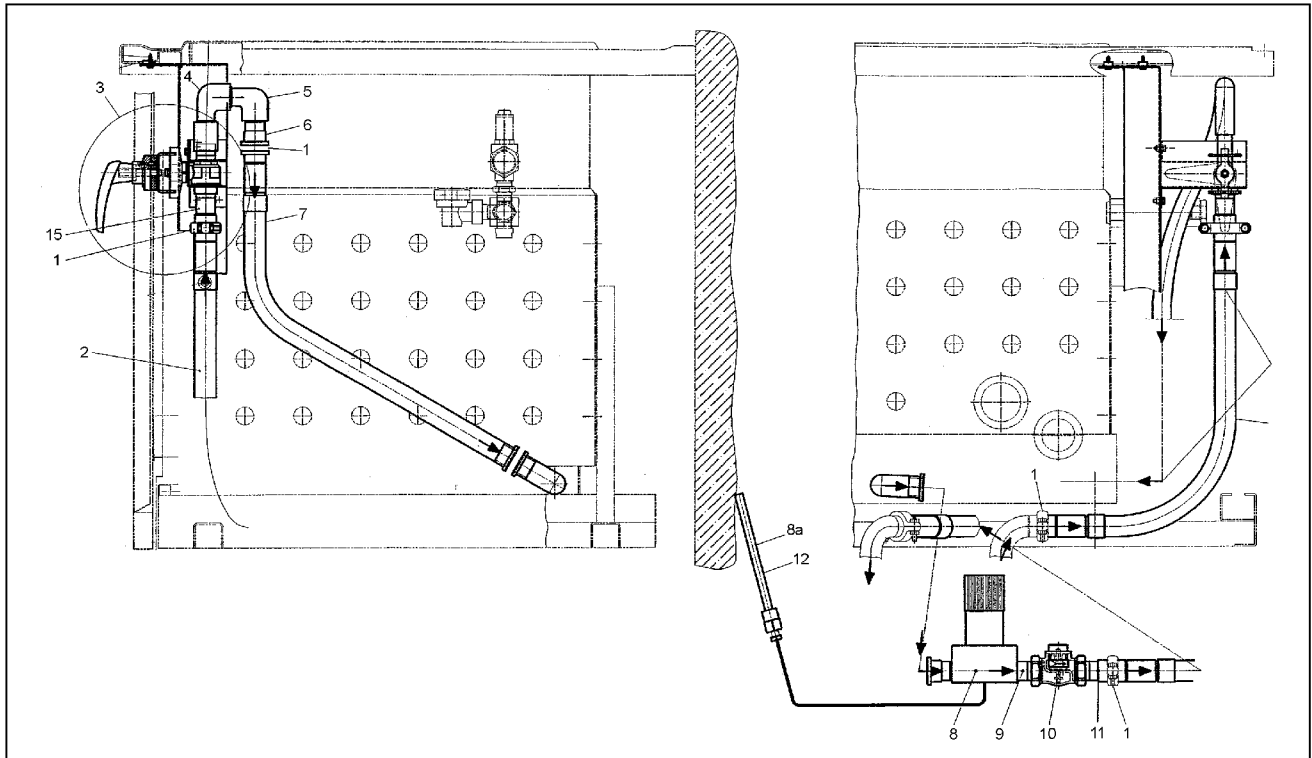
Heisswasserleitung    conduite d'eau chaude    condotta acqua calda    hot water pipe  
**BEN-H**

**Hand Steuerung**  
 Montage Installationswand

**commande manuelle**  
 montage paroi d'installation

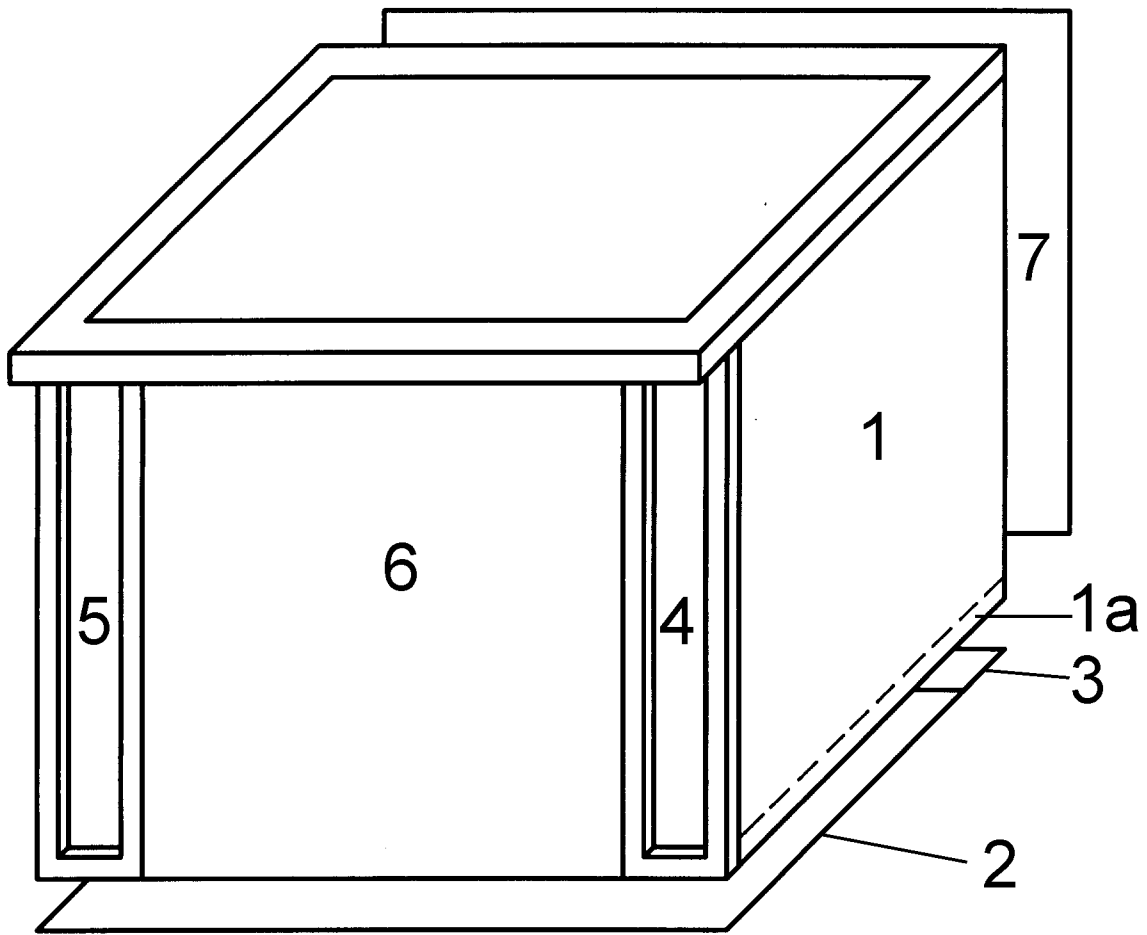
**comando a mano**  
 montaggio parete d'installazione

**manual control**  
 installation wall



| Doc. No.   | Index | Issue | DE                                     | FR                                         | IT                                            | GB                                     | Seite/ Page/ Pagina/ Page |  |  |  |  |
|------------|-------|-------|----------------------------------------|--------------------------------------------|-----------------------------------------------|----------------------------------------|---------------------------|--|--|--|--|
| 76.9274.48 |       | 11/05 | Baugruppe                              | Unité                                      | Unità                                         | Unit                                   | 1                         |  |  |  |  |
| BEN-H      |       |       | Heisswasserleitung<br>Vorlauf/Rücklauf | Conduites d'eau<br>chaude<br>entrée/reflux | Condutture acqua<br>calda<br>entrata/riflusso | Hotwater pipes<br>entrance/return flow |                           |  |  |  |  |

| Pos. | Product No. | Service No. | Bezeichnung                                     | Désignation                                     | Designazione                                        | Designation                                        | Type   | 80 | 150 | 200 | 300 | 400 |  |  | Introduc. |
|------|-------------|-------------|-------------------------------------------------|-------------------------------------------------|-----------------------------------------------------|----------------------------------------------------|--------|----|-----|-----|-----|-----|--|--|-----------|
| 1    | 76.2030     |             | Kupplung Sandvik                                | accouplement                                    | agganciamento                                       | coupling Sandvik                                   |        | 5  | 5   | 5   | 5   | 5   |  |  |           |
| 1a   | 76.3248     |             | Dichtung                                        | joint                                           | guarnizione                                         | sealing                                            | PTFE   | 5  | 5   | 5   | 5   | 5   |  |  |           |
| 2    | 76.2117.02  |             | Schlauch                                        | tuyau flexible                                  | tubo flessibile                                     | hose                                               |        | 1  | 1   | 1   | 1   | 1   |  |  |           |
| 3    |             |             | Siehe<br>Kapitel 76.9274.41                     | voir<br>chapitre 76. 9274.41                    | vedere<br>capitolo 76. 9274.41                      | see<br>chapter 76. 9274.41                         |        | 1  | 1   | 1   | 1   | 1   |  |  |           |
| 4    | 1201 2009   |             | Kniestück                                       | coude                                           | gomito                                              | angle                                              |        | 1  | 1   | 1   | 1   | 1   |  |  |           |
| 5    | 1201 2009   |             | Kniestück                                       | coude                                           | gomito                                              | angle                                              |        | 1  | 1   | 1   | 1   | 1   |  |  |           |
| 6    | 76.4558.02  |             | Flansch                                         | bride                                           | flangia                                             | flange                                             |        | 1  | 1   | 1   | 1   | 1   |  |  |           |
| 7    | 76.3336     |             | Schlauch                                        | tuyau flexible                                  | tubo flessibile                                     | hose                                               |        | 2  | 2   | 2   | 2   | 2   |  |  |           |
| 8    | 1105 1278   |             | Temperaturregler<br>Einstellung auf<br>Nummer 5 | régulateur de temp.<br>ajustage sur<br>numéro 5 | regolatore di temp.<br>aggiustamento su<br>numero 5 | temperature regulator<br>adjustment to<br>number 5 | AVTB20 | 1  | 1   | 1   | 1   | 1   |  |  |           |
| 8a   |             |             | Fühlerrohr                                      | tuyau de sonde                                  | tubo del sensore                                    | sensor tube                                        |        | 1  | 1   | 1   | 1   | 1   |  |  |           |
| 9    | 76.4571.03  |             | Nippel                                          | mamelon                                         | raccordo                                            | nipple                                             |        | 1  | 1   | 1   | 1   | 1   |  |  |           |
| 10   | 1201 2035   |             | Rückschlagventil                                | soupape anti-retour                             | valvola ritegno                                     | check valve                                        |        | 1  | 1   | 1   | 1   | 1   |  |  |           |
| 11   | 76.2098     |             | Flansch                                         | bride                                           | flangia                                             | flange                                             |        | 1  | 1   | 1   | 1   | 1   |  |  |           |
| 12   | 1201 1510   |             | Wärmeleitpaste                                  | pâte conduction<br>thermique                    | paste conduzione<br>di calore                       | heat-conductive<br>paste                           |        | X  | X   | X   | X   | X   |  |  |           |
| 15   | 76.2098     |             | Stutzen                                         | manchon                                         | carabina                                            | flange                                             |        | 1  | 1   | 1   | 1   | 1   |  |  |           |



| Doc. No.   | Index | Issue | DE          | FR         | IT           | GB       | Seite/ Page/ Pagina/ Page |  |  |  |
|------------|-------|-------|-------------|------------|--------------|----------|---------------------------|--|--|--|
| 76.9274.50 |       | 12/97 | Baugruppe   | Unité      | Unità        | Unit     | 1                         |  |  |  |
|            |       |       | Verschalung | revêtement | rivestimento | paneling |                           |  |  |  |

| Pos. | Product No. |                 | Bezeichnung | Désignation    | Designazione    | Designation | BON/BEN/(J)PEN |    |    |     |     |     |     |     | Introdu-<br>c-tion |
|------|-------------|-----------------|-------------|----------------|-----------------|-------------|----------------|----|----|-----|-----|-----|-----|-----|--------------------|
|      |             |                 |             |                |                 |             | 40             | 60 | 80 | 100 | 150 | 200 | 300 | 400 |                    |
| 1    | 76.5073.01  | W/700h/800/L    | Seitenwand  | paroi latérale | parete laterale | side panel  | 1              | 1  | 1  | 1   | 1   | 1   | 1   | 1   | 12/97              |
|      | 76.5073.11  | W/700h/800/R    | Seitenwand  | paroi latérale | parete laterale | side panel  | 1              | 1  | 1  | 1   | 1   | 1   | 1   | 1   | 12/97              |
|      | 76.5073.03  | W/700h/900/L    | Seitenwand  | paroi latérale | parete laterale | side panel  | 1              | 1  | 1  | 1   | 1   | 1   | 1   | 1   | 12/97              |
|      | 76.5073.13  | W/700h/900/R    | Seitenwand  | paroi latérale | parete laterale | side panel  | 1              | 1  | 1  | 1   | 1   | 1   | 1   | 1   | 12/97              |
|      | 76.5139.01  | F/700h/800/L    | Seitenwand  | paroi latérale | parete laterale | side panel  | 1              | 1  | 1  | 1   | 1   | 1   | 1   | 1   | 12/97              |
|      | 76.5139.01  | F/700h/800/R    | Seitenwand  | paroi latérale | parete laterale | side panel  | 1              | 1  | 1  | 1   | 1   | 1   | 1   | 1   | 12/97              |
|      | 76.5139.03  | F/700h/900/L    | Seitenwand  | paroi latérale | parete laterale | side panel  | 1              | 1  | 1  | 1   | 1   | 1   | 1   | 1   | 12/97              |
|      | 76.5139.03  | F/700h/900/R    | Seitenwand  | paroi latérale | parete laterale | side panel  | 1              | 1  | 1  | 1   | 1   | 1   | 1   | 1   | 12/97              |
|      | 76.5395.01  | Ju/W/650h/850/L | Seitenwand  | paroi latérale | parete laterale | side panel  |                |    | 1  |     | 1   |     |     |     | 12/97              |
|      | 76.5396.01  | Ju/W/650h/850/R | Seitenwand  | paroi latérale | parete laterale | side panel  |                |    | 1  |     | 1   |     |     |     | 12/97              |
|      | 76.5395.01  | Ju/W/650h/900/L | Seitenwand  | paroi latérale | parete laterale | side panel  |                |    | 1  |     | 1   |     |     |     | 12/97              |
|      | 76.5396.01  | Ju/W/650h/900/R | Seitenwand  | paroi latérale | parete laterale | side panel  |                |    | 1  |     | 1   |     |     |     | 12/97              |
|      | 76.5395.02  | Ju/W/700h/850/L | Seitenwand  | paroi latérale | parete laterale | side panel  |                |    |    |     |     | 1   | 1   |     | 12/97              |
|      | 76.5396.02  | Ju/W/700h/850/R | Seitenwand  | paroi latérale | parete laterale | side panel  |                |    |    |     |     | 1   | 1   |     | 12/97              |
|      | 76.5395.02  | Ju/W/700h/900/L | Seitenwand  | paroi latérale | parete laterale | side panel  |                |    |    |     |     | 1   | 1   |     | 12/97              |
|      | 76.5396.02  | Ju/W/700h/900/R | Seitenwand  | paroi latérale | parete laterale | side panel  |                |    |    |     |     | 1   | 1   |     | 12/97              |
|      | 76.5073.02  | S/N/800h/800/L  | Seitenwand  | paroi latérale | parete laterale | side panel  | 1              | 1  | 1  | 1   | 1   | 1   | 1   | 1   | 12/97              |
|      | 76.5073.12  | S/N/800h/800/R  | Seitenwand  | paroi latérale | parete laterale | side panel  | 1              | 1  | 1  | 1   | 1   | 1   | 1   | 1   | 12/97              |
|      | 76.5073.04  | S/N/800h/900/L  | Seitenwand  | paroi latérale | parete laterale | side panel  | 1              | 1  | 1  | 1   | 1   | 1   | 1   | 1   | 12/97              |
|      | 76.5073.14  | S/N/800h/900/R  | Seitenwand  | paroi latérale | parete laterale | side panel  | 1              | 1  | 1  | 1   | 1   | 1   | 1   | 1   | 12/97              |
|      | 76.5139.02  | S/F/800h/800/L  | Seitenwand  | paroi latérale | parete laterale | side panel  | 1              | 1  | 1  | 1   | 1   | 1   | 1   | 1   | 12/97              |
|      | 76.5139.02  | S/F/800h/800/R  | Seitenwand  | paroi latérale | parete laterale | side panel  | 1              | 1  | 1  | 1   | 1   | 1   | 1   | 1   | 12/97              |
|      | 76.5139.04  | S/F/800h/900/L  | Seitenwand  | paroi latérale | parete laterale | side panel  | 1              | 1  | 1  | 1   | 1   | 1   | 1   | 1   | 12/97              |
|      | 76.5139.04  | S/F/800h/900/R  | Seitenwand  | paroi latérale | parete laterale | side panel  | 1              | 1  | 1  | 1   | 1   | 1   | 1   | 1   | 12/97              |
|      | 76.5290.03  | Ju/S/750h/850/L | Seitenwand  | paroi latérale | parete laterale | side panel  |                |    | 1  |     | 1   | 1   | 1   |     | 12/97              |
|      | 76.5308.03  | Ju/S/750h/850/R | Seitenwand  | paroi latérale | parete laterale | side panel  |                |    | 1  |     | 1   | 1   | 1   |     | 12/97              |
|      | 76.5290.03  | Ju/S/750h/900/L | Seitenwand  | paroi latérale | parete laterale | side panel  |                |    | 1  |     | 1   | 1   | 1   |     | 12/97              |
|      | 76.5308.03  | Ju/S/750h/900/R | Seitenwand  | paroi latérale | parete laterale | side panel  |                |    | 1  |     | 1   | 1   | 1   |     | 12/97              |

| Doc. No.   | Index | Issue | DE          | FR         | IT           | GB       | Seite/ Page/ Pagina/ Page |  |  |  |  |  |  |
|------------|-------|-------|-------------|------------|--------------|----------|---------------------------|--|--|--|--|--|--|
| 76.9274.50 |       | 12/97 | Baugruppe   | Unité      | Unità        | Unit     | 2                         |  |  |  |  |  |  |
|            |       |       | Verschalung | revêtement | rivestimento | paneling |                           |  |  |  |  |  |  |

| Pos. | Product No. |                           | Bezeichnung | Désignation    | Designazione    | Designation | BON/BEN/(J)PEN |    |    |     |     |     |     | Introduc |       |
|------|-------------|---------------------------|-------------|----------------|-----------------|-------------|----------------|----|----|-----|-----|-----|-----|----------|-------|
|      |             |                           |             |                |                 |             | 40             | 60 | 80 | 100 | 150 | 200 | 300 |          | 400   |
| 1    | 76.5476.01  | Ju/S/F/650h/900/L         | Seitenwand  | paroi latérale | parete laterale | side panel  | 1              | 1  | 1  | 1   | 1   | 1   | 1   | 1        | 08/99 |
|      | 76.5476.02  | Ju/S/F/700h/900/L         | Seitenwand  | paroi latérale | parete laterale | side panel  | 1              | 1  | 1  | 1   | 1   | 1   | 1   | 1        | 08/99 |
|      | 76.5476.03  | Ju/S/F/750h/900/L         | Seitenwand  | paroi latérale | parete laterale | side panel  | 1              | 1  | 1  | 1   | 1   | 1   | 1   | 1        | 08/99 |
|      | 76.5477.01  | Ju/S/F/650h/900/R         | Seitenwand  | paroi latérale | parete laterale | side panel  | 1              | 1  | 1  | 1   | 1   | 1   | 1   | 1        | 08/99 |
|      | 76.5477.02  | Ju/S/F/700h/900/R         | Seitenwand  | paroi latérale | parete laterale | side panel  | 1              | 1  | 1  | 1   | 1   | 1   | 1   | 1        | 08/99 |
|      | 76.5477.03  | Ju/S/F/750h/900/R         | Seitenwand  | paroi latérale | parete laterale | side panel  | 1              | 1  | 1  | 1   | 1   | 1   | 1   | 1        | 08/99 |
|      | 76.5478.01  | Ju/S/NA/650h/900/L        | Seitenwand  | paroi latérale | parete laterale | side panel  | 1              | 1  | 1  | 1   | 1   | 1   | 1   | 1        | 08/99 |
|      | 76.5478.02  | Ju/S/NA/700h/900/L        | Seitenwand  | paroi latérale | parete laterale | side panel  | 1              | 1  | 1  | 1   | 1   | 1   | 1   | 1        | 08/99 |
|      | 76.5478.03  | Ju/S/NA/750h/900/L        | Seitenwand  | paroi latérale | parete laterale | side panel  | 1              | 1  | 1  | 1   | 1   | 1   | 1   | 1        | 08/99 |
|      | 76.5479.01  | Ju/S/NA/650h/900/R        | Seitenwand  | paroi latérale | parete laterale | side panel  | 1              | 1  | 1  | 1   | 1   | 1   | 1   | 1        | 08/99 |
|      | 76.5479.02  | Ju/S/NA/700h/900/R        | Seitenwand  | paroi latérale | parete laterale | side panel  | 1              | 1  | 1  | 1   | 1   | 1   | 1   | 1        | 08/99 |
|      | 76.5479.03  | Ju/S/NA/750h/900/R        | Seitenwand  | paroi latérale | parete laterale | side panel  | 1              | 1  | 1  | 1   | 1   | 1   | 1   | 1        | 08/99 |
| 1a   | 76.5187.01  | W/700h/800/L/R<br>2G/oW   | Blende      | bandeau        | copertura       | filler      | 1              | 1  | 1  | 1   | 1   | 1   | 1   | 1        | 12/97 |
|      | 76.5187.02  | W/700h/900/L/R<br>2G/oW   | Blende      | bandeau        | copertura       | filler      | 1              | 1  | 1  | 1   | 1   | 1   | 1   | 1        | 12/97 |
|      | 76.5186.01  | F/700h/800/L/R<br>2G/oW   | Blende      | bandeau        | copertura       | filler      | 1              | 1  | 1  | 1   | 1   | 1   | 1   | 1        | 12/97 |
|      | 76.5186.02  | F/700h/900/L/R<br>2G/oW   | Blende      | bandeau        | copertura       | filler      | 1              | 1  | 1  | 1   | 1   | 1   | 1   | 1        | 12/97 |
|      | 76.5187.01  | S/N/800h/800/L/R<br>2G/oW | Blende      | bandeau        | copertura       | filler      | 1              | 1  | 1  | 1   | 1   | 1   | 1   | 1        | 12/97 |
|      | 76.5187.02  | S/N/800h/900/L/R<br>2G/oW | Blende      | bandeau        | copertura       | filler      | 1              | 1  | 1  | 1   | 1   | 1   | 1   | 1        | 12/97 |
|      | 76.5186.01  | S/F/800h/800/L/R<br>2G/oW | Blende      | bandeau        | copertura       | filler      | 1              | 1  | 1  | 1   | 1   | 1   | 1   | 1        | 12/97 |
|      | 76.5187.02  | S/F/800h/900/L/R<br>2G/oW | Blende      | bandeau        | copertura       | filler      | 1              | 1  | 1  | 1   | 1   | 1   | 1   | 1        | 12/97 |

| Doc. No.   | Index | Issue | DE          | FR         | IT           | GB       | Seite/ Page/ Pagina/ Page |  |  |  |  |  |
|------------|-------|-------|-------------|------------|--------------|----------|---------------------------|--|--|--|--|--|
| 76.9274.50 |       | 12/97 | Baugruppe   | Unité      | Unità        | Unit     | 3                         |  |  |  |  |  |
|            |       |       | Verschalung | revêtement | rivestimento | paneling |                           |  |  |  |  |  |

| Pos. | Product No. |              | Bezeichnung | Désignation | Designazione | Designation | BON/BEN/(J)PEN |     |            |     |            |            |            |     | Introdu. |
|------|-------------|--------------|-------------|-------------|--------------|-------------|----------------|-----|------------|-----|------------|------------|------------|-----|----------|
|      |             |              |             |             |              |             | 40             | 60  | 80         | 100 | 150        | 200        | 300        | 400 |          |
| 2    | 76.5192.01  | W            | Boden       | fond        | fondo        | base        | BON            |     |            |     |            |            |            |     | 12/97    |
|      | 76.5185.01  | W            | Boden       | fond        | fondo        | base        |                | BON |            |     |            |            |            |     | 12/97    |
|      | 76.5285.01  | W            | Boden       | fond        | fondo        | base        |                |     | BON        | BON |            |            |            |     | 12/97    |
|      | 76.5207.01  | W            | Boden       | fond        | fondo        | base        |                |     |            |     | BON        |            |            |     | 12/97    |
|      | 76.5197.01  | (Ju)W        | Boden       | fond        | fondo        | base        |                |     | BEN<br>PEN |     |            |            |            |     | 12/97    |
|      | 76.5212.01  | (Ju)W        | Boden       | fond        | fondo        | base        |                |     |            |     | BEN<br>PEN | BEN<br>PEN |            |     | 12/97    |
|      | 76.5213.01  | (Ju)W        | Boden       | fond        | fondo        | base        |                |     |            |     |            |            | BEN<br>PEN |     | 12/97    |
|      | 76.5222.01  | W            | Boden       | fond        | fondo        | base        |                |     |            |     |            |            |            | BEN | 12/97    |
|      | 76.5192.02  | S            | Boden       | fond        | fondo        | base        | BON            |     |            |     |            |            |            |     | 12/97    |
|      | 76.5185.02  | S            | Boden       | fond        | fondo        | base        |                | BON |            |     |            |            |            |     | 12/97    |
|      | 76.5285.02  | S            | Boden       | fond        | fondo        | base        |                |     | BON        | BON |            |            |            |     | 12/97    |
|      | 76.5207.02  | S            | Boden       | fond        | fondo        | base        |                |     |            |     | BON        |            |            |     | 12/97    |
|      | 76.5197.02  | (Ju)S        | Boden       | fond        | fondo        | base        |                |     | BEN<br>PEN |     |            |            |            |     | 12/97    |
|      | 76.5212.02  | (Ju)S        | Boden       | fond        | fondo        | base        |                |     |            |     | BEN<br>PEN | BEN<br>PEN |            |     | 12/97    |
|      | 76.5213.02  | (Ju)S        | Boden       | fond        | fondo        | base        |                |     |            |     |            |            | BEN<br>PEN |     | 12/97    |
|      | 76.5222.02  | S            | Boden       | fond        | fondo        | base        |                |     |            |     |            |            |            | BEN | 12/97    |
|      | 76.5192.04  | S/F/800      | Boden       | fond        | fondo        | base        | BON            |     |            |     |            |            |            |     | 12/97    |
|      | 76.5185.04  | S/F/800      | Boden       | fond        | fondo        | base        |                | BON |            |     |            |            |            |     | 12/97    |
|      | 76.5285.04  | S/F/800      | Boden       | fond        | fondo        | base        |                |     | BON        | BON |            |            |            |     | 12/97    |
|      | 76.5207.04  | S/F/800      | Boden       | fond        | fondo        | base        |                |     |            |     | BON        |            |            |     | 12/97    |
|      | 76.5197.04  | (Ju) S/F/800 | Boden       | fond        | fondo        | base        |                |     | BEN<br>PEN |     |            |            |            |     | 12/97    |
|      | 76.5212.04  | (Ju) S/F/800 | Boden       | fond        | fondo        | base        |                |     |            |     | BEN<br>PEN | BEN<br>PEN |            |     | 12/97    |
|      | 76.5213.04  | (Ju) S/F/800 | Boden       | fond        | fondo        | base        |                |     |            |     |            |            | BEN<br>PEN |     | 12/97    |
|      | 76.5222.04  | S/F/800      | Boden       | fond        | fondo        | base        |                |     |            |     |            |            |            | BEN | 12/97    |
|      | 76.5192.03  | S/Hy/800     | Boden       | fond        | fondo        | base        | BON            |     |            |     |            |            |            |     | 12/97    |
|      | 76.5185.03  | S/Hy/800     | Boden       | fond        | fondo        | base        |                | BON |            |     |            |            |            |     | 12/97    |
|      | 76.5285.03  | S/Hy/800     | Boden       | fond        | fondo        | base        |                |     | BON        | BON |            |            |            |     | 12/97    |
|      | 76.5207.03  | S/Hy/800     | Boden       | fond        | fondo        | base        |                |     |            |     | BON        |            |            |     | 12/97    |



| Doc. No.   | Index | Issue | DE          | FR         | IT           | GB       | Seite/ Page/ Pagina/ Page |
|------------|-------|-------|-------------|------------|--------------|----------|---------------------------|
| 76.9274.50 |       | 12/97 | Baugruppe   | Unité      | Unità        | Unit     | 4                         |
|            |       |       | Verschalung | revêtement | rivestimento | paneling |                           |

| Pos. | Product No. |                   | Bezeichnung | Désignation | Designatione | Designation | BON/BEN/(J)PEN |     |            |            |            |            |     |     | Intro-<br>duction |
|------|-------------|-------------------|-------------|-------------|--------------|-------------|----------------|-----|------------|------------|------------|------------|-----|-----|-------------------|
|      |             |                   |             |             |              |             | 40             | 60  | 80         | 100        | 150        | 200        | 300 | 400 |                   |
| 2    | 76.5197.03  | (Ju) S/ Hy /800   | Boden       | fond        | fondo        | base        |                |     | BEN<br>PEN |            |            |            |     |     | 12/97             |
|      | 76.5212.03  | (Ju) S/ Hy /800   | Boden       | fond        | fondo        | base        |                |     |            | BEN<br>PEN | BEN<br>PEN |            |     |     | 12/97             |
|      | 76.5213.03  | (Ju) S/ Hy /800   | Boden       | fond        | fondo        | base        |                |     |            |            |            | BEN<br>PEN |     |     | 12/97             |
|      | 76.5222.05  | S/ Hy /900        | Boden       | fond        | fondo        | base        |                |     |            |            |            |            | BEN |     | 12/97             |
|      | 76.5192.05  | S/Hy/900          | Boden       | fond        | fondo        | base        | BON            |     |            |            |            |            |     |     | 12/97             |
|      | 76.5185.05  | S/Hy/900          | Boden       | fond        | fondo        | base        |                | BON |            |            |            |            |     |     | 12/97             |
|      | 76.5285.05  | S/Hy/900          | Boden       | fond        | fondo        | base        |                |     | BON        | BON        |            |            |     |     | 12/97             |
|      | 76.5207.05  | S/Hy/900          | Boden       | fond        | fondo        | base        |                |     |            | BON        |            |            |     |     | 12/97             |
|      | 76.5197.05  | (Ju) S/ Hy /900   | Boden       | fond        | fondo        | base        |                |     | BEN<br>PEN |            |            |            |     |     | 12/97             |
|      | 76.5212.05  | (Ju) S/ Hy /900   | Boden       | fond        | fondo        | base        |                |     |            | BEN<br>PEN | BEN<br>PEN |            |     |     | 12/97             |
|      | 76.5213.05  | (Ju) S/ Hy /900   | Boden       | fond        | fondo        | base        |                |     |            |            |            | BEN<br>PEN |     |     | 12/97             |
|      | 76.5222.03  | S/ Hy /800        | Boden       | fond        | fondo        | base        |                |     |            |            |            |            | BEN |     | 12/97             |
|      | 76.5197.06  | (Ju) S/T/ Hy /900 | Boden       | fond        | fondo        | base        |                |     | BEN<br>PEN |            |            |            |     |     | 5/98              |
|      | 76.5212.06  | (Ju) S/T/ Hy /900 | Boden       | fond        | fondo        | base        |                |     |            | BEN<br>PEN | BEN<br>PEN |            |     |     | 5/98              |
|      | 76.5213.06  | (Ju) S/T/ Hy /900 | Boden       | fond        | fondo        | base        |                |     |            |            |            | BEN<br>PEN |     |     | 5/98              |
|      | 76.5222.06  | S/T/ Hy /900      | Boden       | fond        | fondo        | base        |                |     |            |            |            |            | BEN |     | 5/98              |
|      |             |                   |             |             |              |             |                |     |            |            |            |            |     |     | 5/98              |

| Doc. No.   | Index | Issue | DE           | FR         | IT           | GB       | Seite/ Page/ Pagina/ Page |  |  |  |  |  |  |
|------------|-------|-------|--------------|------------|--------------|----------|---------------------------|--|--|--|--|--|--|
| 76.9274.50 |       | 12/97 | Baugruppe    | Unité      | Unità        | Unit     | 5                         |  |  |  |  |  |  |
|            |       |       | Verschaltung | revêtement | rivestimento | paneling |                           |  |  |  |  |  |  |

| Pos. | Product No. |            | Bezeichnung | Désignation | Designazione | Designation | BON/BEN/(J)PEN |     |            |            |            |            |     |     | Intro-<br>duction |
|------|-------------|------------|-------------|-------------|--------------|-------------|----------------|-----|------------|------------|------------|------------|-----|-----|-------------------|
|      |             |            |             |             |              |             | 40             | 60  | 80         | 100        | 150        | 200        | 300 | 400 |                   |
| 3    | 76.1180.01  | W/800      | Blende      | bandeau     | copertura    | filler      | BON            |     |            |            |            |            |     |     | 12/97             |
|      | 76.1181.01  | W/800      | Blende      | bandeau     | copertura    | filler      |                | BON |            |            |            |            |     |     | 12/97             |
|      | 76.1175.01  | W/800      | Blende      | bandeau     | copertura    | filler      |                |     | BON        | BON        |            |            |     |     | 12/97             |
|      | 76.1182.01  | W/800      | Blende      | bandeau     | copertura    | filler      |                |     |            | BON        |            |            |     |     | 12/97             |
|      | 76.1181.01  | W/800      | Blende      | bandeau     | copertura    | filler      |                |     | BEN<br>PEN |            |            |            |     |     | 12/97             |
|      | 76.1183.01  | W/800      | Blende      | bandeau     | copertura    | filler      |                |     |            | BEN<br>PEN | BEN<br>PEN |            |     |     | 12/97             |
|      | 76.1184.01  | W/800      | Blende      | bandeau     | copertura    | filler      |                |     |            |            |            | BEN<br>PEN |     |     | 12/97             |
|      | 76.1185.01  | W/800      | Blende      | bandeau     | copertura    | filler      |                |     |            |            |            |            | BEN |     | 12/97             |
|      | 76.1180.02  | W/900      | Blende      | bandeau     | copertura    | filler      | BON            |     |            |            |            |            |     |     | 12/97             |
|      | 76.1181.02  | W/900      | Blende      | bandeau     | copertura    | filler      |                | BON |            |            |            |            |     |     | 12/97             |
|      | 76.1175.02  | W/900      | Blende      | bandeau     | copertura    | filler      |                |     | BON        | BON        |            |            |     |     | 12/97             |
|      | 76.1182.02  | W/900      | Blende      | bandeau     | copertura    | filler      |                |     |            | BON        |            |            |     |     | 12/97             |
|      | 76.1181.02  | W/900      | Blende      | bandeau     | copertura    | filler      |                |     | BEN<br>PEN |            |            |            |     |     | 12/97             |
|      | 76.1183.02  | W/900      | Blende      | bandeau     | copertura    | filler      |                |     |            | BEN<br>PEN | BEN<br>PEN |            |     |     | 12/97             |
|      | 76.1184.02  | W/900      | Blende      | bandeau     | copertura    | filler      |                |     |            |            |            | BEN<br>PEN |     |     | 12/97             |
|      | 76.1185.02  | W/900      | Blende      | bandeau     | copertura    | filler      |                |     |            |            |            |            | BEN |     | 12/97             |
|      | 76.1180.02  | S/N/mR/800 | Blende      | bandeau     | copertura    | filler      | BON            |     |            |            |            |            |     |     | 12/97             |
|      | 76.1181.02  | S/N/mR/800 | Blende      | bandeau     | copertura    | filler      |                | BON |            |            |            |            |     |     | 12/97             |
|      | 76.1175.02  | S/N/mR/800 | Blende      | bandeau     | copertura    | filler      |                |     | BON        | BON        |            |            |     |     | 12/97             |
|      | 76.1182.02  | S/N/mR/800 | Blende      | bandeau     | copertura    | filler      |                |     |            | BON        |            |            |     |     | 12/97             |
|      | 76.1181.02  | S/N/mR/800 | Blende      | bandeau     | copertura    | filler      |                |     | BEN<br>PEN |            |            |            |     |     | 12/97             |
|      | 76.1183.02  | S/N/mR/800 | Blende      | bandeau     | copertura    | filler      |                |     |            | BEN<br>PEN | BEN<br>PEN |            |     |     | 12/97             |
|      | 76.1184.02  | S/N/mR/800 | Blende      | bandeau     | copertura    | filler      |                |     |            |            |            | BEN<br>PEN |     |     | 12/97             |
|      | 76.1185.02  | S/N/mR/800 | Blende      | bandeau     | copertura    | filler      |                |     |            |            |            |            | BEN |     | 12/97             |
|      | 76.1180.04  | S/N/mR/900 | Blende      | bandeau     | copertura    | filler      | BON            |     |            |            |            |            |     |     | 12/97             |
|      | 76.1181.04  | S/N/mR/900 | Blende      | bandeau     | copertura    | filler      |                | BON |            |            |            |            |     |     | 12/97             |
|      | 76.1175.04  | S/N/mR/900 | Blende      | bandeau     | copertura    | filler      |                |     | BON        | BON        |            |            |     |     | 12/97             |

| Doc. No.   | Index | Issue | DE           | FR         | IT           | GB       | Seite/ Page/ Pagina/ Page |  |  |  |  |  |
|------------|-------|-------|--------------|------------|--------------|----------|---------------------------|--|--|--|--|--|
| 76.9274.50 |       | 12/97 | Baugruppe    | Unité      | Unità        | Unit     | 6                         |  |  |  |  |  |
|            |       |       | Verschaltung | revêtement | rivestimento | paneling |                           |  |  |  |  |  |

| Pos. | Product No. |            | Bezeichnung   | Désignation         | Designazione        | Designation  | BON/BEN/(J)PEN |     |            |     |            |            |            |     | Intro-<br>duction |
|------|-------------|------------|---------------|---------------------|---------------------|--------------|----------------|-----|------------|-----|------------|------------|------------|-----|-------------------|
|      |             |            |               |                     |                     |              | 40             | 60  | 80         | 100 | 150        | 200        | 300        | 400 |                   |
| 3    | 76.1182.04  | S/N/mR/900 | Blende        | bandeau             | copertura           | filler       |                |     |            |     | BON        |            |            |     | 12/97             |
|      | 76.1181.04  | S/N/mR/900 | Blende        | bandeau             | copertura           | filler       |                |     | BEN<br>PEN |     |            |            |            |     | 12/97             |
|      | 76.1183.04  | S/N/mR/900 | Blende        | bandeau             | copertura           | filler       |                |     |            |     | BEN<br>PEN | BEN<br>PEN |            |     | 12/97             |
|      | 76.1184.04  | S/N/mR/900 | Blende        | bandeau             | copertura           | filler       |                |     |            |     |            |            | BEN<br>PEN |     | 12/97             |
|      | 76.1185.04  | S/N/mR/900 | Blende        | bandeau             | copertura           | filler       |                |     |            |     |            |            |            | BEN | 12/97             |
|      | 76.5335.01  | S/F/900    | Blende        | bandeau             | copertura           | filler       | BON            |     |            |     |            |            |            |     | 12/97             |
|      | 76.5335.02  | S/F/900    | Blende        | bandeau             | copertura           | filler       |                | BON |            |     |            |            |            |     | 12/97             |
|      | 76.5335.03  | S/F/900    | Blende        | bandeau             | copertura           | filler       |                |     | BON        | BON |            |            |            |     | 12/97             |
|      | 76.5335.04  | S/F/900    | Blende        | bandeau             | copertura           | filler       |                |     |            |     | BON        |            |            |     | 12/97             |
|      | 76.5335.02  | S/F/900    | Blende        | bandeau             | copertura           | filler       |                |     | BEN<br>PEN |     |            |            |            |     | 12/97             |
|      | 76.5335.05  | S/F/900    | Blende        | bandeau             | copertura           | filler       |                |     |            |     | BEN<br>PEN | BEN<br>PEN |            |     | 12/97             |
|      | 76.5335.06  | S/F/900    | Blende        | bandeau             | copertura           | filler       |                |     |            |     |            |            | BEN<br>PEN |     | 12/97             |
|      | 76.5335.07  | S/F/900    | Blende        | bandeau             | copertura           | filler       |                |     |            |     |            |            |            | BEN | 12/97             |
|      | 76.5376.02  | Ju/850-900 | Blende        | bandeau             | copertura           | filler       |                |     | 1          |     |            |            |            |     | 12/97             |
|      | 76.5376.05  | Ju/850-900 | Blende        | bandeau             | copertura           | filler       |                |     |            |     | 1          | 1          |            |     | 12/97             |
|      | 76.5376.06  | Ju/850-900 | Blende        | bandeau             | copertura           | filler       |                |     |            |     |            |            | 1          |     | 12/97             |
| 4    | 76.1147.01  | P/700h     | Schalterfront | panneau de commande | pannello di comando | switch panel | 1              | 1   | 1          | 1   | 1          | 1          | 1          | 1   | 12/97             |
|      | 76.1147.02  | C/700h     | Schalterfront | panneau de commande | pannello di comando | switch panel | 1              | 1   | 1          | 1   | 1          | 1          | 1          | 1   | 12/97             |
|      | 76.1147.03  | P/S/700h   | Schalterfront | panneau de commande | pannello di comando | switch panel | 1              | 1   | 1          | 1   | 1          | 1          | 1          | 1   | 12/97             |
|      | 76.1147.04  | C/S/700h   | Schalterfront | panneau de commande | pannello di comando | switch panel | 1              | 1   | 1          | 1   | 1          | 1          | 1          | 1   | 12/97             |
|      | 76.1202     | H/700h     | Schalterfront | panneau de commande | pannello di comando | switch panel | 1              | 1   | 1          | 1   | 1          | 1          | 1          | 1   | 12/97             |
|      | 76.1148.01  | P/800      | Schalterfront | panneau de commande | pannello di comando | switch panel | 1              | 1   | 1          | 1   | 1          | 1          | 1          | 1   | 12/97             |
|      | 76.1148.02  | C/800      | Schalterfront | panneau de commande | pannello di comando | switch panel | 1              | 1   | 1          | 1   | 1          | 1          | 1          | 1   | 12/97             |
|      | 76.1148.03  | P/S/800    | Schalterfront | panneau de commande | pannello di comando | switch panel | 1              | 1   | 1          | 1   | 1          | 1          | 1          | 1   | 12/97             |
|      | 76.1148.04  | C/S/800    | Schalterfront | panneau de commande | pannello di comando | switch panel | 1              | 1   | 1          | 1   | 1          | 1          | 1          | 1   | 12/97             |
|      | 76.1203     | H/800h     | Schalterfront | panneau de commande | pannello di comando | switch panel | 1              | 1   | 1          | 1   | 1          | 1          | 1          | 1   | 12/97             |

| Doc. No.   | Index | Issue | DE           | FR         | IT           | GB       | Seite/ Page/ Pagina/ Page |  |  |  |  |  |  |
|------------|-------|-------|--------------|------------|--------------|----------|---------------------------|--|--|--|--|--|--|
| 76.9274.50 |       | 12/97 | Baugruppe    | Unité      | Unità        | Unit     | 7                         |  |  |  |  |  |  |
|            |       |       | Verschaltung | revêtement | rivestimento | paneling |                           |  |  |  |  |  |  |

| Pos. | Product No. |             | Bezeichnung   | Désignation         | Designazione        | Designation  | BON/BEN/(J)PEN |     |            |      |     |     |     | Intro-<br>duction |                   |
|------|-------------|-------------|---------------|---------------------|---------------------|--------------|----------------|-----|------------|------|-----|-----|-----|-------------------|-------------------|
|      |             |             |               |                     |                     |              | 40             | 60  | 80         | 100§ | 150 | 200 | 300 |                   | 400               |
| 4    | 76.5362.01  | Ju/P/650h   | Schalterfront | panneau de commande | pannello di comando | switch panel |                |     | 1          |      | 1   | 1   | 1   |                   | 12/97             |
|      | 76.5362.02  | Ju/C/650h   | Schalterfront | panneau de commande | pannello di comando | switch panel |                |     | 1          |      | 1   | 1   | 1   |                   | 12/97             |
|      | 76.5362.03  | Ju/P/S/650h | Schalterfront | panneau de commande | pannello di comando | switch panel |                |     | 1          |      | 1   | 1   | 1   |                   | 12/97             |
|      | 76.5362.04  | Ju/C/S/650h | Schalterfront | panneau de commande | pannello di comando | switch panel |                |     | 1          |      | 1   | 1   | 1   |                   | 12/97             |
|      | 76.5288.01  | Ju/P/700h   | Schalterfront | panneau de commande | pannello di comando | switch panel |                |     | 1          |      | 1   | 1   | 1   |                   | 12/97             |
|      | 76.5288.02  | Ju/C/700h   | Schalterfront | panneau de commande | pannello di comando | switch panel |                |     | 1          |      | 1   | 1   | 1   |                   | 12/97             |
|      | 76.5288.03  | Ju/P/S/700h | Schalterfront | panneau de commande | pannello di comando | switch panel |                |     | 1          |      | 1   | 1   | 1   |                   | 12/97             |
|      | 76.5288.04  | Ju/C/S/700h | Schalterfront | panneau de commande | pannello di comando | switch panel |                |     | 1          |      | 1   | 1   | 1   |                   | 12/97             |
|      | 76.5360.01  | Ju/P/750h   | Schalterfront | panneau de commande | pannello di comando | switch panel |                |     | 1          |      | 1   | 1   | 1   |                   | 12/97             |
|      | 76.5360.02  | Ju/C/750h   | Schalterfront | panneau de commande | pannello di comando | switch panel |                |     | 1          |      | 1   | 1   | 1   |                   | 12/97             |
|      | 76.5360.03  | Ju/P/S/750h | Schalterfront | panneau de commande | pannello di comando | switch panel |                |     | 1          |      | 1   | 1   | 1   |                   | 12/97             |
|      | 76.5360.04  | Ju/C/S/750h | Schalterfront | panneau de commande | pannello di comando | switch panel |                |     | 1          |      | 1   | 1   | 1   |                   | 12/97             |
| 5    | 76.1172     | RW/700h     | Schalterfront | panneau de commande | pannello di comando | switch panel | 1              | 1   | 1          | 1    | 1   |     |     |                   | 12/97             |
|      | 76.1173     | RW/800h     | Schalterfront | panneau de commande | pannello di comando | switch panel | 1              | 1   | 1          | 1    | 1   |     |     |                   | 12/97             |
| 6    | 76.5162.02  | 700h        | Frontblech    | tôle frontale       | lamiera frontale    | front panel  | BON            |     |            |      |     |     |     |                   | 12/97             |
|      | 76.5163.02  | 700h        | Frontblech    | tôle frontale       | lamiera frontale    | front panel  |                | BON |            |      |     |     |     |                   | 12/97             |
|      | 76.5164.02  | 700h        | Frontblech    | tôle frontale       | lamiera frontale    | front panel  |                |     | BON        |      |     |     |     |                   | 12/97             |
|      | 76.5164.04  | 700h/800    | Frontblech    | tôle frontale       | lamiera frontale    | front panel  |                |     |            | BON  |     |     |     |                   | 12/97             |
|      | 76.5164.06  | 700h        | Frontblech    | tôle frontale       | lamiera frontale    | front panel  |                |     |            | BON  |     |     |     |                   | 12/97             |
|      | 76.5165.02  | 700h        | Frontblech    | tôle frontale       | lamiera frontale    | front panel  |                |     |            |      | BON |     |     |                   | 12/97             |
|      | 76.5283.02  | 700h/RW     | Frontblech    | tôle frontale       | lamiera frontale    | front panel  | BON            |     |            |      |     |     |     |                   | 12/97             |
|      | 76.5282.02  | 700h/RW     | Frontblech    | tôle frontale       | lamiera frontale    | front panel  |                | BON |            |      |     |     |     |                   | 12/97             |
|      | 76.5281.02  | 700h/RW     | Frontblech    | tôle frontale       | lamiera frontale    | front panel  |                |     | BON        |      |     |     |     |                   | 12/97             |
|      | 76.5281.04  | 700h/800/RW | Frontblech    | tôle frontale       | lamiera frontale    | front panel  |                |     |            | BON  |     |     |     |                   | 12/97             |
|      | 76.5281.06  | 700h/RW     | Frontblech    | tôle frontale       | lamiera frontale    | front panel  |                |     |            | BON  |     |     |     |                   | 12/97             |
|      | 76.5284.02  | 700h/RW     | Frontblech    | tôle frontale       | lamiera frontale    | front panel  |                |     |            |      | BON |     |     |                   | 12/97             |
|      | 76.5082.01  | 700h        | Frontblech    | tôle frontale       | lamiera frontale    | front panel  |                |     | BEN<br>PEN |      |     |     |     |                   | 12/97             |
|      | 76.5082.02  | 700h        | Frontblech    | tôle frontale       | lamiera frontale    | front panel  |                |     | BEN<br>PEN |      |     |     |     |                   | 12/97             |
|      | 76.5722.02  | W/700h      | Frontblech    | tôle frontale       | lamiera frontale    | front panel  |                |     | BEN<br>-S  |      |     |     |     |                   | 40. week<br>09/04 |
|      | 76.5647.02  | 700h        | Frontblech    | tôle frontale       | lamiera frontale    | front panel  |                |     | BEN<br>PEN |      |     |     |     |                   | 06/03             |
|      | 76.5171.04  | 700h        | Frontblech    | tôle frontale       | lamiera frontale    | front panel  |                |     |            | BEN  |     |     |     |                   | 12/97             |

| Doc. No.          | Index | Issue        | DE               | FR           | IT           | GB          | Seite/ Page/ Pagina/ Page |  |  |  |  |  |  |
|-------------------|-------|--------------|------------------|--------------|--------------|-------------|---------------------------|--|--|--|--|--|--|
| <b>76.9274.50</b> |       | <b>12/97</b> | <b>Baugruppe</b> | <b>Unité</b> | <b>Unità</b> | <b>Unit</b> | <b>7</b>                  |  |  |  |  |  |  |
|                   |       |              | Verschalung      | revêtement   | rivestimento | paneling    |                           |  |  |  |  |  |  |

|   |            |             |            |               |                  |             |     |     |     |            |     |            |            |       |  |                   |
|---|------------|-------------|------------|---------------|------------------|-------------|-----|-----|-----|------------|-----|------------|------------|-------|--|-------------------|
| 6 | 76.5723.04 | W/700h      | Frontblech | tôle frontale | lamiera frontale | front panel |     |     |     |            |     | BEN-S      |            |       |  | 40. week<br>09/04 |
|   | 76.5648.04 | 700h        | Frontblech | tôle frontale | lamiera frontale | front panel |     |     |     |            |     | BEN<br>PEN |            |       |  | 06/03             |
|   | 76.5171.02 | 700h        | Frontblech | tôle frontale | lamiera frontale | front panel |     |     |     |            |     | BEN<br>PEN |            |       |  | 12/97             |
|   | 76.5723.02 | W/700h      | Frontblech | tôle frontale | lamiera frontale | front panel |     |     |     |            |     | BEN-S      |            |       |  | 40. week<br>09/04 |
|   | 76.5648.02 | 700h        | Frontblech | tôle frontale | lamiera frontale | front panel |     |     |     |            |     | BEN<br>PEN |            |       |  | 06/03             |
|   | 76.5137.02 | 700h        | Frontblech | tôle frontale | lamiera frontale | front panel |     |     |     |            |     |            | BEN<br>PEN |       |  | 12/97             |
|   | 76.5724.02 | W/700h      | Frontblech | tôle frontale | lamiera frontale | front panel |     |     |     |            |     |            | BEN-S      |       |  | 40. week<br>09/04 |
|   | 76.5649.02 | 700h        | Frontblech | tôle frontale | lamiera frontale | front panel |     |     |     |            |     |            | BEN<br>PEN |       |  | 06/03             |
|   | 76.5299.02 | 700h        | Frontblech | tôle frontale | lamiera frontale | front panel |     |     |     |            |     |            |            | BEN   |  | 12/97             |
|   | 76.5725.02 | W/700h      | Frontblech | tôle frontale | lamiera frontale | front panel |     |     |     |            |     |            |            | BEN-S |  | 40. week<br>09/04 |
|   | 76.5650.02 | 700h        | Frontblech | tôle frontale | lamiera frontale | front panel |     |     |     |            |     |            |            | BEN   |  | 06/03             |
|   | 76.5162.01 | 800h        | Frontblech | tôle frontale | lamiera frontale | front panel | BON |     |     |            |     |            |            |       |  | 12/97             |
|   | 76.5163.01 | 800h        | Frontblech | tôle frontale | lamiera frontale | front panel |     | BON |     |            |     |            |            |       |  | 12/97             |
|   | 76.5164.01 | 800h        | Frontblech | tôle frontale | lamiera frontale | front panel |     |     | BON |            |     |            |            |       |  | 12/97             |
|   | 76.5164.03 | 800h/800    | Frontblech | tôle frontale | lamiera frontale | front panel |     |     |     | BON        |     |            |            |       |  | 12/97             |
|   | 76.5164.05 | 800h        | Frontblech | tôle frontale | lamiera frontale | front panel |     |     |     | BON        |     |            |            |       |  | 12/97             |
|   | 76.5165.01 | 800h        | Frontblech | tôle frontale | lamiera frontale | front panel |     |     |     |            | BON |            |            |       |  | 12/97             |
|   | 76.5283.01 | 800h/RW     | Frontblech | tôle frontale | lamiera frontale | front panel | BON |     |     |            |     |            |            |       |  | 12/97             |
|   | 76.5282.01 | 800h/RW     | Frontblech | tôle frontale | lamiera frontale | front panel |     | BON |     |            |     |            |            |       |  | 12/97             |
|   | 76.5281.01 | 800h/RW     | Frontblech | tôle frontale | lamiera frontale | front panel |     |     | BON |            |     |            |            |       |  | 12/97             |
|   | 76.5281.03 | 800h/800/RW | Frontblech | tôle frontale | lamiera frontale | front panel |     |     |     | BON        |     |            |            |       |  | 12/97             |
|   | 76.5281.05 | 800h/RW     | Frontblech | tôle frontale | lamiera frontale | front panel |     |     |     | BON        |     |            |            |       |  | 12/97             |
|   | 76.5284.01 | 800h/RW     | Frontblech | tôle frontale | lamiera frontale | front panel |     |     |     |            | BON |            |            |       |  | 12/97             |
|   | 76.5082.01 | 800h        | Frontblech | tôle frontale | lamiera frontale | front panel |     |     |     | BEN<br>PEN |     |            |            |       |  | 12/97             |
|   | 76.5722.01 | S/800h      | Frontblech | tôle frontale | lamiera frontale | front panel |     |     |     | BEN<br>-S  |     |            |            |       |  | 40. week<br>09/04 |
|   | 76.5647.01 | 800h        | Frontblech | tôle frontale | lamiera frontale | front panel |     |     |     | BEN<br>PEN |     |            |            |       |  | 06/03             |
|   | 76.5171.01 | 700h        | Frontblech | tôle frontale | lamiera frontale | front panel |     |     |     |            |     | BEN<br>PEN |            |       |  | 12/97             |

| Doc. No.   | Index | Issue | DE          | FR         | IT           | GB       | Seite/ Page/ Pagina/ Page |  |  |  |
|------------|-------|-------|-------------|------------|--------------|----------|---------------------------|--|--|--|
| 76.9274.50 |       | 12/97 | Baugruppe   | Unité      | Unità        | Unit     | 8                         |  |  |  |
|            |       |       | Verschalung | revêtement | rivestimento | paneling |                           |  |  |  |

| Pos. | Product No. |         | Bezeichnung | Désignation   | Designazione     | Designation | BON/BEN/(J)PEN |    |    |     |     |            |            | Intro-<br>duction |                   |
|------|-------------|---------|-------------|---------------|------------------|-------------|----------------|----|----|-----|-----|------------|------------|-------------------|-------------------|
|      |             |         |             |               |                  |             | 40             | 60 | 80 | 100 | 150 | 200        | 300        |                   | 400               |
| 6    | 76.5723.01  | S/700h  | Frontblech  | tôle frontale | lamiera frontale | front panel |                |    |    |     |     | BEN-S      |            |                   | 40. week<br>09/04 |
|      | 76.5171.03  | 800h    | Frontblech  | tôle frontale | lamiera frontale | front panel |                |    |    |     |     | BEN<br>PEN |            |                   | 12/97             |
|      | 76.5723.03  | S/700h  | Frontblech  | tôle frontale | lamiera frontale | front panel |                |    |    |     |     | BEN-S      |            |                   | 40. week<br>09/04 |
|      | 76.5648.03  | 800h    | Frontblech  | tôle frontale | lamiera frontale | front panel |                |    |    |     |     | BEN<br>PEN |            |                   | 06/03             |
|      | 76.5648.01  | 800h    | Frontblech  | tôle frontale | lamiera frontale | front panel |                |    |    |     |     | BEN<br>PEN |            |                   | 06/03             |
|      | 76.5137.01  | 800h    | Frontblech  | tôle frontale | lamiera frontale | front panel |                |    |    |     |     |            | BEN<br>PEN |                   | 12/97             |
|      | 76.5724.01  | S/700h  | Frontblech  | tôle frontale | lamiera frontale | front panel |                |    |    |     |     |            | BEN-S      |                   | 40. week<br>09/04 |
|      | 76.5649.01  | 800h    | Frontblech  | tôle frontale | lamiera frontale | front panel |                |    |    |     |     |            | BEN<br>PEN |                   | 06/03             |
|      | 76.5299.01  | 800h    | Frontblech  | tôle frontale | lamiera frontale | front panel |                |    |    |     |     |            |            | BEN               | 12/97             |
|      | 76.5725.01  | S/700h  | Frontblech  | tôle frontale | lamiera frontale | front panel |                |    |    |     |     |            |            | BEN-S             | 40. week<br>09/04 |
|      | 76.5650.01  | 800h    | Frontblech  | tôle frontale | lamiera frontale | front panel |                |    |    |     |     |            |            | BEN               | 06/03             |
|      | 76.5356.01  | Ju/650h | Frontblech  | tôle frontale | lamiera frontale | front panel |                |    | 1  |     |     |            |            |                   | 12/97             |
|      | 76.5289.01  | Ju/650h | Frontblech  | tôle frontale | lamiera frontale | front panel |                |    |    |     | 1   |            |            |                   | 12/97             |
|      | 76.5289.03  | Ju/650h | Frontblech  | tôle frontale | lamiera frontale | front panel |                |    |    |     |     | 1          |            |                   | 12/97             |
|      | 76.5357.01  | Ju/650h | Frontblech  | tôle frontale | lamiera frontale | front panel |                |    |    |     |     |            | 1          |                   | 12/97             |
|      | 76.5356.02  | Ju/750h | Frontblech  | tôle frontale | lamiera frontale | front panel |                |    | 1  |     |     |            |            |                   | 12/97             |
|      | 76.5289.02  | Ju/750h | Frontblech  | tôle frontale | lamiera frontale | front panel |                |    |    |     | 1   |            |            |                   | 12/97             |
|      | 76.5289.04  | Ju/750h | Frontblech  | tôle frontale | lamiera frontale | front panel |                |    |    |     |     | 1          |            |                   | 12/97             |
|      | 76.5357.02  | Ju/750h | Frontblech  | tôle frontale | lamiera frontale | front panel |                |    |    |     |     |            | 1          |                   | 12/97             |

| Doc. No.   | Index | Issue | DE          | FR         | IT           | GB       | Seite/ Page/ Pagina/ Page |  |  |  |  |  |  |
|------------|-------|-------|-------------|------------|--------------|----------|---------------------------|--|--|--|--|--|--|
| 76.9274.50 |       | 12/97 | Baugruppe   | Unité      | Unità        | Unit     | 9                         |  |  |  |  |  |  |
|            |       |       | Verschalung | revêtement | rivestimento | paneling |                           |  |  |  |  |  |  |

| Pos. | Product No. |            | Bezeichnung | Désignation   | Designazione      | Designation | BON/BEN/(J)PEN |     |            |     |            |            |            |     | Intro-<br>duction |
|------|-------------|------------|-------------|---------------|-------------------|-------------|----------------|-----|------------|-----|------------|------------|------------|-----|-------------------|
|      |             |            |             |               |                   |             | 40             | 60  | 80         | 100 | 150        | 200        | 300        | 400 |                   |
| 7    | 76.5223.01  | F/700h     | Rückwand    | paroi arrière | parete posteriore | rear panel  | BON            |     |            |     |            |            |            |     | 12/97             |
|      | 76.5224.01  | F/700h     | Rückwand    | paroi arrière | parete posteriore | rear panel  |                | BON |            |     |            |            |            |     | 12/97             |
|      | 76.5225.01  | F/700h     | Rückwand    | paroi arrière | parete posteriore | rear panel  |                |     | BON        | BON |            |            |            |     | 12/97             |
|      | 76.5226.01  | F/700h     | Rückwand    | paroi arrière | parete posteriore | rear panel  |                |     |            |     | BON        |            |            |     | 12/97             |
|      | 76.5224.01  | F/700h     | Rückwand    | paroi arrière | parete posteriore | rear panel  |                |     | BEN<br>PEN |     |            |            |            |     | 12/97             |
|      | 76.5227.01  | F/700h     | Rückwand    | paroi arrière | parete posteriore | rear panel  |                |     |            |     | BEN<br>PEN | BEN<br>PEN |            |     | 12/97             |
|      | 76.5138.01  | F/700h     | Rückwand    | paroi arrière | parete posteriore | rear panel  |                |     |            |     |            |            | BEN<br>PEN |     | 12/97             |
|      | 76.5228.01  | F/700h     | Rückwand    | paroi arrière | parete posteriore | rear panel  |                |     |            |     |            |            |            | BEN | 12/97             |
|      | 76.5223.02  | F/800h     | Rückwand    | paroi arrière | parete posteriore | rear panel  | BON            |     |            |     |            |            |            |     | 12/97             |
|      | 76.5224.02  | F/800h     | Rückwand    | paroi arrière | parete posteriore | rear panel  |                | BON |            |     |            |            |            |     | 12/97             |
|      | 76.5225.02  | F/800h     | Rückwand    | paroi arrière | parete posteriore | rear panel  |                |     | BON        | BON |            |            |            |     | 12/97             |
|      | 76.5226.02  | F/800h     | Rückwand    | paroi arrière | parete posteriore | rear panel  |                |     |            |     | BON        |            |            |     | 12/97             |
|      | 76.5224.02  | F/800h     | Rückwand    | paroi arrière | parete posteriore | rear panel  |                |     | BEN<br>PEN |     |            |            |            |     | 12/97             |
|      | 76.5227.02  | F/800h     | Rückwand    | paroi arrière | parete posteriore | rear panel  |                |     |            |     | BEN<br>PEN | BEN<br>PEN |            |     | 12/97             |
|      | 76.5138.02  | F/800h     | Rückwand    | paroi arrière | parete posteriore | rear panel  |                |     |            |     |            |            | BEN<br>PEN |     | 12/97             |
|      | 76.5228.02  | F/800h     | Rückwand    | paroi arrière | parete posteriore | rear panel  |                |     |            |     |            |            |            | BEN | 12/97             |
| 7    | 76.1174.01  | N/B/700h/L | Rückwand    | paroi arrière | parete posteriore | rear panel  | BON            |     |            |     |            |            |            |     | 12/97             |
|      | 76.1189.01  | N/B/700h/R | Rückwand    | paroi arrière | parete posteriore | rear panel  | BON            |     |            |     |            |            |            |     | 12/97             |
|      | 76.1174.02  | N/B/700h/L | Rückwand    | paroi arrière | parete posteriore | rear panel  |                | BON |            |     |            |            |            |     | 12/97             |
|      | 76.1189.02  | N/B/700h/R | Rückwand    | paroi arrière | parete posteriore | rear panel  |                | BON |            |     |            |            |            |     | 12/97             |
|      | 76.1174.03  | N/B/700h/L | Rückwand    | paroi arrière | parete posteriore | rear panel  |                |     | BON        | BON |            |            |            |     | 12/97             |
|      | 76.1189.03  | N/B/700h/R | Rückwand    | paroi arrière | parete posteriore | rear panel  |                |     | BON        | BON |            |            |            |     | 12/97             |
|      | 76.1174.04  | N/B/700h/L | Rückwand    | paroi arrière | parete posteriore | rear panel  |                |     |            |     | BON        |            |            |     | 12/97             |
|      | 76.1189.04  | N/B/700h/R | Rückwand    | paroi arrière | parete posteriore | rear panel  |                |     |            |     | BON        |            |            |     | 12/97             |
|      | 76.1174.02  | N/B/700h/L | Rückwand    | paroi arrière | parete posteriore | rear panel  |                |     | BEN<br>PEN |     |            |            |            |     | 12/97             |
|      | 76.1189.02  | N/B/700h/R | Rückwand    | paroi arrière | parete posteriore | rear panel  |                |     | BEN<br>PEN |     |            |            |            |     | 12/97             |

| Doc. No.   | Index | Issue | DE          | FR         | IT           | GB       | Seite/ Page/ Pagina/ Page |  |  |  |  |  |
|------------|-------|-------|-------------|------------|--------------|----------|---------------------------|--|--|--|--|--|
| 76.9274.50 |       | 12/97 | Baugruppe   | Unité      | Unità        | Unit     | 10                        |  |  |  |  |  |
|            |       |       | Verschalung | revêtement | rivestimento | paneling |                           |  |  |  |  |  |

| Pos. | Product No. |            | Bezeichnung | Désignation   | Designazione      | Designation | BON/BEN/(J)PEN |     |            |     |            |            |            |     | Introduction |
|------|-------------|------------|-------------|---------------|-------------------|-------------|----------------|-----|------------|-----|------------|------------|------------|-----|--------------|
|      |             |            |             |               |                   |             | 40             | 60  | 80         | 100 | 150        | 200        | 300        | 400 |              |
| 7    | 76.1174.05  | N/B/700h/L | Rückwand    | paroi arrière | parete posteriore | rear panel  |                |     |            |     | BEN<br>PEN | BEN<br>PEN |            |     | 12/97        |
|      | 76.1189.05  | N/B/700h/R | Rückwand    | paroi arrière | parete posteriore | rear panel  |                |     |            |     | BEN<br>PEN | BEN<br>PEN |            |     | 12/97        |
|      | 76.1174.06  | N/B/700h/L | Rückwand    | paroi arrière | parete posteriore | rear panel  |                |     |            |     |            |            | BEN<br>PEN |     | 12/97        |
|      | 76.1189.06  | N/B/700h/R | Rückwand    | paroi arrière | parete posteriore | rear panel  |                |     |            |     |            |            | BEN<br>PEN |     | 12/97        |
|      | 76.1174.07  | N/B/700h/L | Rückwand    | paroi arrière | parete posteriore | rear panel  |                |     |            |     |            |            |            | BEN | 12/97        |
|      | 76.1189.07  | N/B/700h/R | Rückwand    | paroi arrière | parete posteriore | rear panel  |                |     |            |     |            |            |            | BEN | 12/97        |
| 7    | 76.1174.11  | N/B/700h/L | Rückwand    | paroi arrière | parete posteriore | rear panel  | BON            |     |            |     |            |            |            |     | 12/97        |
|      | 76.1189.11  | N/B/700h/R | Rückwand    | paroi arrière | parete posteriore | rear panel  | BON            |     |            |     |            |            |            |     | 12/97        |
|      | 76.1174.12  | N/B/700h/L | Rückwand    | paroi arrière | parete posteriore | rear panel  |                | BON |            |     |            |            |            |     | 12/97        |
|      | 76.1189.12  | N/B/700h/R | Rückwand    | paroi arrière | parete posteriore | rear panel  |                | BON |            |     |            |            |            |     | 12/97        |
|      | 76.1174.13  | N/B/700h/L | Rückwand    | paroi arrière | parete posteriore | rear panel  |                |     | BON        | BON |            |            |            |     | 12/97        |
|      | 76.1189.13  | N/B/700h/R | Rückwand    | paroi arrière | parete posteriore | rear panel  |                |     | BON        | BON |            |            |            |     | 12/97        |
|      | 76.1174.14  | N/B/700h/L | Rückwand    | paroi arrière | parete posteriore | rear panel  |                |     |            |     | BON        |            |            |     | 12/97        |
|      | 76.1189.14  | N/B/700h/R | Rückwand    | paroi arrière | parete posteriore | rear panel  |                |     |            |     | BON        |            |            |     | 12/97        |
|      | 76.1174.12  | N/B/700h/L | Rückwand    | paroi arrière | parete posteriore | rear panel  |                |     | BEN<br>PEN |     |            |            |            |     | 12/97        |
|      | 76.1189.12  | N/B/700h/R | Rückwand    | paroi arrière | parete posteriore | rear panel  |                |     | BEN<br>PEN |     |            |            |            |     | 12/97        |
|      | 76.1174.15  | N/B/700h/L | Rückwand    | paroi arrière | parete posteriore | rear panel  |                |     |            |     | BEN<br>PEN | BEN<br>PEN |            |     | 12/97        |
|      | 76.1189.15  | N/B/700h/R | Rückwand    | paroi arrière | parete posteriore | rear panel  |                |     |            |     | BEN<br>PEN | BEN<br>PEN |            |     | 12/97        |
|      | 76.1174.16  | N/B/700h/L | Rückwand    | paroi arrière | parete posteriore | rear panel  |                |     |            |     |            |            | BEN<br>PEN |     | 12/97        |
|      | 76.1189.16  | N/B/700h/R | Rückwand    | paroi arrière | parete posteriore | rear panel  |                |     |            |     |            |            | BEN<br>PEN |     | 12/97        |
|      | 76.1174.17  | N/B/700h/L | Rückwand    | paroi arrière | parete posteriore | rear panel  |                |     |            |     |            |            |            | BEN | 12/97        |
|      | 76.1189.17  | N/B/700h/R | Rückwand    | paroi arrière | parete posteriore | rear panel  |                |     |            |     |            |            |            | BEN | 12/97        |

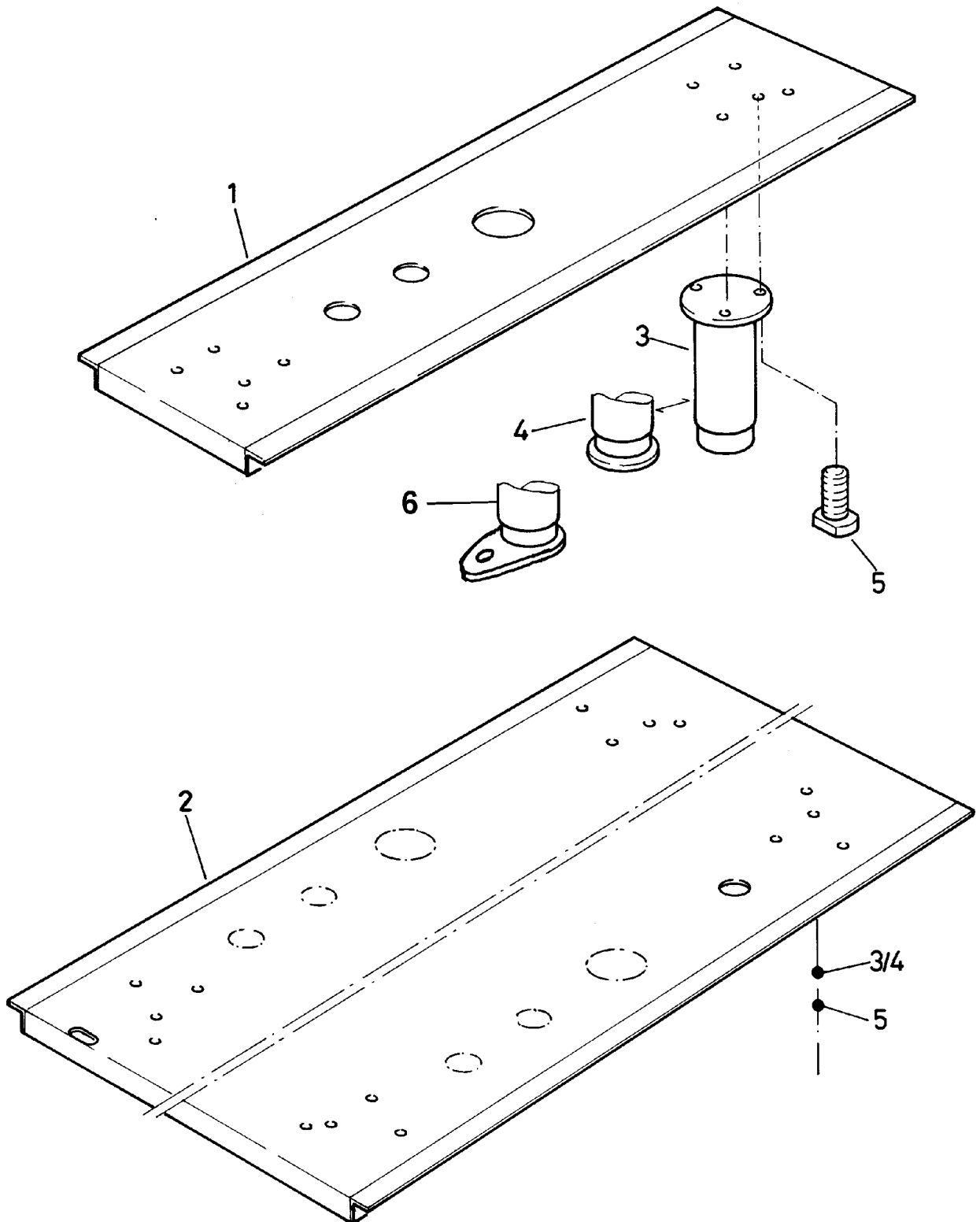


| Doc. No.   | Index | Issue | DE           | FR         | IT           | GB       | Seite/ Page/ Pagina/ Page |  |  |  |
|------------|-------|-------|--------------|------------|--------------|----------|---------------------------|--|--|--|
| 76.9274.50 |       | 12/99 | Baugruppe    | Unité      | Unità        | Unit     | 11                        |  |  |  |
|            |       |       | Verschaltung | revêtement | rivestimento | paneling |                           |  |  |  |

| Pos. | Product No. |          | Bezeichnung | Désignation   | Designazione      | Designation | BON/BEN/PEN |     |            |     |            |            |            | Intro-<br>duction |       |
|------|-------------|----------|-------------|---------------|-------------------|-------------|-------------|-----|------------|-----|------------|------------|------------|-------------------|-------|
|      |             |          |             |               |                   |             | 40          | 60  | 80         | 100 | 150        | 200        | 300        |                   | 400   |
| 7    | 76.5229.01  | N/E/700h | Rückwand    | paroi arrière | parete posteriore | rear panel  | BON         |     |            |     |            |            |            |                   | 12/99 |
|      | 76.5229.02  | N/E/800h | Rückwand    | paroi arrière | parete posteriore | rear panel  | BON         |     |            |     |            |            |            |                   | 12/99 |
|      | 76.5230.01  | N/E/700h | Rückwand    | paroi arrière | parete posteriore | rear panel  |             | BON | BEN<br>PEN |     |            |            |            |                   | 12/99 |
|      | 76.5230.02  | N/E/800h | Rückwand    | paroi arrière | parete posteriore | rear panel  |             | BON | BEN<br>PEN |     |            |            |            |                   | 12/99 |
|      | 76.5231.01  | N/E/700h | Rückwand    | paroi arrière | parete posteriore | rear panel  |             |     | BON        | BON |            |            |            |                   | 12/99 |
|      | 76.5231.02  | N/E/800h | Rückwand    | paroi arrière | parete posteriore | rear panel  |             |     | BON        | BON |            |            |            |                   | 12/99 |
|      | 76.5232.01  | N/E/700h | Rückwand    | paroi arrière | parete posteriore | rear panel  |             |     |            |     | BON        |            |            |                   | 12/99 |
|      | 76.5232.02  | N/E/800h | Rückwand    | paroi arrière | parete posteriore | rear panel  |             |     |            |     | BON        |            |            |                   | 12/99 |
|      | 76.5233.01  | N/E/700h | Rückwand    | paroi arrière | parete posteriore | rear panel  |             |     |            |     | BEN<br>PEN | BEN<br>PEN |            |                   | 12/99 |
|      | 76.5233.02  | N/E/800h | Rückwand    | paroi arrière | parete posteriore | rear panel  |             |     |            |     | BEN<br>PEN | BEN<br>PEN |            |                   | 12/99 |
|      | 76.5234.01  | N/E/700h | Rückwand    | paroi arrière | parete posteriore | rear panel  |             |     |            |     |            |            | BEN<br>PEN |                   | 12/99 |
|      | 76.5234.02  | N/E/800h | Rückwand    | paroi arrière | parete posteriore | rear panel  |             |     |            |     |            |            | BEN<br>PEN |                   | 12/99 |
|      | 76.5235.01  | N/E/700h | Rückwand    | paroi arrière | parete posteriore | rear panel  |             |     |            |     |            |            |            | BEN<br>PEN        | 12/99 |
|      | 76.5235.02  | N/E/800h | Rückwand    | paroi arrière | parete posteriore | rear panel  |             |     |            |     |            |            |            | BEN<br>PEN        | 12/99 |

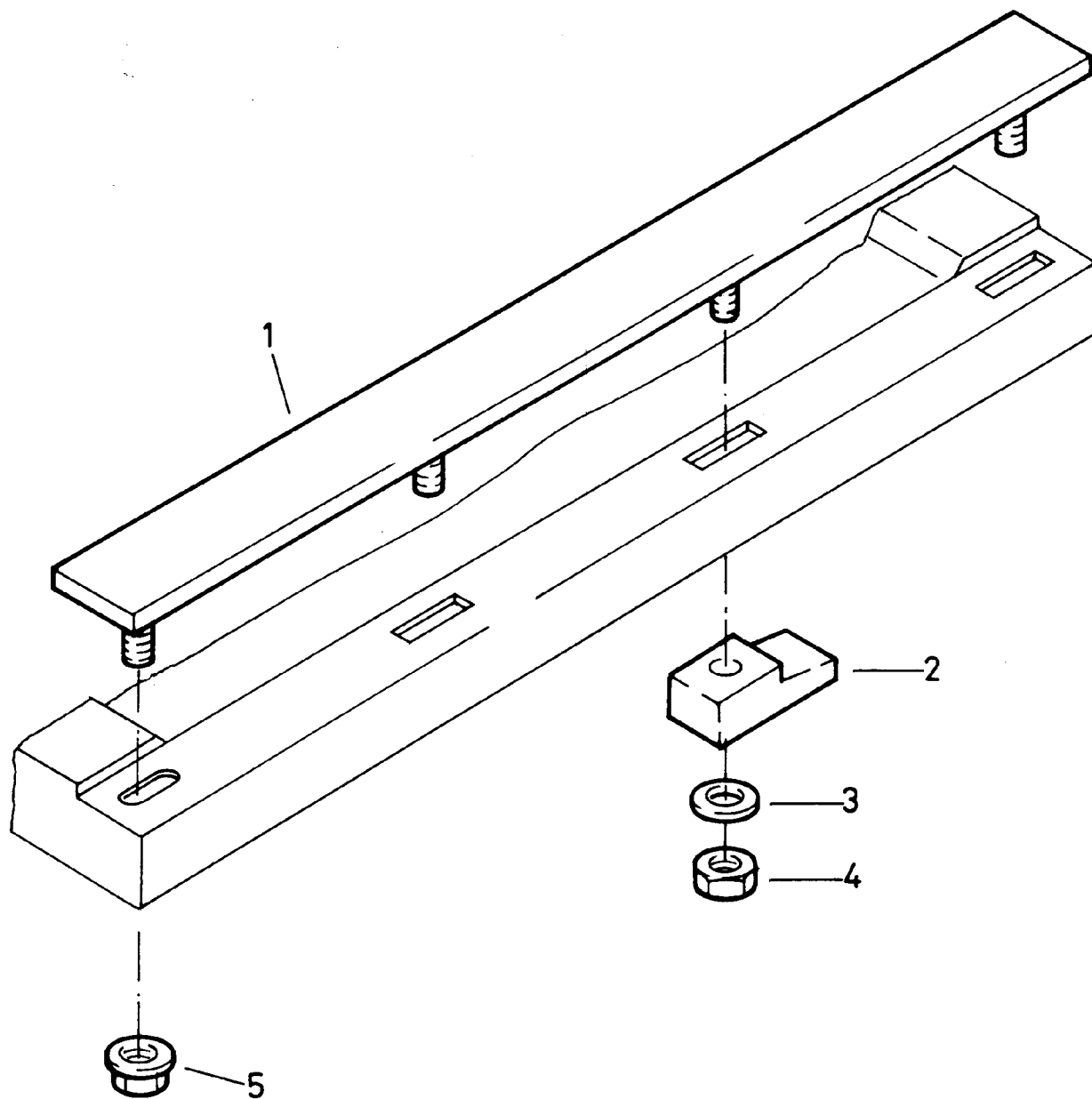
| Doc. No.   | Index | Issue | DE               | FR           | IT           | GB          | Seite/ Page/ Pagina/ Page |
|------------|-------|-------|------------------|--------------|--------------|-------------|---------------------------|
| 76.9274.50 |       | 12/97 | <b>Baugruppe</b> | <b>Unité</b> | <b>Unità</b> | <b>Unit</b> | <b>12</b>                 |
|            |       |       | Verschalung      | revêtement   | rivestimento | paneling    |                           |

|           | Erklärung              | explication             | spiegazione                 | explanation            |
|-----------|------------------------|-------------------------|-----------------------------|------------------------|
| W         | Wandbefestigung        | montage mural           | montaggio a muro            | wall mounted           |
| S         | Standmontage           | montage au sol          | montaggio a pavimento       | floor mounting         |
| F         | freistehend            | isolé                   | isolato                     | free standing          |
| N         | an Wand                | contre cloison          | contro la parete            | against wall           |
| T         | mit Füßen              | avec pieds              | con piede                   | with feet              |
| A         | alle Aufstellungsarten | toutes variantes        | tutte varinti               | all variants           |
| Hy        | Hygienemodell          | modèle hygiénique       | modello igienico            | hygienic model         |
| mR        | mit Rückwand           | avec paroi arrière      | con parete posteriore       | with rear panel        |
| B         | Anschluss vom Boden    | raccordement au sol     | raccordo dal pavimento      | connection from bottom |
| E         | Anschluss von Wand     | raccordement au cloison | raccordo dalla parete       | connection from wall   |
| 800-900   | Gerätetiefe            | profondeur d'appareil   | profondità dell'apparecchio | appliance depth        |
| 650h-800h | Gerätehöhe             | hauteur d'appareil      | altezza dell'apparecchio    | appliance height       |
| L         | links                  | gauche                  | sinistra                    | left                   |
| R         | rechts                 | droit                   | destra                      | right                  |
| Ju        | Ausführung Juno        | modèle Juno             | modello Juno                | model Juno             |
| RW        | Rührwerk               | melangeur               | mescolatore                 | stirring system        |
| 2G        | 2 Geräte zusammen      | 2 appareils ensemble    | 2 apparecchi insieme        | 2 appl. together       |
| oW        | ohne Seitenwand        | sans paroi latérale     | senza parete laterale       | without side panel     |
| P         | Steuerung              | commande                | comando                     | control system         |
| C         | Prozess Comfort        |                         |                             |                        |
| H         | Handsteuerung          | commande manuelle       | regolazione a mano          | manual control         |
| S         | Hauptschalter          | interrupteur principal  | interruttore generale       | main interruptor       |



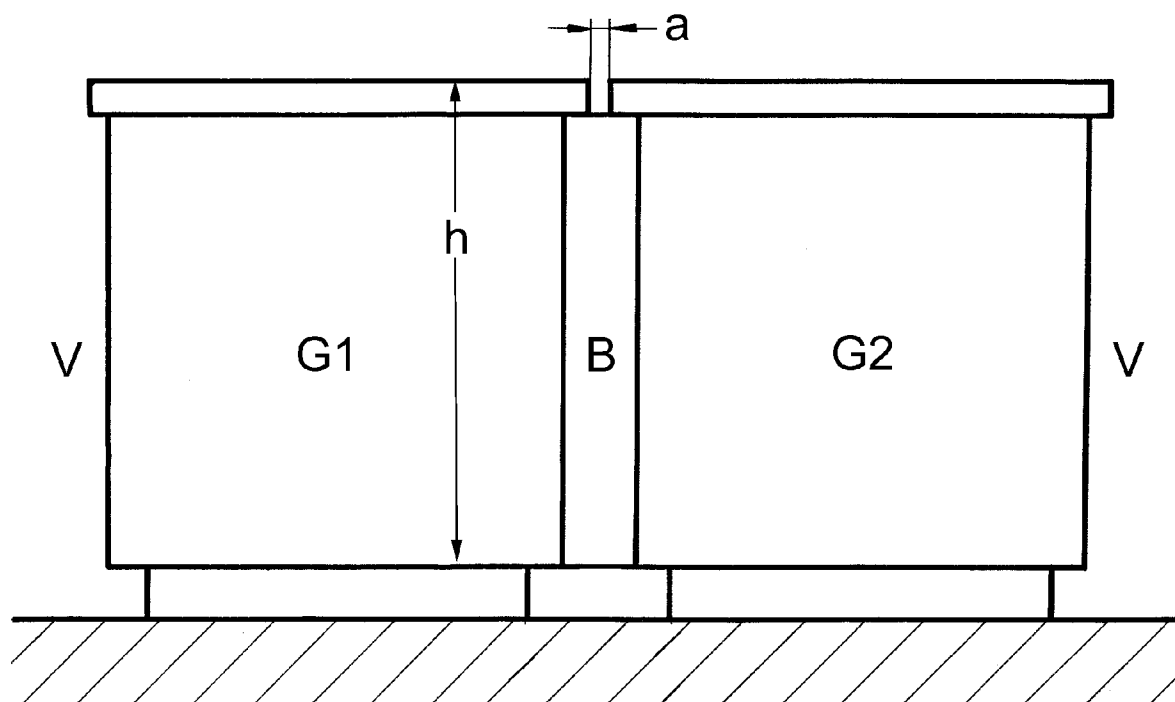
| Doc. No.   | Index | Issue | DE        | FR    | IT    | GB   | Seite/ Page/ Pagina/ Page |
|------------|-------|-------|-----------|-------|-------|------|---------------------------|
| 76.9274.51 |       | 06/98 | Baugruppe | Unité | Unità | Unit | 1                         |
|            |       |       | Füsse     | pieds | piede | feet |                           |

| Pos. | Product No. | Bezeichnung | Désignation    | Designatione     | Designation | BEN/PEN                |       | Introduction |
|------|-------------|-------------|----------------|------------------|-------------|------------------------|-------|--------------|
|      |             |             |                |                  |             |                        |       |              |
| 1    | 76.5197.06  | Bodenplatte | plaque de fond | placca del suolo | base plate  | <b>BEN/PEN-080</b>     |       | 06/98        |
|      | 76.5212.06  | Bodenplatte | plaque de fond | placca del suolo | base plate  | <b>BEN/PEN-150/200</b> |       | 06/98        |
|      | 76.5213.06  | Bodenplatte | plaque de fond | placca del suolo | base plate  | <b>BEN/PEN-300</b>     |       | 06/98        |
|      | 76.5222.06  | Bodenplatte | plaque de fond | placca del suolo | base plate  | <b>BEN-400</b>         |       | 06/98        |
| 3    | 72.4344     | Fuss        | ped            | piede            | foot        |                        | 100mm | 06/98        |
|      | 72.4249     | Fuss        | ped            | piede            | foot        |                        | 200mm | 06/98        |
| 4    | 72.4351     | Fuss        | ped            | piede            | foot        | Marine                 | 100mm | 06/98        |
|      | 72.4250     | Fuss        | ped            | piede            | foot        | Marine                 | 200mm | 06/98        |
| 5    | 75.5006.06  | Schraube    | vis            | vite             | screw       |                        | M4    | 06/98        |
| 6    | 72.4351.02  | Fuss        | ped            | piede            | foot        | Marine                 | 100mm | 04/00        |
|      |             | Fuss        | ped            | piede            | foot        | Marine                 | 200mm | 04/00        |



| Doc. No.   | Index | Issue | DE                      | FR                 | IT                    | GB                | Seite/ Page/ Pagina/ Page |  |  |
|------------|-------|-------|-------------------------|--------------------|-----------------------|-------------------|---------------------------|--|--|
| 76.9274.52 | 1     | 09.97 | Baugruppe               | Unité              | Unità                 | Unit              | 1                         |  |  |
|            |       |       | Verbindungs-<br>schiene | rail intermédiaire | asta<br>coniungimento | intermediate rail |                           |  |  |

| Pos. | Product No.    | Service No. | Bezeichnung                                                                          | Désignation                                                                                  | Designazione                                                                                            | Designation                                                                               | Type    |     |  | Introduction |
|------|----------------|-------------|--------------------------------------------------------------------------------------|----------------------------------------------------------------------------------------------|---------------------------------------------------------------------------------------------------------|-------------------------------------------------------------------------------------------|---------|-----|--|--------------|
| 1-5  | 76.2227        |             | Endschiene                                                                           | rail terminal                                                                                | asta finale                                                                                             | end rail                                                                                  | 800     | 1   |  | 10/00        |
|      | 76.2229        |             | Endschiene                                                                           | rail terminal                                                                                | asta finale                                                                                             | end rail                                                                                  | 900     | 1   |  | 10/00        |
|      | 71.0575        |             | Endschiene                                                                           | rail terminal                                                                                | asta finale                                                                                             | end rail                                                                                  | 1000    | 1   |  | 06/82        |
|      | 76.2228        |             | Zwischenschiene                                                                      | rail d'assemblage                                                                            | asta di congiungimento                                                                                  | intermediate rail                                                                         | 800     | 1   |  | 10/00        |
|      | 76.2230        |             | Zwischenschiene                                                                      | rail d'assemblage                                                                            | asta di congiungimento                                                                                  | intermediate rail                                                                         | 900     | 1   |  | 10/00        |
|      | 76.2142.01     |             | Zwischenschiene<br>mit Ausschnitt<br>Länge rechts 1000<br>Länge links 900            | rail d'assemblage<br>avec découpe<br>longueur droit 1000<br>longueur gauche 900              | asta di congiungimento<br>con foro<br>lunghezza destra 1000<br>lunghezza sinistra 900                   | intermediate rail<br>with cutout<br>length right 1000<br>length left 900                  | 1000    | 1   |  | 08.98        |
|      | 76.2142.02     |             | Zwischenschiene<br>mit Ausschnitt<br>Länge rechts 900<br>Länge links 1000            | rail d'assemblage<br>avec découpe<br>longueur droit 900<br>longueur gauche 1000              | asta di congiungimento<br>con foro<br>lunghezza destra 900<br>lunghezza sinistra 1000                   | intermediate rail<br>with cutout<br>length right 900<br>length left 1000                  | 1000    | 1   |  | 08.98        |
|      | 76.2143.01     |             | Zwischenschiene<br>ohne Ausschnitt<br>Gerät:<br>Länge rechts 1000<br>Länge links 900 | rail d'assemblage<br>sans découpe<br>appareil:<br>longueur droit 1000<br>longueur gauche 900 | asta di congiungimento<br>senza foro<br>apparecchio:<br>lunghezza destra 1000<br>lunghezza sinistra 900 | intermediate rail<br>without cutout<br>appliance:<br>length right 1000<br>length left 900 | 1000    | 1   |  | 08.98        |
|      | 76.2143.02     |             | Zwischenschiene<br>ohne Ausschnitt<br>Gerät:<br>Länge rechts 900<br>Länge links 1000 | rail d'assemblage<br>sans découpe<br>appareil:<br>longueur droit 900<br>longueur gauche 1000 | asta di congiungimento<br>senza foro<br>apparecchio:<br>lunghezza destra 900<br>lunghezza sinistra 1000 | intermediate rail<br>without cutout<br>appliance:<br>length right 900<br>length left 1000 | 1000    | 1   |  | 08.98        |
| 2    | 705 040 074    |             | Keil                                                                                 | clavette                                                                                     | cuneo                                                                                                   | wedge                                                                                     |         | 3/6 |  | 06/82        |
| 3    | 1701 5047      |             | Federring                                                                            | anneau de ressort                                                                            | anello di molla                                                                                         | spring ring                                                                               | M6      | 3/6 |  | 06/82        |
| 4    | 1701 3016      | 1101 8572   | Mutter                                                                               | écrou                                                                                        | dado                                                                                                    | nut                                                                                       | M6/0.8d | 3/6 |  | 06/82        |
| 5    | 712 044 120.06 | 1101 8577   | Mutter                                                                               | écrou                                                                                        | dado                                                                                                    | nut                                                                                       | M6      | 3/6 |  | 06/82        |

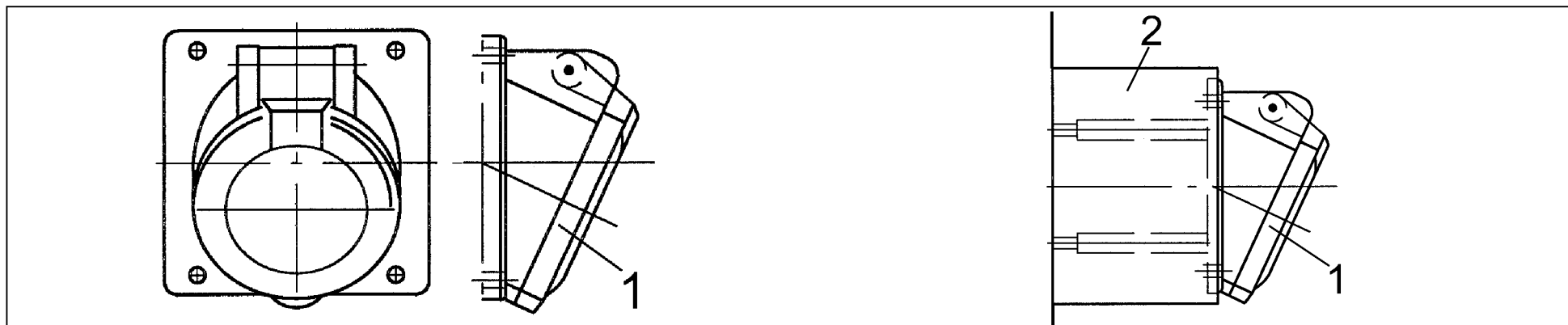


|    | <b>Erklärung</b>        | <b>explication</b>     | <b>spiegazione</b>          | <b>explanation</b>     |
|----|-------------------------|------------------------|-----------------------------|------------------------|
| B  | Blende                  | bandeau                | copertura                   | filler                 |
| G1 | Gerät auf linker Seite  | appareil à côté gauche | apparecchio a sinistra      | appliance on the left  |
| G2 | Gerät auf rechter Seite | appareil à côté droite | apparecchio a destra        | appliance on the right |
| V  | Vorderseite             | avant                  | parte frontale              | front                  |
| h  | Gerätehöhe mm           | hauteur d'appareil mm  | altezza dell'apparecchio mm | appliance height mm    |
| a  | Abstand mm              | distance mm            | distanza mm                 | distance mm            |
| SK | Standkochkessel         | marmite fixe           | pentola                     | stationary boiling pan |
| KA | Kippapparat             | appareil basculant     | apparecchio ribaltabile     | tilting appliance      |
| HE | Herd                    | fourneau               | cucina                      | range                  |
| ZT | Zwischentisch           | table intermédiaire    | tavolo intermedio           | centre-spreader        |

|                                            |                                         |                                                   |                                            |                            |
|--------------------------------------------|-----------------------------------------|---------------------------------------------------|--------------------------------------------|----------------------------|
| <b>DE</b>                                  | <b>FR</b>                               | <b>IT</b>                                         | <b>GB</b>                                  | <b>76.9274.60</b><br>01/99 |
| <b>Baugruppe</b>                           | <b>Unité</b>                            | <b>Unità</b>                                      | <b>Unit</b>                                | Seite/page/pagina/page     |
| <b>Blende B</b><br>Geräte Rücken an Rücken | <b>Bandeau B</b><br>Appareils dos à dos | <b>Copertura B</b><br>Apparechi schiena a schiena | <b>Filler B</b><br>Appliances back to back | 1                          |

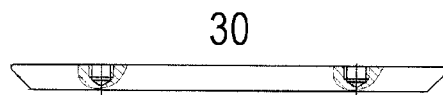
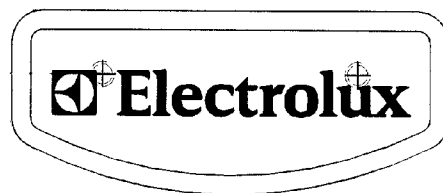
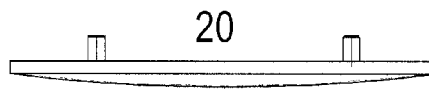
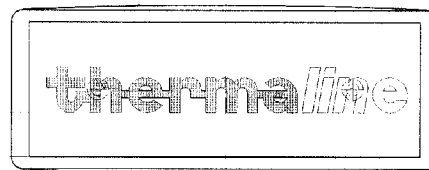
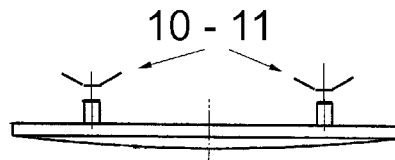
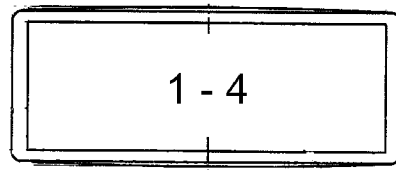
| <b>G1</b> | <b>G2</b> | <b>h</b> | <b>a</b> | <b>B</b>   |
|-----------|-----------|----------|----------|------------|
| KA        | KA        | 800      | 0        | 76.1128.03 |
| KA        | SK        | 800      | 0        | 76.1299.01 |
| KA        | HE        | 800      | 0        | 76.1300.01 |
| HE        | KA        | 800      | 0        | 76.1301.01 |
| KA        | ZT        | 800      | 0        | 76.1128.02 |
| ZT        | KA        | 800      | 0        | 76.1128.02 |
| SK        | SK        | 800      | 0        | 76.5425.01 |
| SK        | KA        | 800      | 0        | 76.1299.01 |
| SK        | HE        | 800      | 0        | 76.5426.01 |
| HE        | SK        | 800      | 0        | 76.5426.01 |
| SK        | ZT        | 800      | 0        | 76.5426.05 |
| ZT        | SK        | 800      | 0        | 76.5426.05 |
|           |           |          |          |            |
| KA        | KA        | 800      | 10       | 76.1128.07 |
| KA        | SK        | 800      | 10       | 76.1299.02 |
| KA        | HE        | 800      | 10       | 76.1300.02 |
| HE        | KA        | 800      | 10       | 76.1301.02 |
| KA        | ZT        | 800      | 10       | 76.1128.09 |
| ZT        | KA        | 800      | 10       | 76.1128.09 |
| SK        | SK        | 800      | 10       | 76.5425.02 |
| SK        | KA        | 800      | 10       | 76.1299.02 |
| SK        | HE        | 800      | 10       | 76.5426.02 |
| HE        | SK        | 800      | 10       | 76.5426.02 |
| SK        | ZT        | 800      | 10       | 76.5426.06 |
| ZT        | SK        | 800      | 10       | 76.5426.06 |
|           |           |          |          |            |
| KA        | KA        | 700      | 0        | 76.1128.06 |
| KA        | SK        | 700      | 0        | 76.1299.03 |
| KA        | HE        | 700      | 0        | 76.1300.03 |
| HE        | KA        | 700      | 0        | 76.1301.03 |
| KA        | ZT        | 700      | 0        | 76.1128.05 |
| ZT        | KA        | 700      | 0        | 76.1128.05 |
| SK        | SK        | 700      | 0        | 76.5425.03 |
| SK        | KA        | 700      | 0        | 76.1299.03 |
| SK        | HE        | 700      | 0        | 76.5426.03 |
| HE        | SK        | 700      | 0        | 76.5426.03 |
| SK        | ZT        | 700      | 0        | 76.5426.07 |
| ZT        | SK        | 700      | 0        | 76.5426.07 |
|           |           |          |          |            |
| KA        | KA        | 700      | 10       | 76.1128.08 |
| KA        | SK        | 700      | 10       | 76.1299.04 |
| KA        | HE        | 700      | 10       | 76.1300.04 |
| HE        | KA        | 700      | 10       | 76.1301.04 |
| KA        | ZT        | 700      | 10       | 76.1128.10 |
| ZT        | KA        | 700      | 10       | 76.1128.10 |
| SK        | SK        | 700      | 10       | 76.5425.04 |
| SK        | KA        | 700      | 10       | 76.1299.04 |
| SK        | HE        | 700      | 10       | 76.5426.04 |
| HE        | SK        | 700      | 10       | 76.5426.04 |
| SK        | ZT        | 700      | 10       | 76.5426.08 |
| ZT        | SK        | 700      | 10       | 76.5426.08 |





| Doc. No.   | Issue | DE                     | FR             | IT                         | GB             | Seite/ Page/ Pagina/<br>Page |
|------------|-------|------------------------|----------------|----------------------------|----------------|------------------------------|
| 76.9274.65 | 07/00 | Baugruppe<br>Steckdose | Unité<br>prise | Unità<br>presa di corrente | Unit<br>socket | 1                            |

| Pos. | Product No. | Service No. | Bezeichnung    | Désignation  | Designazione           | Designation  | Type        | Introduction |
|------|-------------|-------------|----------------|--------------|------------------------|--------------|-------------|--------------|
| 1    | 1115 1443   |             | Steckdose EURO | prise EURO   | presa di corrente EURO | socket EURO  | 16A/3N/400V | 07/00        |
|      | 1115 1444   |             | Steckdose EURO | prise EURO   | presa di corrente EURO | socket EURO  | 32A/3N/400V | 07/00        |
|      | 1115 1579   |             | Steckdose CH   | prise CH     | presa di corrente CH   | socket CH    | 16A/1N/230V | 07/00        |
|      | 1115 1578   |             | Steckdose CH   | prise CH     | presa di corrente CH   | socket CH    | 16A/3N/400V | 07/00        |
| 2    | 1115 1445   |             | Gehäuse EURO   | boîtier EURO | base EURO              | housing EURO |             | 07/00        |



| Pos. | Produkt Nr. | Service Nr. | Bezeichnung         | désignation        | designazione        | designation    |                           |
|------|-------------|-------------|---------------------|--------------------|---------------------|----------------|---------------------------|
|      |             |             | Baugruppe<br>Schild | unité<br>plaquette | unità<br>placchetta | unit<br>label  | 76.9274.100<br>1<br>10.00 |
| 1    | 72.2252     |             | THERMA              |                    |                     |                | 1                         |
| 2    | 72.6384     |             | THERMALINE          |                    |                     |                | 1                         |
| 3    | 76.3177     |             | JUNOLINE            |                    |                     |                | 1                         |
| 4    | 1201 2031   |             | ELECTROLUX          |                    |                     |                | 1                         |
| 10   | 1701 5072   |             | Haltering           | anneau de fixation | anello di sostegno  | retaining ring | Pos. 1÷3<br>2             |
| 11   | 1201 2032   |             | Haltering           | anneau de fixation | anello di sostegno  | retaining ring | Pos. 4<br>2               |
| 20   | 72.6384     |             | THERMALINE          |                    |                     |                | 1                         |
| 30   | 1201 2060   |             | ELECTROLUX          |                    |                     |                | 1                         |

**Ersatzteillisten  
Listes des pièces de rechange  
Liste dei pezzi di ricambio  
Spare parts lists**

**DRUCKKOCHKESSEL  
MARMITES À PRESSION  
PENTOLE A PRESSIONE  
PRESSURE BOILING PANS**

**STRATOS  
JPEN**

**D, F, I, GB**

**76.9274 (10)**